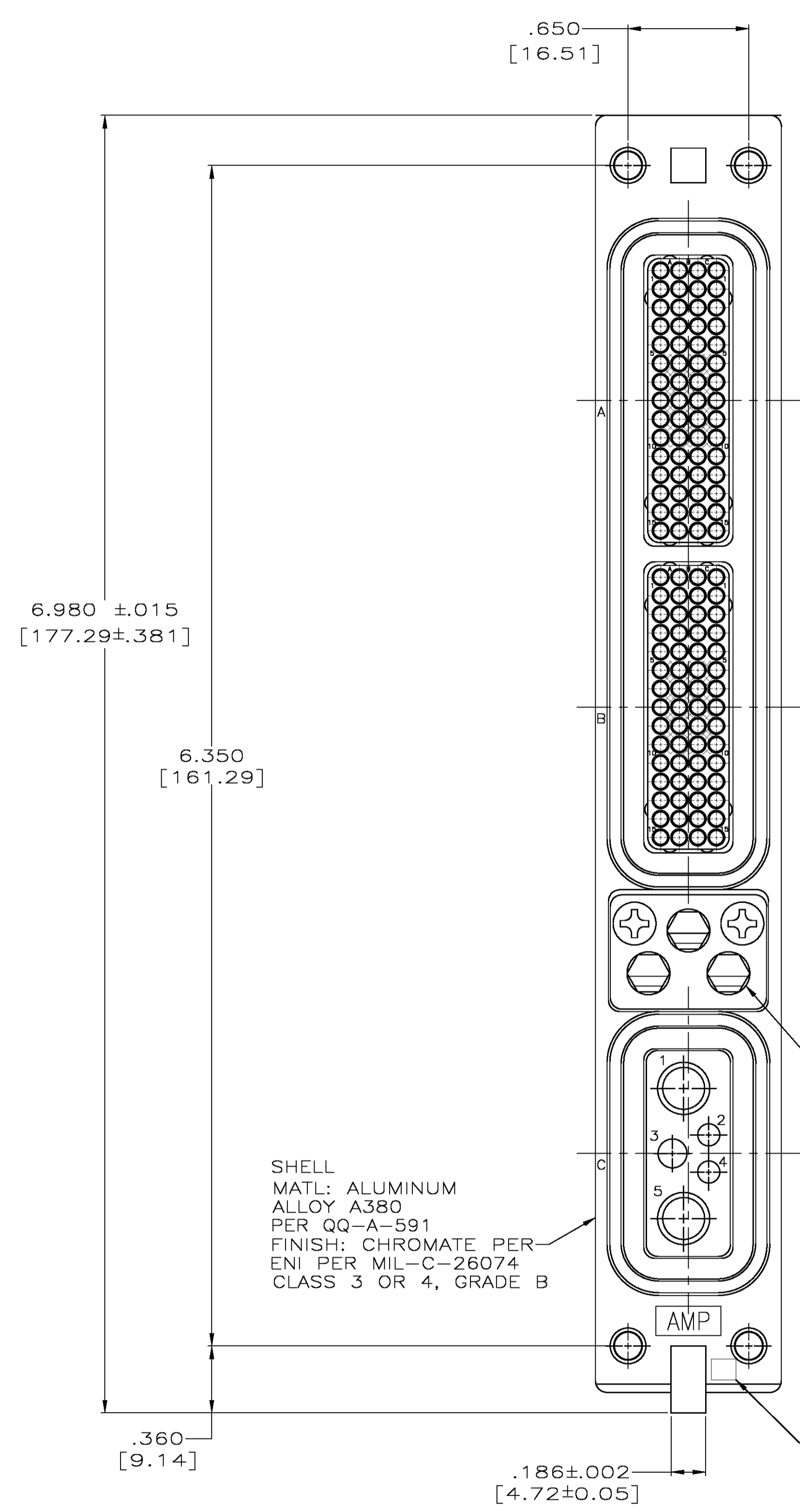
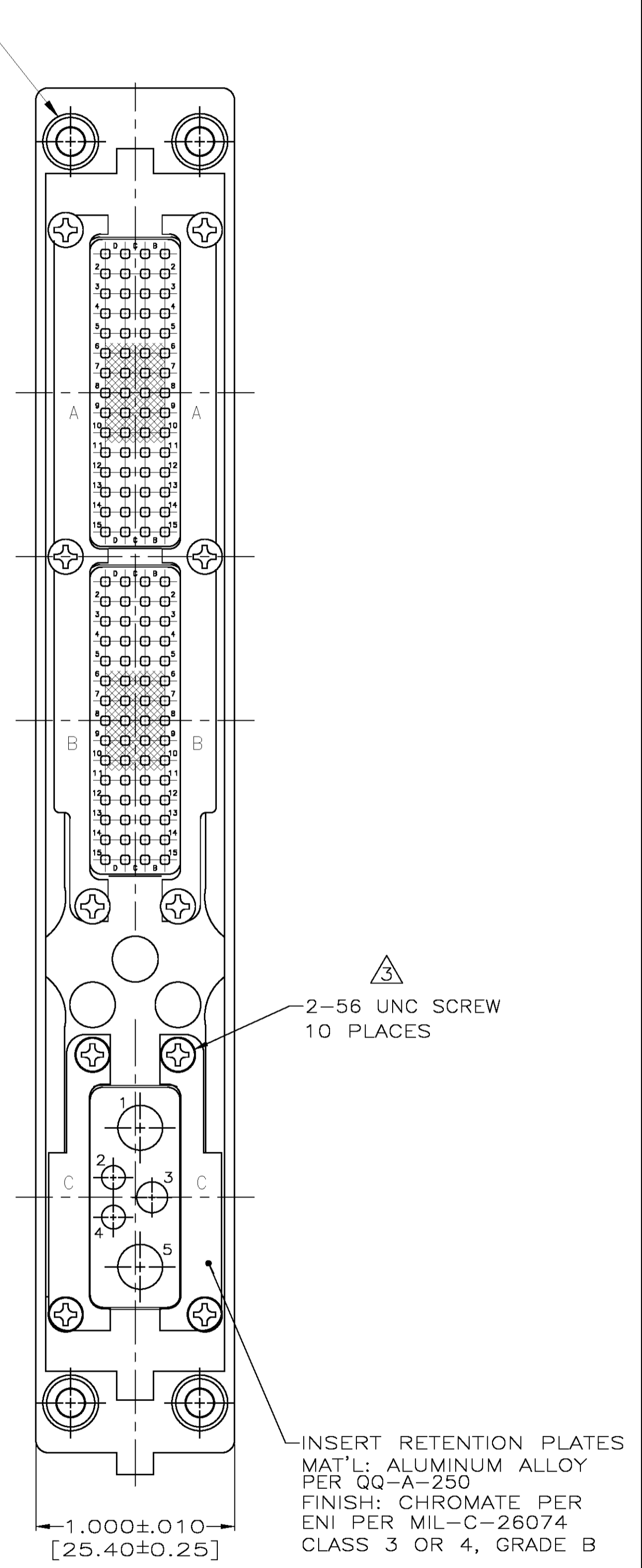
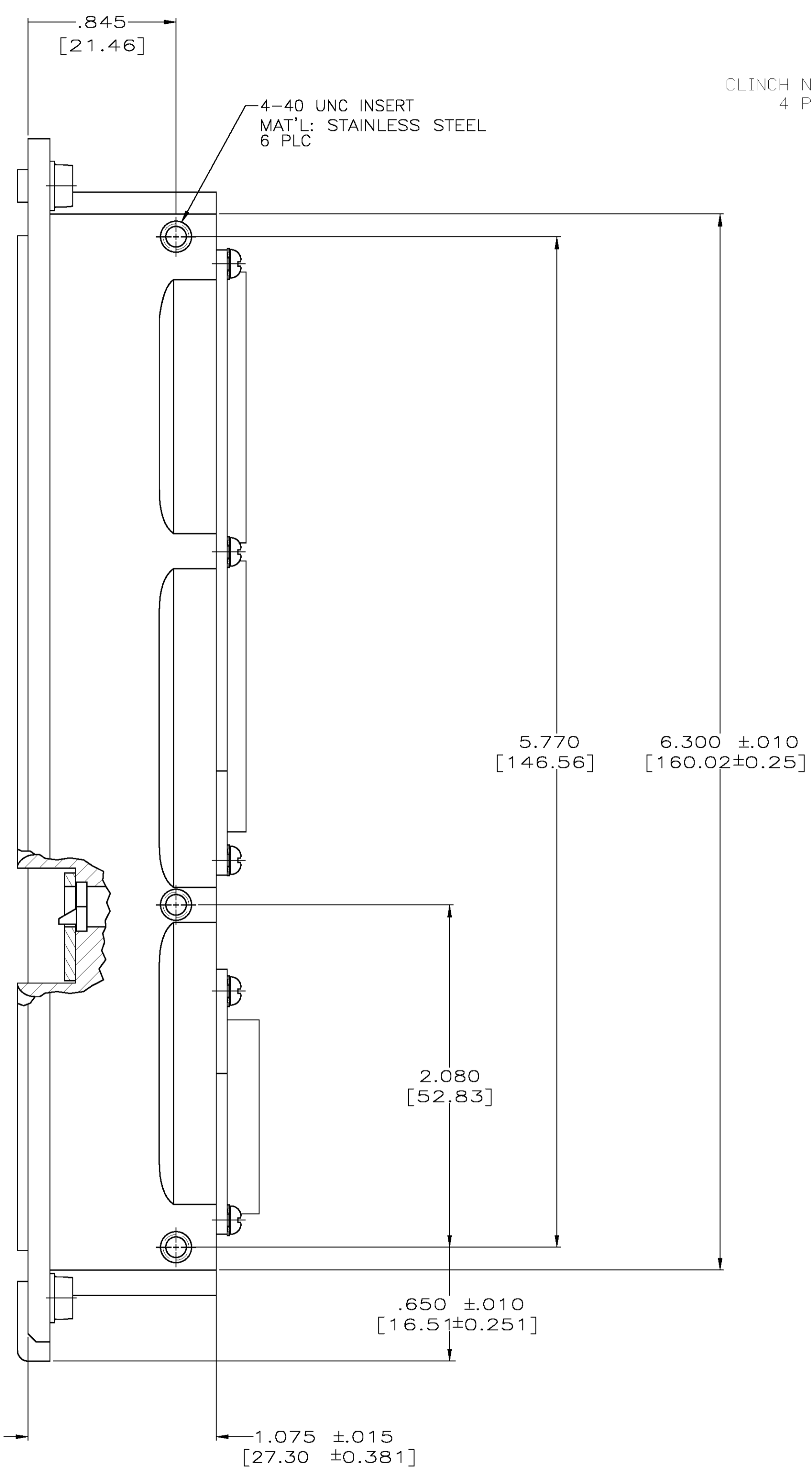


| REVISIONS | | | | |
|-----------|-------------|-------------|---------|-------|
| REV | BY | DESCRIPTION | DATE | APPV |
| D | REV PER ECO | 17-011000 | 7-31-17 | CT EO |



POLARIZATION KEYWAYS
 MAT'L: ZINC ALLOY PER ASTM-B-86
 RETAINER PLATE
 MAT'L: ALUMINUM ALLOY PER AMS-QQ-A-250
 FINISH: BLUE ANODIZED PER MIL-A-8625



- PARTS MEET THE REQUIREMENTS OF THE ARINC 600 SPECIFICATION.
- NO CONTACTS ARE INCLUDED WITH THE CONNECTOR
- RETAINER PLATE SCREWS ARE PAN HEAD STYLE.
- KEYING HARDWARE SUPPLIED UNASSEMBLED.
- DUST COVER (NOT SHOWN) INSTALLED FOR SHIPPING MATERIAL: CONDUCTIVE THERMOPLASTIC.

| NOTES | REAR RELEASE 13C2 PIN C MODULE | FRONT RELEASE 60 SOCKET B MODULE | FRONT RELEASE 60 SOCKET A MODULE | 448705-1 PART NUMBER |
|--|--------------------------------|---|----------------------------------|--|
| THIS DRAWING IS A CONTROLLED DOCUMENT. | | | | |
| DIMENSIONS: INCHES | | TOLERANCES UNLESS OTHERWISE SPECIFIED: | | DWN: N. FRITZ 12-3-92 CHK: S. WRIGHT 12-4-92 APVD: - NAME: - PRODUCT SPEC: - APPLICATION SPEC: - SIZE: - CAGE CODE: - DRAWING NO: A1 00779 WEIGHT: 0.000000 CUSTOMER DRAWING |
| 0 PLC ± - 1 PLC ± - 2 PLC ± - 3 PLC ± 0.005 [0.13] 4 PLC ± - ANGLES ± - | | SIZE: A1 CAGE CODE: 00779 DRAWING NO: 448705 SCALE: 2:1 SHEET: 1 OF 1 REV: D | | |