

Dialight

556 Series

High Intensity LED Panel Mount Indicators for 1" Mounting Hole for 37.5, 72 and 125 VDC

Watertight - NEMA4X IP66



FEATURES / BENEFITS

- ▲ Daylight viewable
- ▲ Safety standards - UL and NEMA
- ▲ Tamperproof / Designed for high durability
- ▲ Long life, lasting up to 100k hours
- ▲ Uniform illumination - multi-LED construction
- ▲ Lens options:
 - Low profile flat
 - Wide angle domed

APPLICATIONS

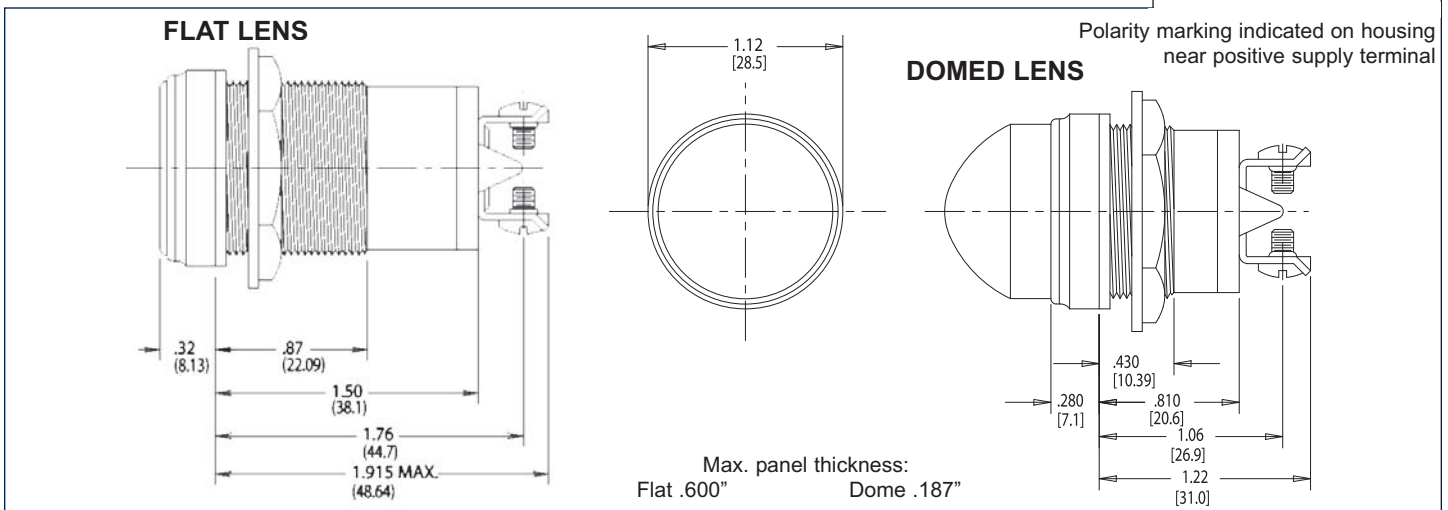
The 556 Series LED Panel Mount Indicators incorporate both InGaN and AlInGaP technologies to offer higher intensities. This is a highly durable package, designed to withstand outdoor applications susceptible to rain, dust and sunlight.

- Instrument panels
 - Safety applications
 - Vending, gaming
 - Lane control
 - Display lighting
 - Transportation - rail, bus, airline
- ... and many more!

SPECIFICATIONS

- ▲ Available in red, yellow and green
- ▲ Voltage range of 37.5, 72 and 125 VDC
- ▲ Watertight seal from front of panel meets NEMA 4X IP66
 - Maximum Mounting Torque - 40 in./lb.
- ▲ Housing material: Nickel plated brass
- ▲ Lens material: Polycarbonate 94 - VO

- ▲ UL recognized - File #E156890
- ▲ Front mounting in 1" clearance hole
- ▲ Operating temperature: -30°C to +85°C
- ▲ Storage temperature: -40°C to +100°C



Please see back of page for part numbers and additional specifications.

Dialight reserves the right to make changes at any time in order to supply the best product possible.

Dialight Corporation

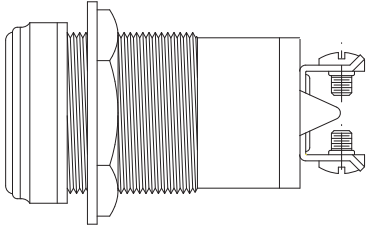
1501 Route 34 South • Farmingdale, NJ 07727 USA

Tel: (1) 732-919-3119 • Fax: (1) 732-751-5778 • www.dialight.com

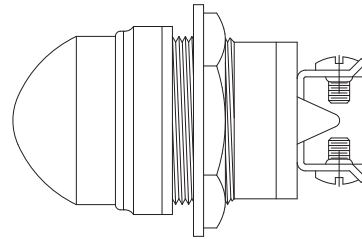


MDEL556X002_D

FLAT LENS - 37.5, 72 & 125 VDC



DOME LENS - 37.5, 72 & 125 VDC



PART NUMBER	COLOR	VOLTAGE (VDC)	TYPICAL CURRENT (mA)	TYPICAL LUMINANCE (fL)
556-1508-304F	Red	37.5	20	2600
556-1608-304F	Green	37.5	16	4000
556-1708-304F	Yellow	37.5	20	2600
556-1506-304F	Red	72	18.5	1800
556-1606-304F	Green	72	16	1800
556-1706-304F	Yellow	72	20	1000
556-1507-304F	Red	125	10	700
556-1607-304F	Green	125	10	1000
556-1707-304F	Yellow	125	10	700

PART NUMBER	COLOR	VOLTAGE (VDC)	TYPICAL CURRENT (mA)	TYPICAL LUMINANCE (fL)
556-3508-304F	Red	37.5	20	1000
556-3608-304F	Green	37.5	16	1800
556-3708-304F	Yellow	37.5	20	1000
556-3506-304F	Red	72	20	1000
556-3606-304F	Green	72	16	1800
556-3706-304F	Yellow	72	20	1000
556-3507-304F	Red	125	10	700
556-3607-304F	Green	125	10	1000
556-3707-304F	Yellow	125	10	700

Other voltages and colors are available.
Please contact our factory for more information.

Dialight reserves the right to make changes at any time in order to supply the best product possible.

Dialight Corporation

1501 Route 34 South • Farmingdale, NJ 07727 USA

Tel: (1) 732-919-3119 • Fax: (1) 732-751-5778 • www.dialight.com



MDEL556X002_D

Mouser Electronics

Authorized Distributor

Click to View Pricing, Inventory, Delivery & Lifecycle Information:

Dialight:

[556-1506-304F](#) [556-3507-304F](#) [556-3607-304F](#) [556-1508-304F](#) [556-3508-304F](#) [556-3707-304F](#) [556-1608-304F](#)
[556-3708-304F](#) [556-1507-304F](#) [556-3706-304F](#) [556-1607-304F](#) [556-1706-304F](#) [556-3506-304F](#) [556-3608-304F](#)
[556-1606-304F](#) [556-1708-304F](#) [556-3606-304F](#)