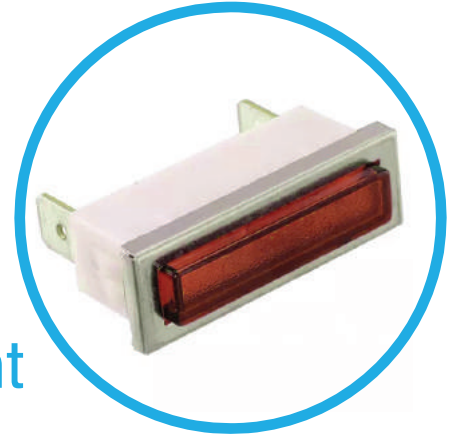




2330QD, 2332QD and 2390QD Series Non-Relampable Neon-Incandescent Indicator Light



Rectangular Neon-Incandescent Quick Connect Terminals Indicator Lights for 0.400" x 1.280" mounting hole

Specifications

Mounting: Will snap-fit into cut-out 0.400" x 1.280" and will mount in .032" - .100" thick panels

Terminals: Quick-connect, tinned brass, 0.250"

Lens: Polycarbonate

Bezel: Stainless steel.

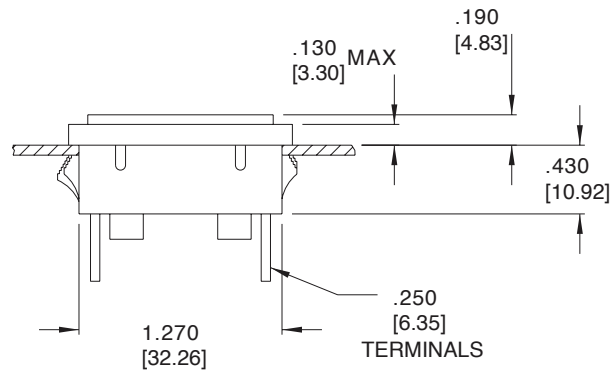
Underwriters Laboratories (UL) File No. E20356

Ordering Information

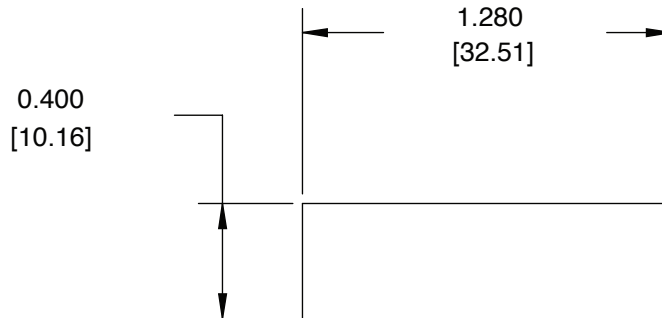
	Neon	Incandescent
	(105 - 125 VAC)	(28 VAC/VDC)
Lens Color	Part No.	Part No.
Red	2330QD1	2390QD1-28V
Amber	2330QD3	2390QD3-28V
White	2330QD4	2390QD4-28V
Green	2332QD5*	2390QD5-28V
Lamp used	C6A+Resistor	Lamp #: 2187

*Incorporates G2B lamp and resistor

Dimensions



MOUNTING HOLE



All dimensions in inches [mm].

Compliances and Approvals



Mouser Electronics

Authorized Distributor

Click to View Pricing, Inventory, Delivery & Lifecycle Information:

VCC:

[2330QD1](#) [2330QD3](#) [2330QD4](#) [2332QD5](#) [2390QD1-28V](#) [2390QD4-28V](#) [2390QD3-28V](#) [2390QD5-28V](#) [2390QDX1-28V](#) [2390QDX3-28V](#) [2390QDX4-28V](#) [2390QDX5-28V](#) [2330QDX1](#) [2330QDX3](#) [2330QDX4](#) [2332QDX5](#)