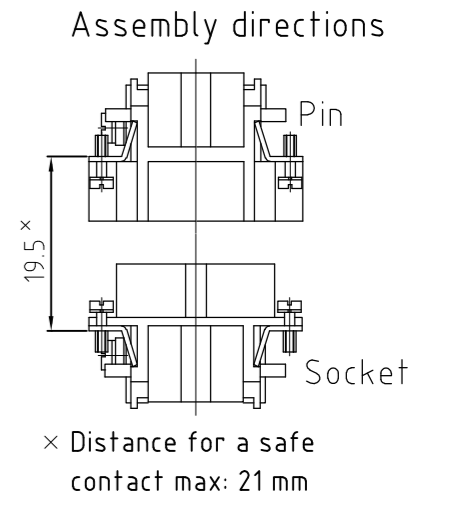
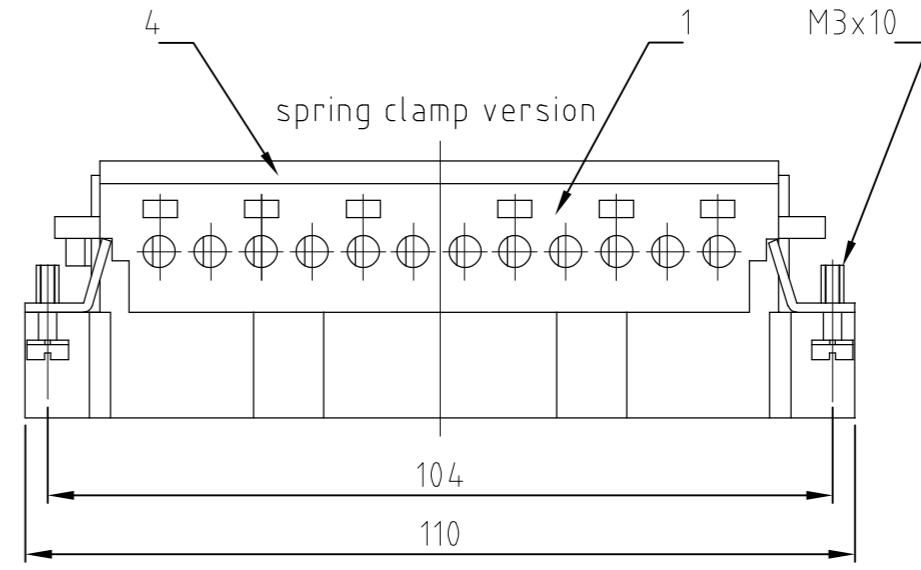
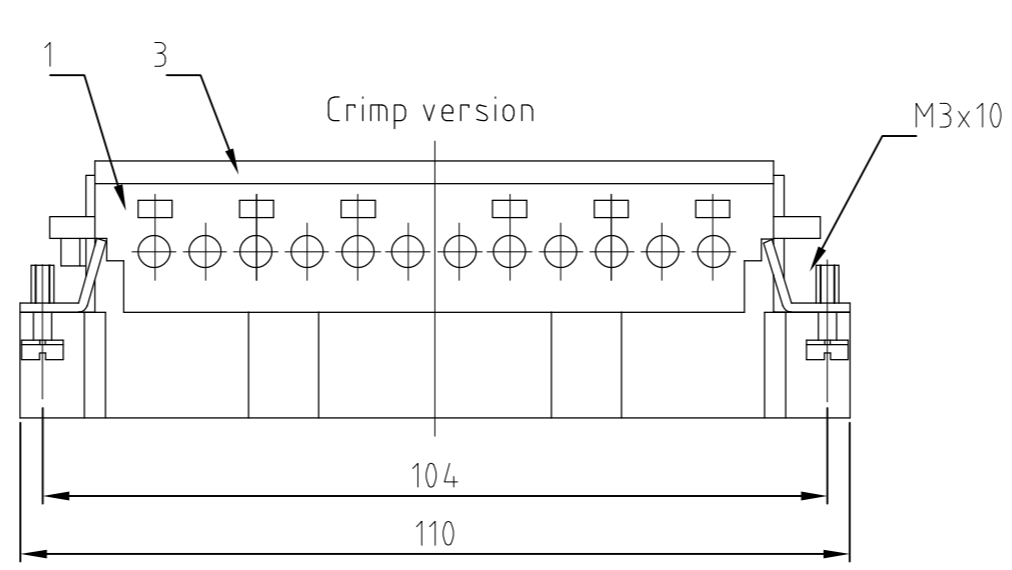
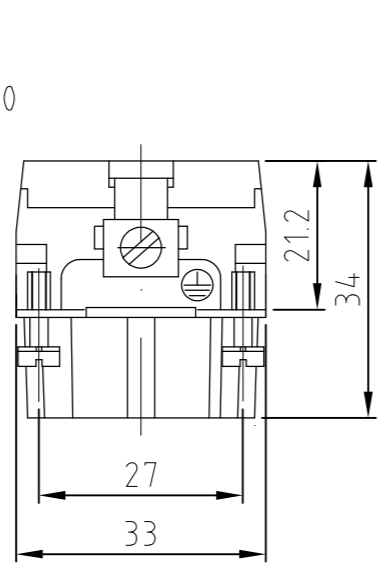
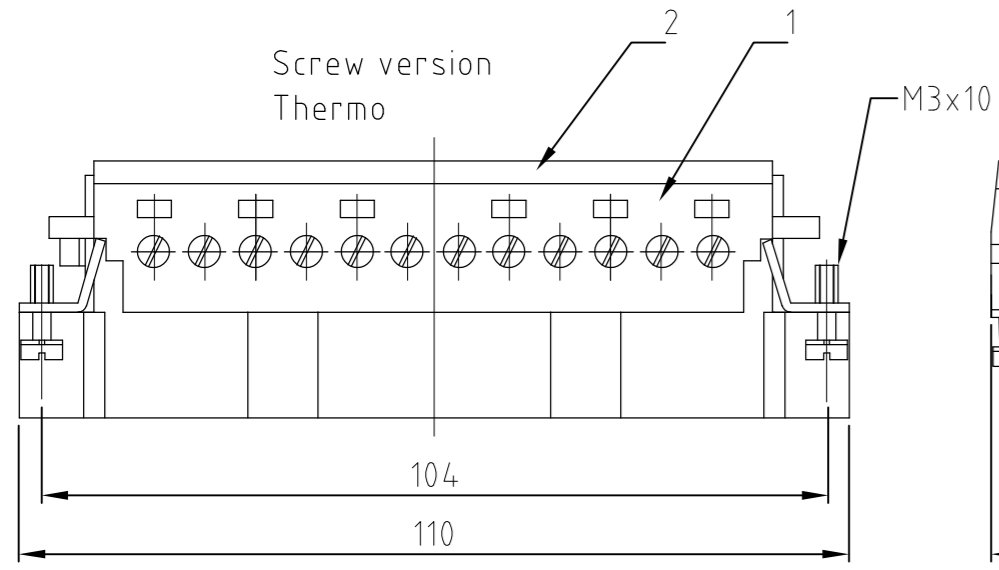


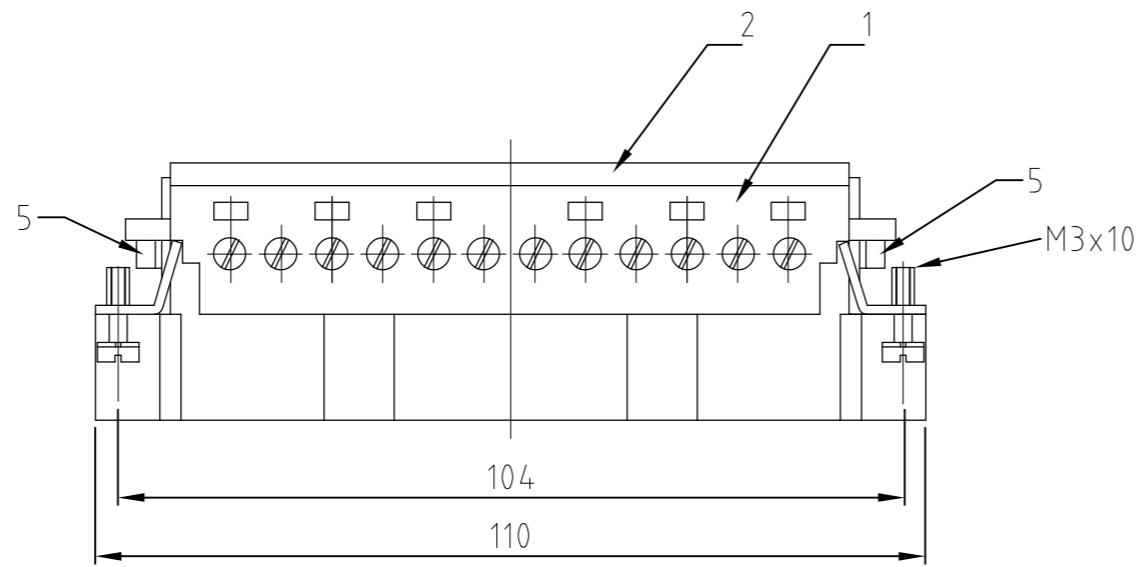
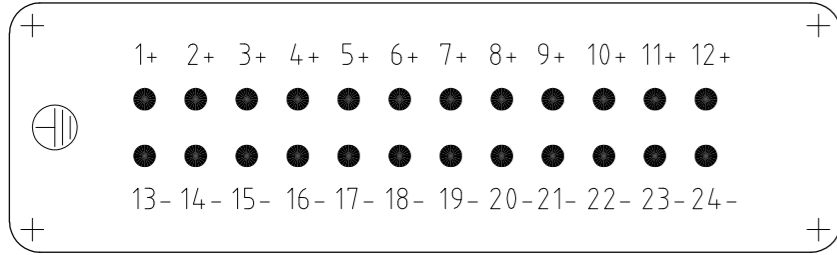
THIS DRAWING IS UNPUBLISHED. RELEASED FOR PUBLICATION  
 © COPYRIGHT - By - ALL RIGHTS RESERVED.

REVISIONS					
P	LTR	DESCRIPTION	DATE	DWN	APVD
E2		REVISED PER ECO-11-002591	15FEB11	HMR	MM
E3		REVISED PER ECR-16-009336	07DEC16	GCM	MKO

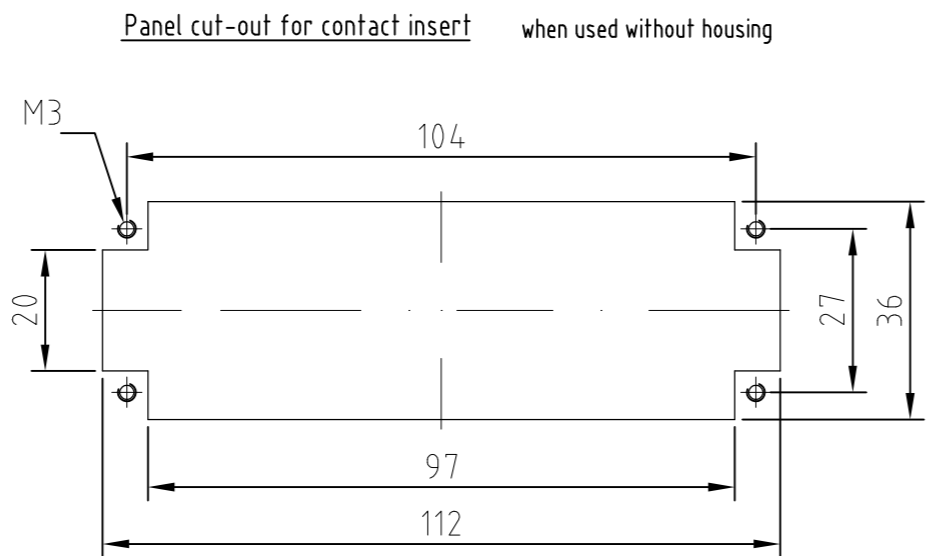
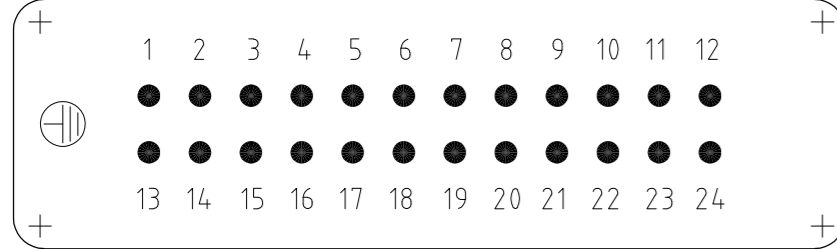


Contact arrangement view from termination side

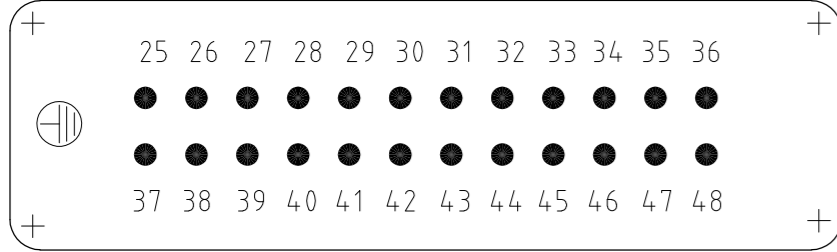
Printing 1-24 Thermo



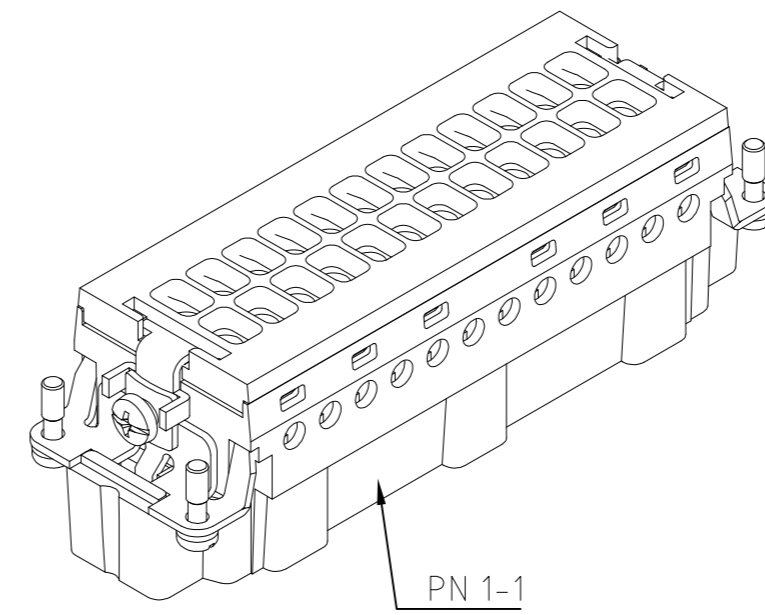
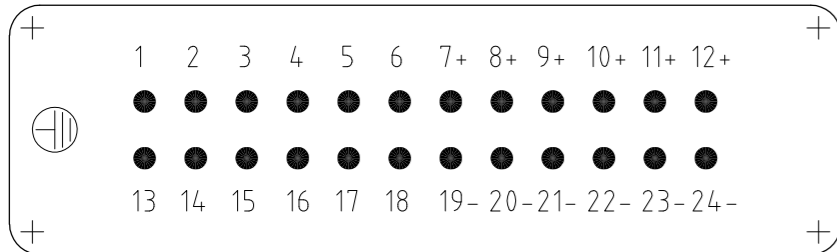
Printing 1-24 Screw



Printing 25-48 Screw



Printing 12+6+6 Screw/Thermo



NOTES:

- SUITABLE CRIMP CONTACTS: SERIES HE/HA  
 OUTER DIMENSIONS OF INSULATION: MAX. Ø3,2 MM
  - SUITABLE HOOD SIZE 8; 12: SERIES HB; HD; HIP; EMV  
 SUITABLE INSERTION AND EXTRACTION TOOL:  
 SCREWDRIVER 0,5x3 DIN 5264
  - Strip length: Screw connection 10mm  
 Spring clamp connection 10mm Crimp connection 7.5mm
  - STANDARDS:  
 DIN EN 61984; DIN EN 60664-1
- ⚠ PACKAGING:  
 5 SETS IN A CARTON, PRE-MOUNTED
- ⚠ SPECIAL PACKAGING: Krauss-Maffei  
 PACKAGING UNIT: 220 PIECES

ITEM NO.	DESCRIPTION	MATERIAL	COLOR / FARBE	ITEM NO. POS.	NOTES
2	1	cylinder screw	steel	5	M4x6
	1	cover spring clamp version		4	
	1	cover crimp version		3	
	1	cover screw version		2	
	1	pin insert		1	

HE 24.STi.S.B1-24+2ES	OBSELETE				
HE 24.SHi.S.B1-24.KKM					
HE 24.SHi.S.C-AU.B1-24					
HE 24.SHi.S.B-T 12+6+6					
HE 24.SHi.S-AU.B1-24					
HE 24.SHi.S-AU.B25-48	OBSELETE				
HE 24.SHi.S.C.B25-48					
HE 24.SHi.S.C.B1-24					
HE 24.SHi.S.C.B25-48					
HE 24.SHi.S.B1-24					
HE 24.SHi.S.B25-48					
HE 24.SHi.S-T.B1-24					
HE 24.SHi.S.B1-24					

THIS DRAWING IS A CONTROLLED DOCUMENT.		DWN 08.02.2000	TE Connectivity	
		CHK 08.02.2000	Male insert HE.24.STI.S/C	
		APVD -	NAME	
		PRODUCT SPEC		
		APPLICATION SPEC		
		WEIGHT		
CUSTOMER DRAWING		SCALE 1:1	SHEET 1 OF 1	REV E3

1103640

A

# Mouser Electronics

Authorized Distributor

Click to View Pricing, Inventory, Delivery & Lifecycle Information:

[TE Connectivity:](#)

[1-1103640-9](#)