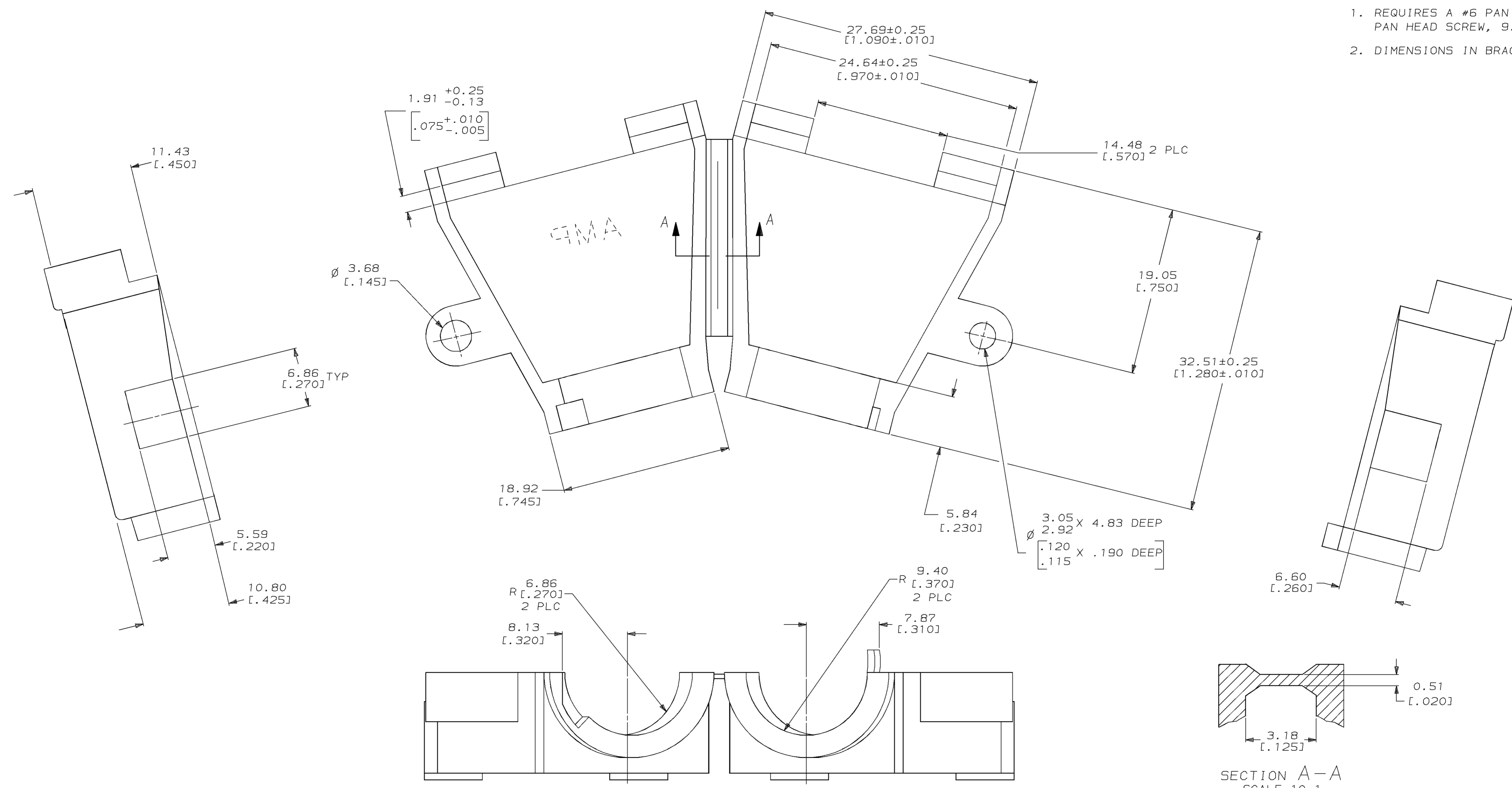
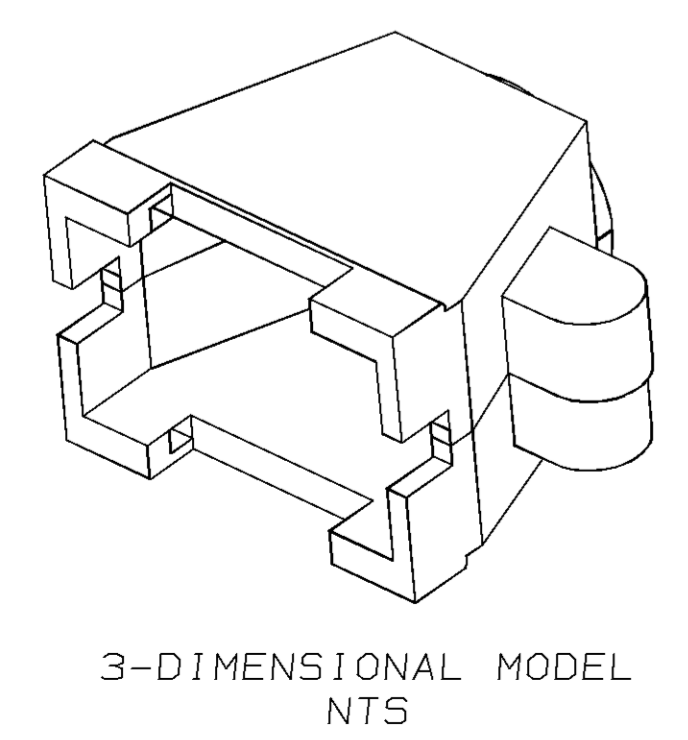


LOC		DIST		P		F		ZONE		LTR		REVISIONS		DATE	APPD
CM	52												REV & REDWN PER ECN CM-11	2-10-95	KS



1. REQUIRES A #6 PAN HEAD TYPE "B" SELF TAPPING PAN HEAD SCREW, 9.53 [.375] LONG.
2. DIMENSIONS IN BRACKETS ARE IN INCHES.



SECTION A-A
SCALE 10:1

BLACK	1-480634-9
BRICK RED	480634-1
COLOR	PART NO

DO NOT SCALE PRINT. UNLESS SPECIFIED DIMENSIONS IN mm [INCHES] TOLERANCES ON: 2 PLC DEC ± 0.13 [.005] 3 PLC DEC ± - ANGLES ± -	DR 2-10-95 K. SALMON
MATERIAL NYLON	CHK 2-10-95 R. SWING
FINISH COLOR, SEE TABLE	APPD 2-10-95 W. LONG
	APPD 2-10-95 W. LONG
	APPLICATION SPEC
	WEIGHT -

AMP Incorporated Harrisburg, PA 17105-3608	
NAME STRAIN RELIEF, HINGED, 20 POSITION	
SIZE D	CAGE CODE 00779
DRAWING NO C=480634	SHEET 1 OF 1
SCALE 4:1	



THIS DRAWING IS A CONTROLLED DOCUMENT FOR AMP INCORPORATED. IT IS SUBJECT TO CHANGE AND THE CONTROLLING ENGINEERING ORGANIZATION SHOULD BE CONTACTED FOR THE LATEST REVISION.

Mouser Electronics

Authorized Distributor

Click to View Pricing, Inventory, Delivery & Lifecycle Information:

[TE Connectivity:](#)

[1-480634-9](#)