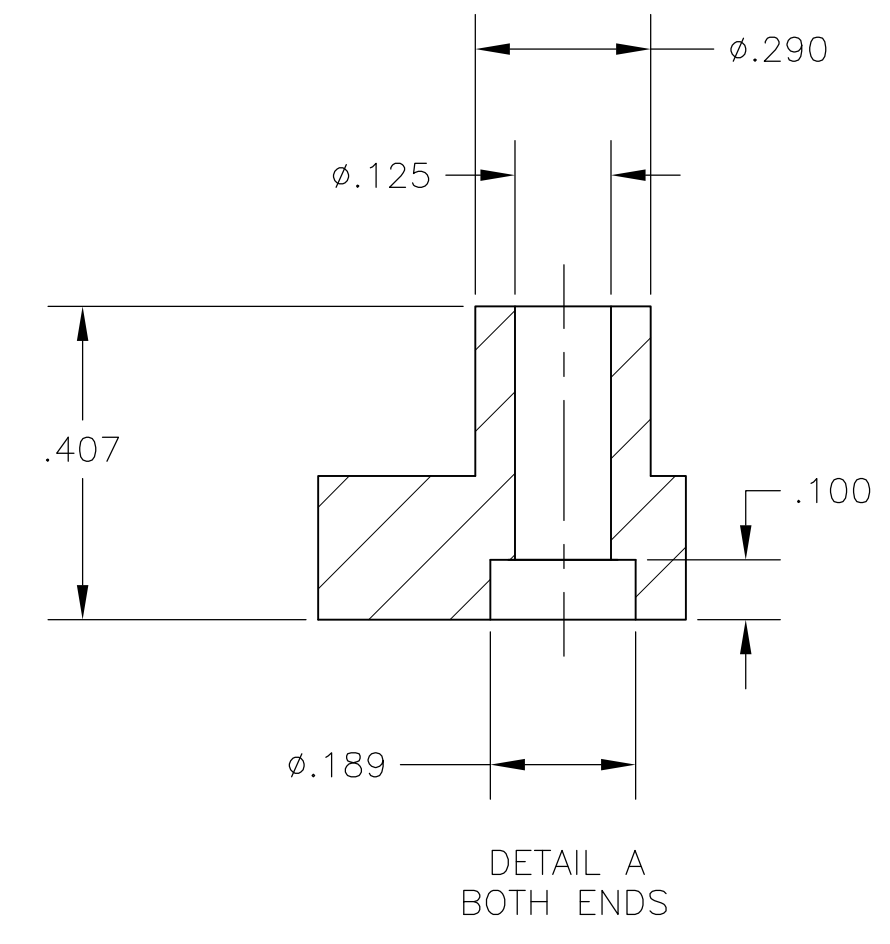
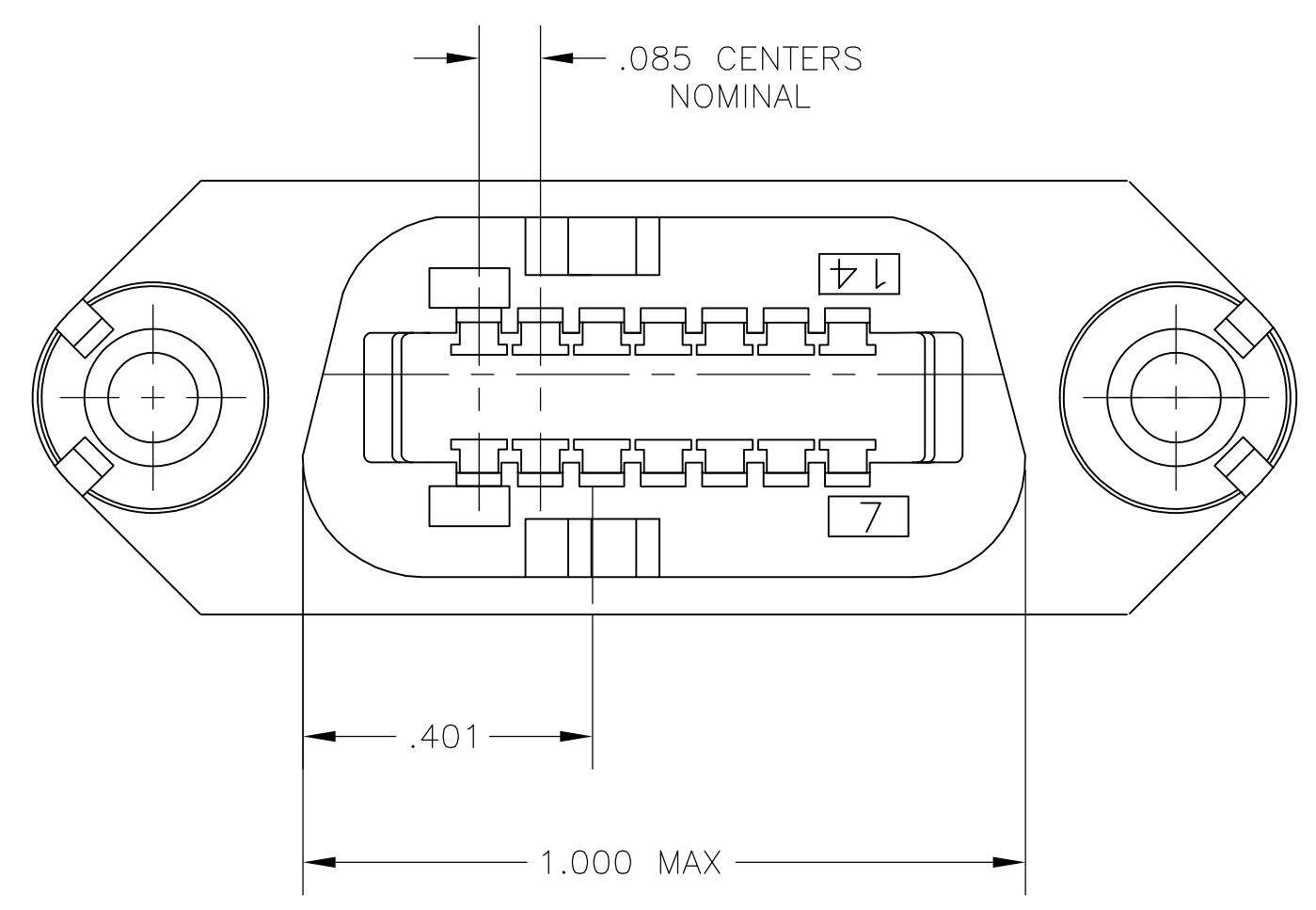
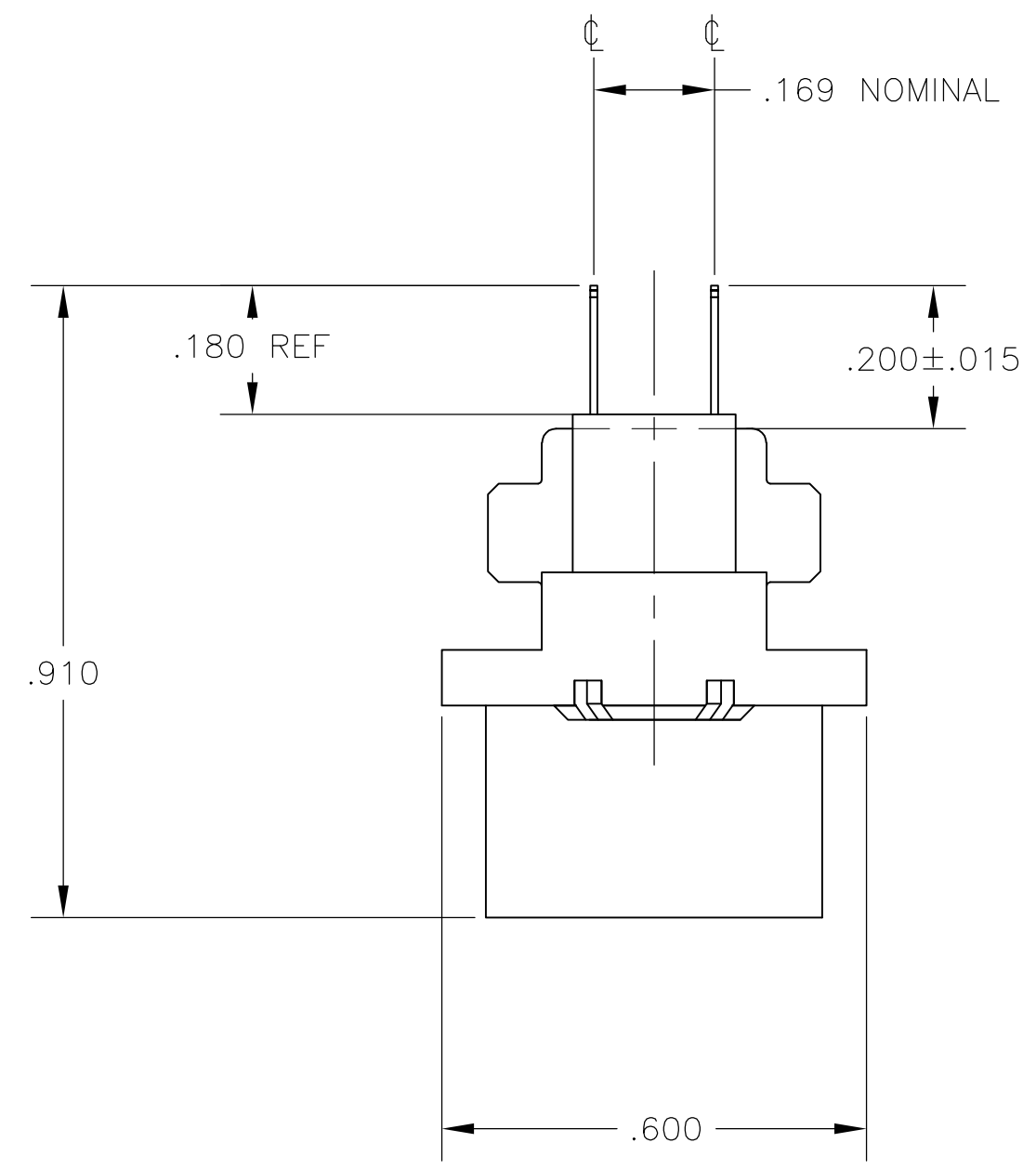
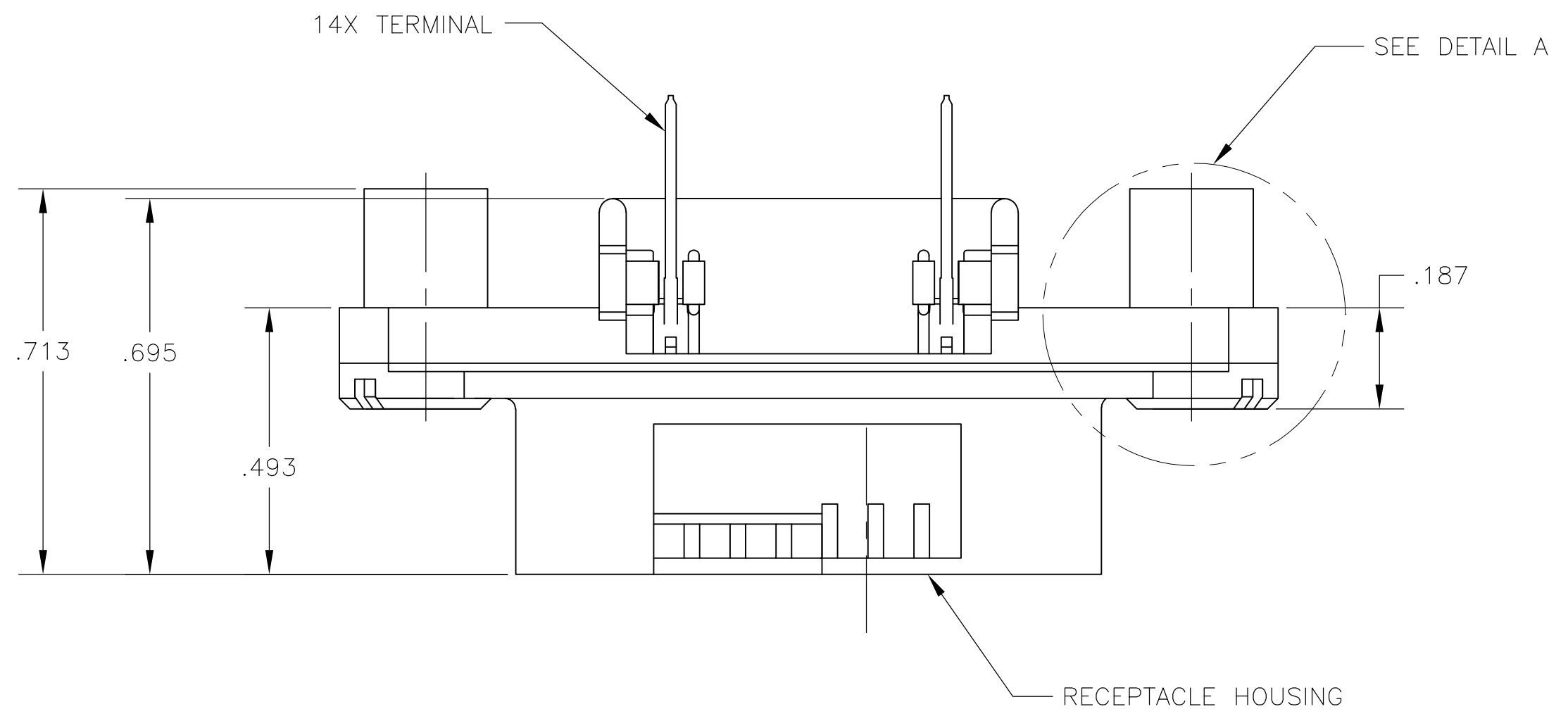
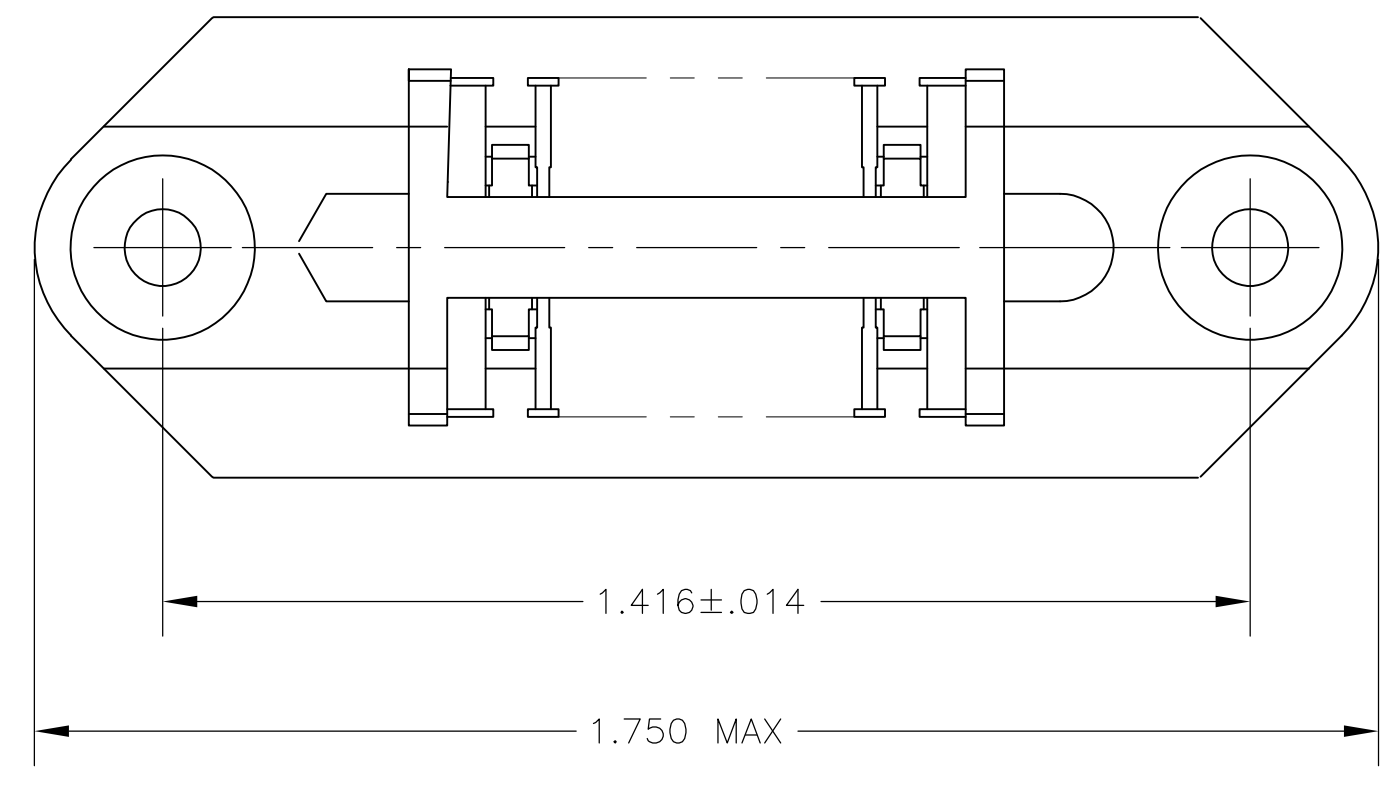


LOC		DIST		REVISIONS			
GP	00	REV	DATE	BY	APP'D	DATE	BY
B		REVISED PER ECO-08-007327	22JUL08	BM	WM		



- THE CONTACT SURFACES OF THE TERMINALS ARE COATED WITH LUBRICANT.
- ⚠ ALL DIMENSIONS SHOWN ARE FOR REFERENCE ONLY UNLESS OTHERWISE SPECIFIED.
- ⚠ MATERIAL: HOUSING - THERMOPLASTIC, BLACK.
 TERMINAL - PHOS BRONZE PLATED WITH EITHER .000030 MINIMUM GOLD PLATE OR GOLD FLASH OVER PALLADIUM NICKEL PLATE, .000030 MINIMUM TOTAL ON MATING SURFACE. .000120 MINIMUM TIN PLATE ON TAILS OVER .000050 MINIMUM NICKEL UNDERPLATE OVER ENTIRE TERMINAL.

5552212-1
 PART NUMBER

THIS DRAWING IS A CONTROLLED DOCUMENT.		DIN B LATTUCA	23AUG05	Tyco Electronics Corporation Harrisburg, PA 17105-3608																									
		CHK W MILLHIMES	23AUG05																										
DIMENSIONS: INCHES		TOLERANCES UNLESS OTHERWISE SPECIFIED:		NAME M WALMSLEY																									
<table border="1"> <tr><td>0. PLC</td><td>±</td><td>-</td></tr> <tr><td>1. PLC</td><td>±</td><td>-</td></tr> <tr><td>2. PLC</td><td>±</td><td>-</td></tr> <tr><td>3. PLC</td><td>±</td><td>-</td></tr> <tr><td>4. PLC</td><td>±</td><td>-</td></tr> <tr><td>ANGLES</td><td>±</td><td>-</td></tr> </table>		0. PLC	±		-	1. PLC	±	-	2. PLC	±	-	3. PLC	±	-	4. PLC	±	-	ANGLES	±	-	<table border="1"> <tr><td>APPRO</td><td>23AUG05</td></tr> <tr><td>PRODUCT SPEC</td><td></td></tr> <tr><td>APPLICATION SPEC</td><td></td></tr> <tr><td>WEIGHT</td><td></td></tr> </table>		APPRO	23AUG05	PRODUCT SPEC		APPLICATION SPEC		WEIGHT
0. PLC	±	-																											
1. PLC	±	-																											
2. PLC	±	-																											
3. PLC	±	-																											
4. PLC	±	-																											
ANGLES	±	-																											
APPRO	23AUG05																												
PRODUCT SPEC																													
APPLICATION SPEC																													
WEIGHT																													
MATERIAL		FINISH		SIZE A1																									
CUSTOMER DRAWING		SCALE 4:1		RESTRICTED TO SHEET 1 OF 1 REV B																									

Mouser Electronics

Authorized Distributor

Click to View Pricing, Inventory, Delivery & Lifecycle Information:

[TE Connectivity:](#)

[5552212-1](#)