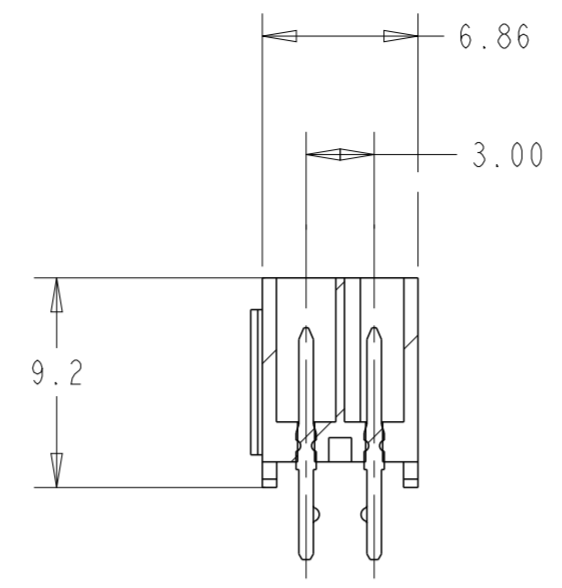
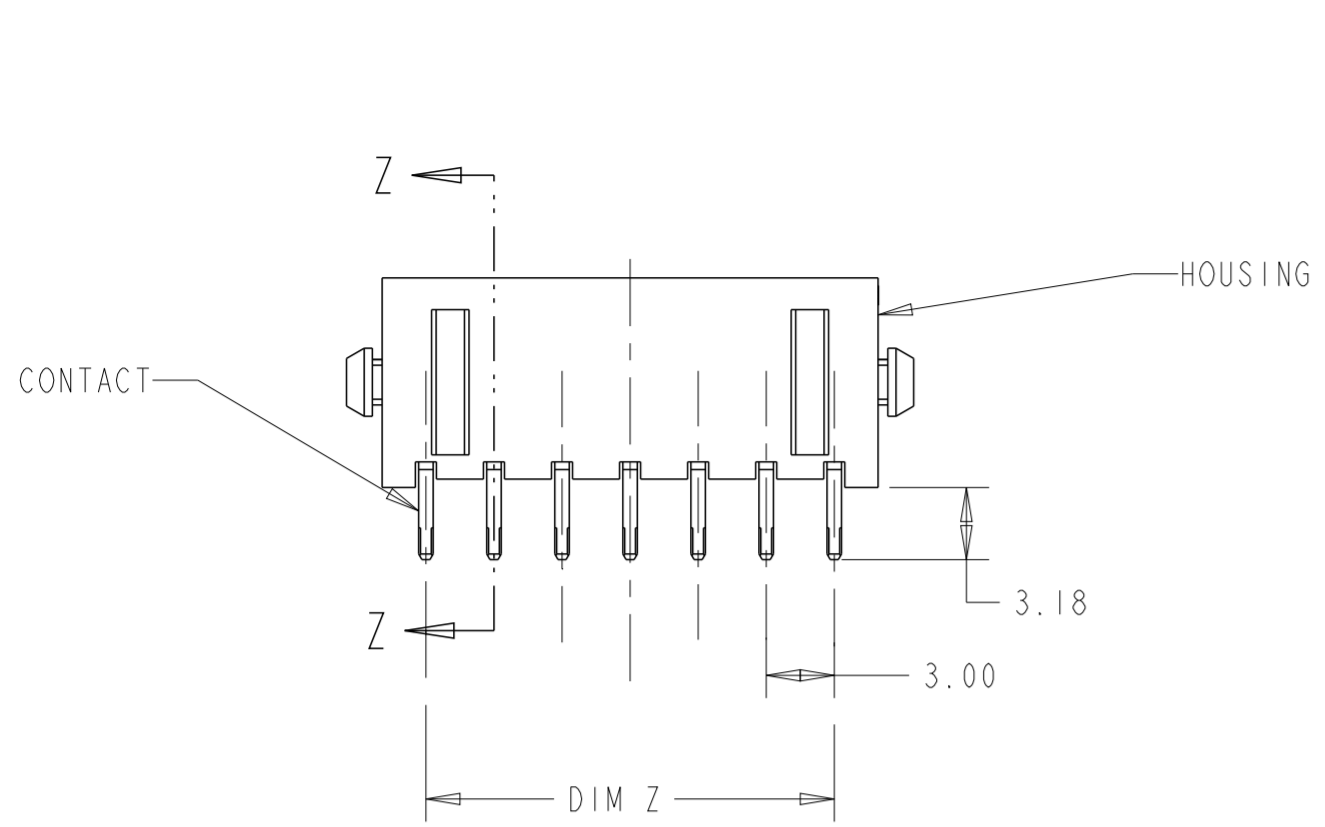
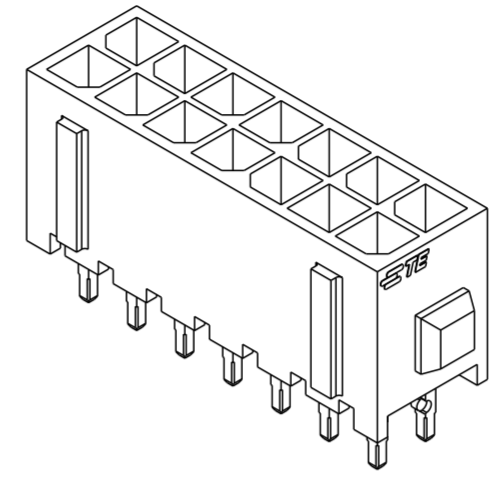


THIS DRAWING IS UNPUBLISHED. RELEASED FOR PUBLICATION  
 © COPYRIGHT 20 BY - ALL RIGHTS RESERVED.

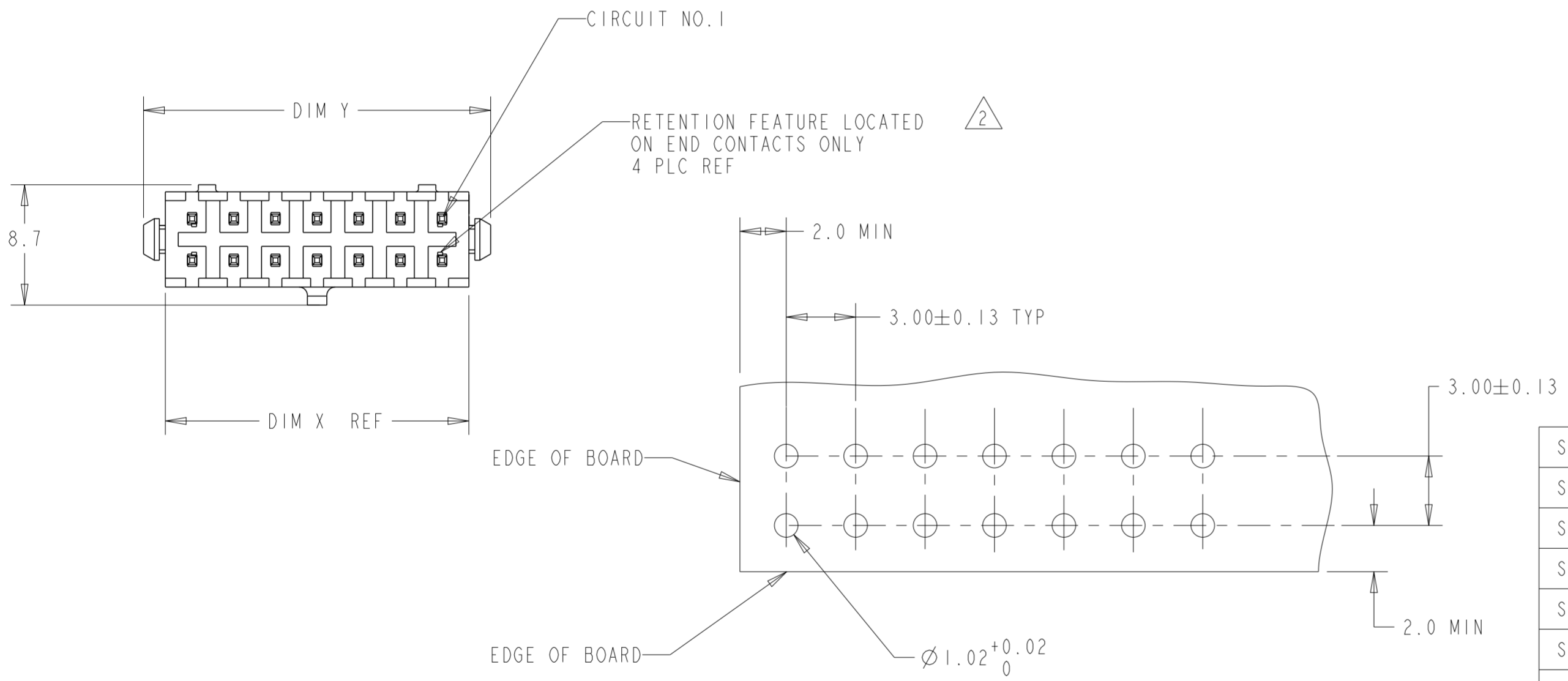
REVISIONS					
P	LTR	DESCRIPTION	DATE	DWN	APVD
	EI	REVISED PER ECR-16-011494	21JUN2017	NK	CX



SECTION Z-Z



3 DIMENSIONAL MODEL



RECOMMENDED MOUNTING HOLE PATTERN SCALE 5:1

- 1 MATERIAL: HOUSING - NYLON, UL 94V-0, BLACK.  
CONTACT - BRASS.  
0.00038 MINIMUM GOLD OVER 0.00254  
MINIMUM NICKEL ON MATING AREA. 0.00254  
TIN-LEAD MINIMUM OVER 0.00254 NICKEL  
MINIMUM ON SOLDER TAILS.
- 2 MAXIMUM INSERTION 20 LBS.
- 3 RECOMMENDED BOARD THICKNESS 1.57.
- 4 MATERIAL: HOUSING - NYLON, UL 94V-0, BLACK.  
CONTACT - BRASS.  
0.00038 MINIMUM GOLD OVER 0.00254  
MINIMUM NICKEL ON MATING AREA. 0.00254  
MATTE TIN MINIMUM OVER 0.00254 NICKEL  
MINIMUM ON SOLDER TAILS.

FINISH	DIM Y	DIM Z	DIM X	NO. OF POSN.	PART NUMBER
4	40.00	33.00	36.86	24	5-794631-4
4	37.00	30.00	33.86	22	5-794631-2
4	34.00	27.00	30.86	20	5-794631-0
4	31.00	24.00	27.86	18	4-794631-8
4	28.00	21.00	24.86	16	4-794631-6
4	25.00	18.00	21.86	14	4-794631-4
4	22.00	15.00	18.86	12	4-794631-2
4	19.00	12.00	15.86	10	4-794631-0
4	16.00	9.00	12.86	8	3-794631-8
4	13.00	6.00	9.86	6	3-794631-6
4	10.00	3.00	6.86	4	3-794631-4
4	7.00	-	3.86	2	3-794631-2
1	40.00	33.00	36.86	24	<del>2-794631-4</del>
1	37.00	30.00	33.86	22	<del>2-794631-2</del>
1	34.00	27.00	30.86	20	<del>2-794631-0</del>
1	31.00	24.00	27.86	18	<del>1-794631-8</del>
1	28.00	21.00	24.86	16	<del>1-794631-6</del>
1	25.00	18.00	21.86	14	<del>1-794631-4</del>
1	22.00	15.00	18.86	12	<del>1-794631-2</del>
1	19.00	12.00	15.86	10	<del>1-794631-0</del>
1	16.00	9.00	12.86	8	<del>794631-8</del>
1	13.00	6.00	9.86	6	<del>794631-6</del>
1	10.00	3.00	6.86	4	<del>794631-4</del>
1	7.00	-	3.86	2	<del>794631-2</del>

THIS DRAWING IS A CONTROLLED DOCUMENT.

DWN B. HAYMAKER 16AUG99  
 CHK K. COBLE 16AUG99  
 APVD K. COBLE 16AUG99

STE TE Connectivity

NAME VERTICAL HEADER ASSEMBLY, THRU HOLE, 15 GOLD, DUAL ROW, MICRO MATE-N-LOK™

SIZE A2 CAGE CODE 00779 DRAWING NO. C-794631 RESTRICTED TO

MATERIAL SEE TABLE WEIGHT - SCALE 3:1 SHEET 1 OF 1 REV EI

# Mouser Electronics

Authorized Distributor

Click to View Pricing, Inventory, Delivery & Lifecycle Information:

[TE Connectivity:](#)

[794631-8](#)