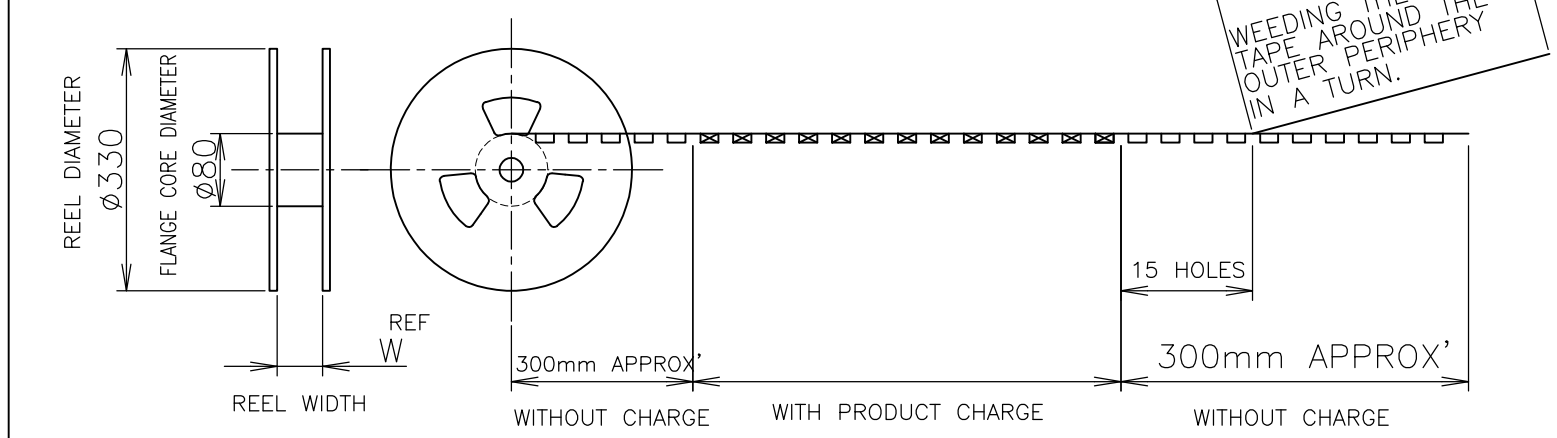
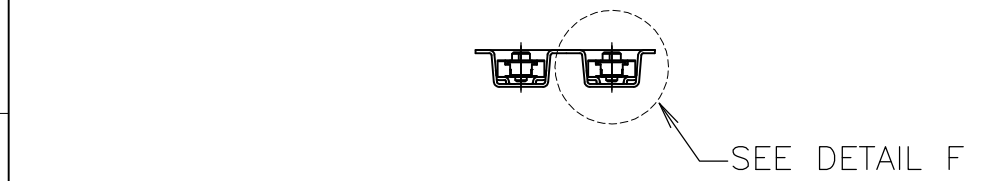
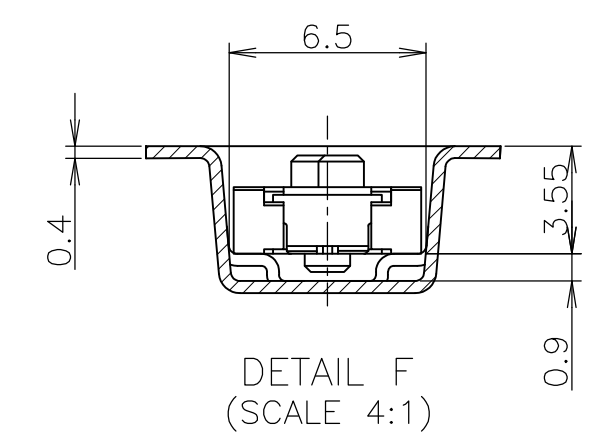
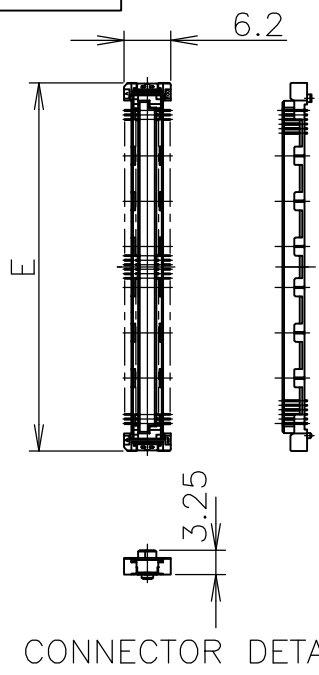
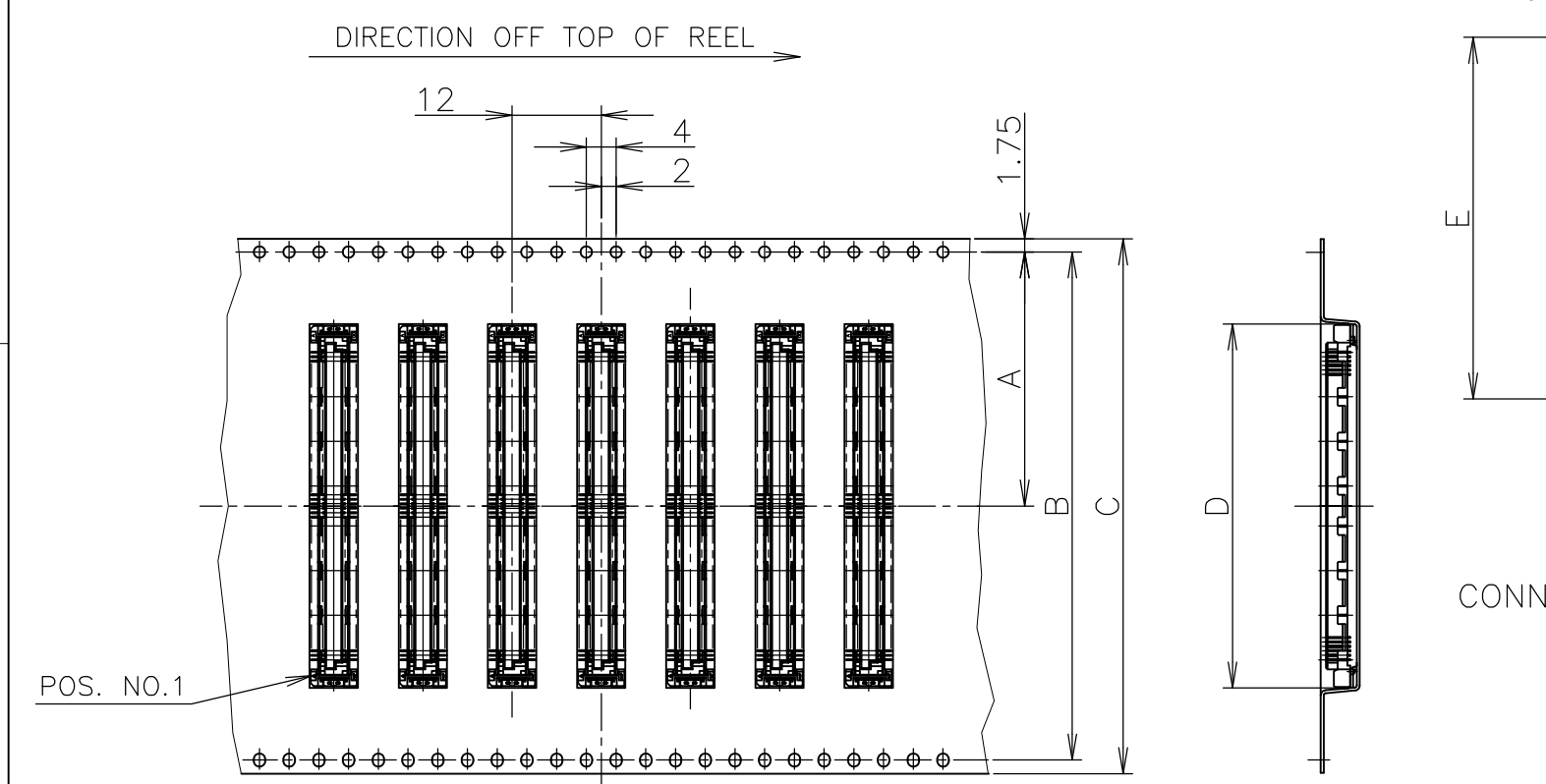


THIS DRAWING IS UNPUBLISHED. RELEASED FOR PUBLICATION DEC , 1996.  
 © COPYRIGHT 1996 BY TYCO ELECTRONICS CORPORATION. ALL RIGHTS RESERVED.

LOC	DIST	REVISIONS				
P	LTR	DESCRIPTION	DATE	DWN	APVD	
J						
	D	REVISED ECR-08-000340	01FEB08	T.T	T.F	
	E	REVISED PER ECO-17-005300	27MAY17	B.J	S.Y	



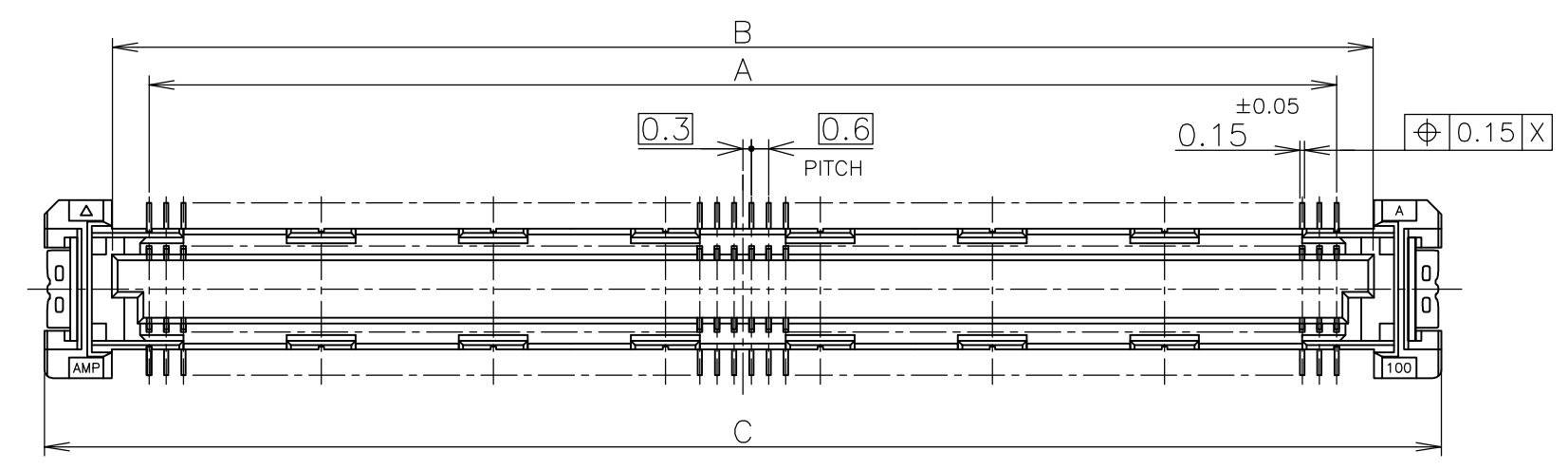
HOUSING COLOR	SEALANT	TOOLING STATUS	QTY.	W	E	D	C	B	A	POS.	PART NO.	
BLACK	AVAILABLE		1000	77.5	48.7	49	72	68.4	34.2	140	8-5353189-0	
	NOT AVAILABLE			77.5	54.7	55	72	68.4	34.2	160	6-5353189-1	
NATURAL	SEALANT			77.5	48.7	49	72	68.4	34.2	140	6-5353189-0	
				61.5	42.7	43	56	52.4	26.2	120	5-5353189-9	
				61.5	36.7	37	56	52.4	26.2	100	5-5353189-8	
	NOT AVAILABLE			61.5	33.7	34	56	52.4	26.2	90	5-5353189-7	
	AVAILABLE			49.5	30.7	31	44	40.4	20.2	80	5-5353189-6	
	NOT AVAILABLE			49.5	27.7	28	44	40.4	20.2	70	5-5353189-5	
	NOT AVAILABLE			49.5	24.7	25	44	40.4	20.2	60	5-5353189-4	
	AVAILABLE			37.5	21.7	22	32	28.4	14.2	50	5-5353189-3	
	NOT AVAILABLE			37.5	18.7	19	32	28.4	14.2	40	5-5353189-2	
	AVAILABLE			1000	29.5	15.7	16	24	11.5	30	5-5353189-1	
	NON SEALANT	NOT AVAILABLE		1000	77.5	54.7	55	72	68.4	34.2	160	1-5353189-1
					77.5	48.7	49	72	68.4	34.2	140	1-5353189-0
					61.5	42.7	43	56	52.4	26.2	120	5-5353189-9
		NOT AVAILABLE			61.5	36.7	37	56	52.4	26.2	100	5-5353189-8
AVAILABLE				61.5	33.7	34	56	52.4	26.2	90	5-5353189-7	
NOT AVAILABLE				49.5	30.7	31	44	40.4	20.2	80	5-5353189-6	
				49.5	27.7	28	44	40.4	20.2	70	5-5353189-5	
				49.5	24.7	25	44	40.4	20.2	60	5-5353189-4	
				37.5	21.7	22	32	28.4	14.2	50	5-5353189-3	
				37.5	18.7	19	32	28.4	14.2	40	5-5353189-2	
NOT AVAILABLE			1000	29.5	15.7	16	24	11.5	30	5353189-1		

3 THIS PRODUCT WAS COATED BY FLUX-PENETRATION -INHIBITING AGENT.

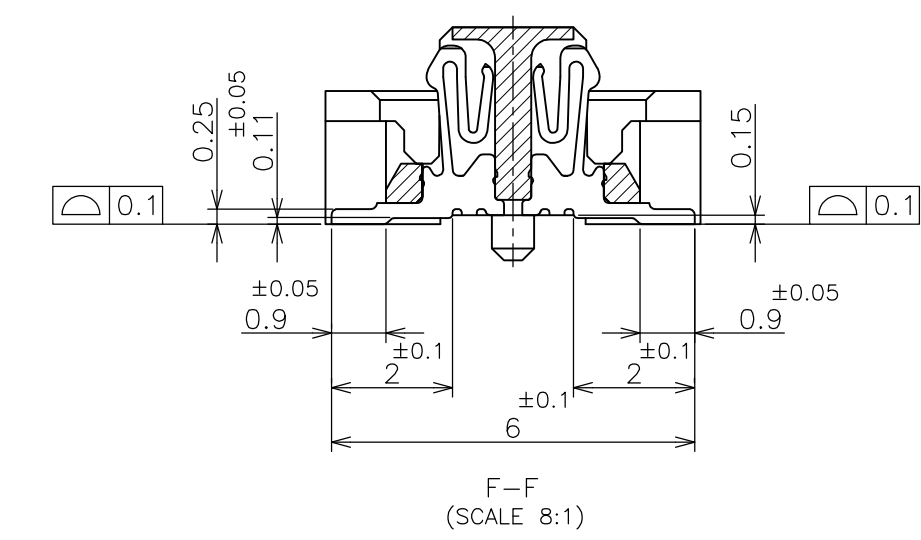
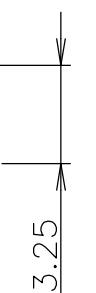
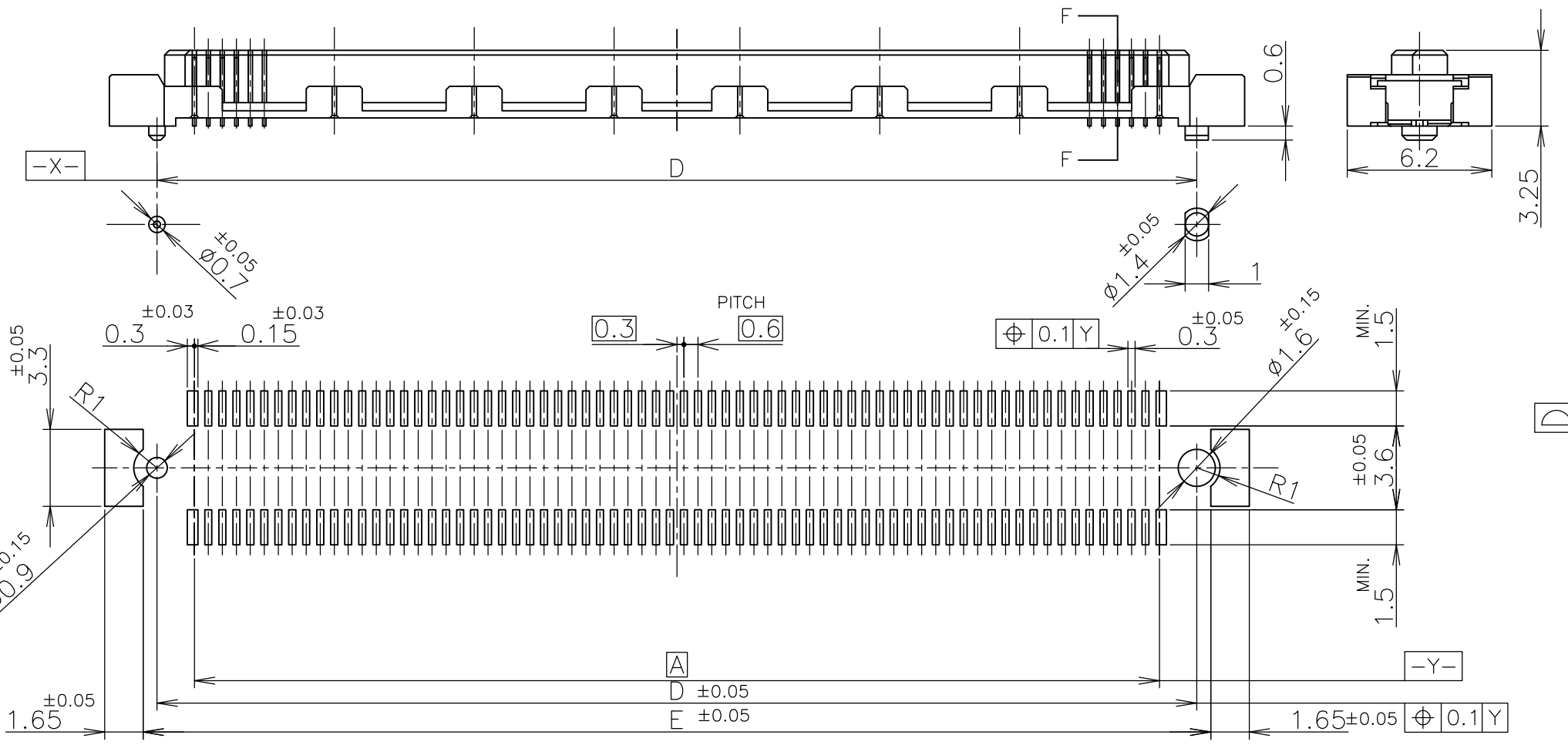
THIS DRAWING IS A CONTROLLED DOCUMENT.

DIMENSIONS: MM	TOLERANCES UNLESS OTHERWISE SPECIFIED:	DWN HAWKING HE 20DEC04	Tyco Electronics Corporation Kawasaki, Japan
		CHK STEVEN YAO 20DEC04	
		APVD I.ENOMOTO 20DEC04	NAME
		PRODUCT SPEC	EMBOSS ASSY
		108-60047	FH 0.6BTB CONNECTOR
		APPLICATION SPEC	REC 4H STD TYPE
MATERIAL	FINISH	114-5255	SIZE CAGE CODE DRAWING NO RESTRICTED TO
		WEIGHT	A3 00779 C-5353189
		CUSTOMER DRAWING	SCALE 1:1 SHEET 1 OF 2 REV E

LOC	DIST	REVISIONS					
J		P	LTR	DESCRIPTION	DATE	DWN	APVD
		-		SEE SHEET 1	-	-	-



△ MATERIAL : HOUSING : HIGH TEMP THERMO PLASTIC  
 UL94V-0  
 CONTACT : COPPER ALLOY  
 △ FINISH : UNDER PL Ni 0.0013mm MIN ALL OVER.  
 CONTACT AREA 0.0002 MIN Au PL.  
 SOLDERING AREA 0.00005 MIN Au PL.



REFERENCE P.C. BOARD LAYOUT

AVAILABLE	51.8	50.6	54.7	50	47.4	160
AVAILABLE	45.8	44.6	48.7	44	41.4	140
NOT AVAILABLE	39.8	38.6	42.7	38	35.4	120
NOT AVAILABLE	33.8	32.6	36.7	32	29.4	100
AVAILABLE	30.8	29.6	33.7	29	26.4	90
AVAILABLE	27.8	26.6	30.7	26	23.4	80
AVAILABLE	24.8	23.6	27.7	23	20.4	70
NOT AVAILABLE	21.8	20.6	24.7	20	17.4	60
AVAILABLE	18.8	17.6	21.7	17	14.4	50
NOT AVAILABLE	15.8	14.6	18.7	14	11.4	40
NOT AVAILABLE	12.8	11.6	15.7	11	8.4	30
TOOLING STATUS	E	D	C	B	A	POS

THIS DRAWING IS A CONTROLLED DOCUMENT.		DWN	Tyco Electronics Corporation Kawasaki, Japan			
DIMENSIONS: MM		CHK	NAME			
TOLERANCES UNLESS OTHERWISE SPECIFIED:		APVD	EMBOSS ASSY FH 0.6BTB CONNECTOR REC 4H STD TYPE			
0 PLC ± 0.3 1 PLC ± 0.3 2 PLC ± 0.3 3 PLC ± 0.3 4 PLC ± 0.3 ANGLES ± 3°		PRODUCT SPEC	SIZE	CAGE CODE	DRAWING NO	RESTRICTED TO
MATERIAL		APPLICATION SPEC	A3	00779	G-5353189	
FINISH		WEIGHT	CUSTOMER DRAWING		SCALE 4:1	SHEET 2 OF 2
△ MATERIAL △ FINISH					REV E	

# Mouser Electronics

Authorized Distributor

Click to View Pricing, Inventory, Delivery & Lifecycle Information:

[TE Connectivity:](#)

[5-5353189-6](#)