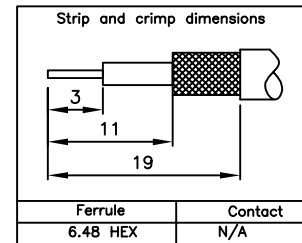
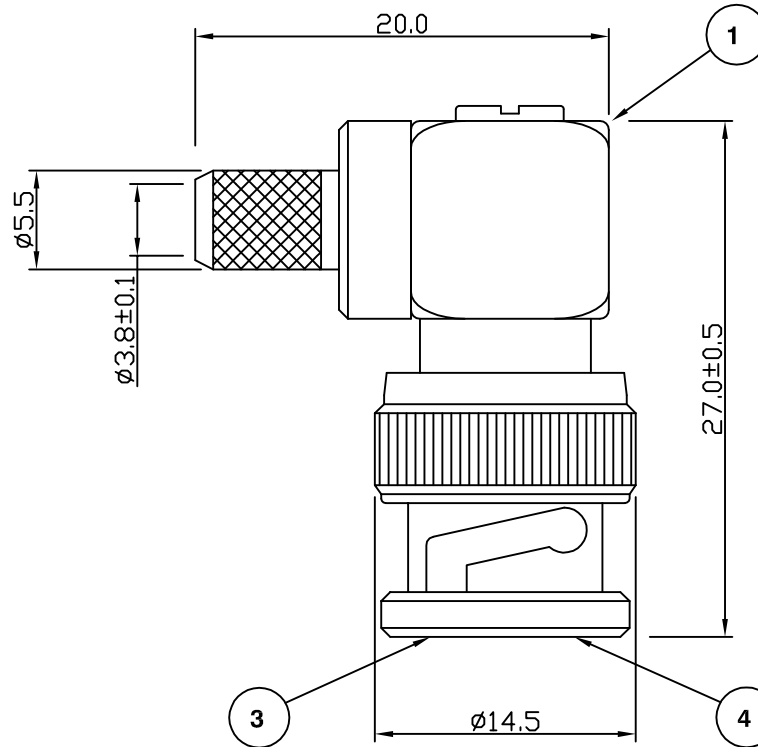
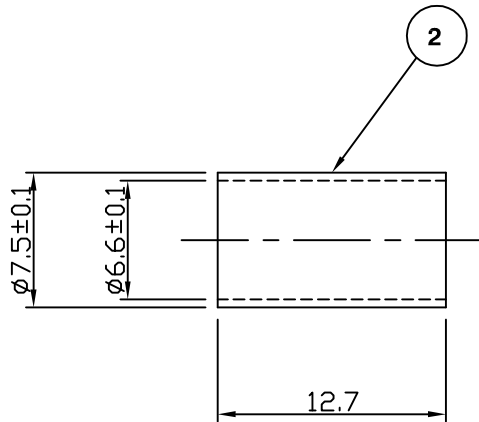


RoHS COMPLIANT



For stripping and assembly instructions see Drawing Number: VAIB2101

Electrical Characteristics

| | |
|-------------------------------------|-----------------------------|
| Nominal Impedance: | 50 ohms |
| Frequency Range: | DC to 4 GHz |
| VSWR: | 1.3:1 maximum |
| Insertion Loss: | 0.2 dB at 3 GHz |
| Operating Voltage (rms): | 500 V maximum at sea level |
| Dielectric Withstand Voltage (rms): | 1500 V maximum at sea level |
| Contact Resistance: | 1.5 milliohms maximum |
| Insulation Resistance: | 5000 megohms minimum |

Mechanical Characteristics

| | |
|-----------------------|------------------------|
| Mating Cycles: | 500 cycles minimum |
| Interface Dimensions: | Conform to MIL-C-39012 |

Environmental Characteristics

| | |
|--------------------|------------------|
| Temperature Range: | -55 °C to +85 °C |
|--------------------|------------------|

| PART | DESCRIPTION |
|------|---|
| 1 | Body Zinc, nickel plated 1.78 μm |
| 2 | Ferrule Brass, nickel plated 1.78 μm |
| 3 | Contact Brass, gold plated 0.076 μm - 0.127 μm |
| 4 | Dielectric POM |

| DESCRIPTION OF REVISION | APPVD | ISS | DATE |
|-------------------------|-------|-----|-------------|
| Dimensional update | JT | 4 | 20 April 10 |
| Updated Measurements | KA | 3 | 14 Aug 07 |
| CAD Issue | SN | 2 | 01 Feb 02 |
| First Issue | CBB | 1 | 01 April 00 |



Cinch Connectivity Solutions
7-13 Russel Way,
Widford Industrial Estate,
Chelmsford, Essex,
CM1 3AA, UK.
Tel: +44 (0) 1245 359515
Fax: +44 (0) 1245 358938

SCALE: Not To Scale
DIMENSIONS: mm
TOLERANCES:
± 0.2mm unless
otherwise stated

DRAWN BY: S Nash
CHECKED BY: S Nash
APPROVED BY: M Nielsen
DATE: 01 Feb 02

TITLE:
BNC Right Angle Crimp Plug
for RG59

PART NUMBER:
VB20-2031

PAGE: 1 of 1

Mouser Electronics

Authorized Distributor

Click to View Pricing, Inventory, Delivery & Lifecycle Information:

[Cinch Connectivity Solutions:](#)

[VB20-2031](#)