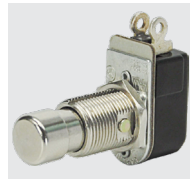


P26-Series

P26-Series

PUSHBUTTON SWITCHES

The P26-Series pushbutton switches are single pole, AC rated for 6 amps at 125 VAC and suitable for shallow back panel applications. These switches are momentary action with a medium actuation force (13 oz. typical). The P26-Series switch is equipped with a slow-make, slow-break contact mechanism.



Product Highlights:

- 6A 125VAC, 3A 277VAC rated
- Momentary On or Momentary Off circuitry
- 4 bushing size combinations
- Round Metal, Concave Metal and Nylon Style Actuators

Typical Applications:

- Intercoms
- Security System
- Electronic Signs
- Marine
- Lighting



Dielectric Strength

UL/CSA: 1000V - live to dead metal parts

Electrical Life

25,000 cycles

Operating Temperature

32°F to 185°F (0°C to 85°C)

P26L - **1D** - **BL**

¹
Base Part Number

²
Bushing Style

³
Button Style/Color

1 BASE PART NUMBER: SERIES / POLES / CIRCUITRY / RATING / TERMINATION

Single Pole	Solder Lug	.250 Tab	Wire Leads
3A 250VAC, 6A 125 VAC, 3/4A 125V			
Off - (On)	P26A	P26B	P26F
On - (Off)	P26L	-	P26T
3A 277VAC, 6A 125 VAC ¹			
Off - (On)	P267A	P267B	P267F
On - (Off)	P267L	-	P267T

2 BUSHING STYLE

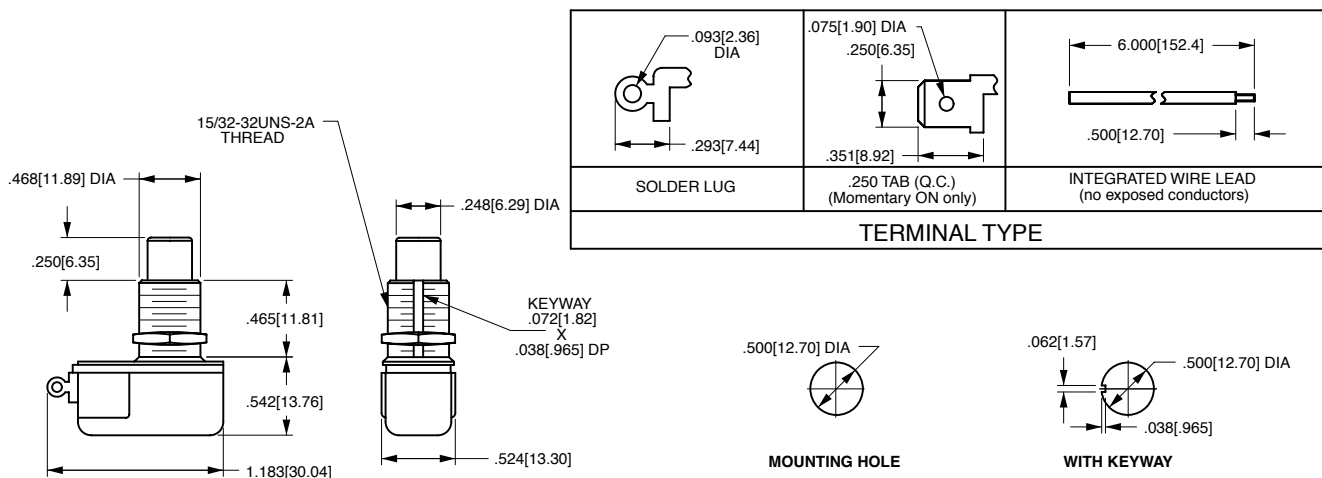
	length	diameter
1A	.406	.375
1B	.406	.468
1C	.465	.375
1D ³	.465	.468

3 BUTTON STYLE / COLOR

BL	Black Nylon
RD	Red Nylon
RND MTL ²	Round Metal
CON MTL ²	Concave Metal

Notes:

- 1 Additional ratings available. Consult factory for details
- 2 Only available with 1D bushing in .562 length
- 3 Length is .562 for RND MTL and CON MTL buttons
- () Indicates momentary function.



*Manufacturer reserves the right to change product specification without prior notice.

Authorized Sales Representatives and Distributors

Click on a region of the map below to find your local representatives and distributors or visit www.carlingtech.com/findarep.



About Carling

Founded in 1920, Carling Technologies is a leading manufacturer of electrical and electronic switches and assemblies, circuit breakers, electronic controls, power distribution units, and multiplexed power distribution systems. With four ISO9001 and IATF16949 registered manufacturing facilities and technical sales offices worldwide, Carling Technologies Sales, Service and Engineering teams do much more than manufacture electrical components, they engineer powerful solutions! To learn more about Carling please visit www.carlingtech.com/company-profile.

To view all of Carling's environmental, quality, health & safety certifications please visit www.carlingtech.com/environmental-certifications

Worldwide Headquarters

Carling Technologies, Inc.
60 Johnson Avenue, Plainville, CT 06062
Phone: 860.793.9281 **Fax:** 860.793.9231
Email: sales@carlingtech.com

Northern Region Sales Office: nrsm@carlingtech.com
Southeast Region Sales Office: sersm@carlingtech.com
Midwest Region Sales Office: mrrsm@carlingtech.com
West Region Sales Office: wrsm@carlingtech.com
Latin America Sales Office: larsm@carlingtech.com

Asia-Pacific Headquarters

Carling Technologies, Asia-Pacific Ltd.,
Suite 1607, 16/F Tower 2, The Gateway,
Harbour City, 25 Canton Road,
Tsimshatsui, Kowloon, Hong Kong
Phone: Int + 852-2737-2277 **Fax:** Int + 852-2736-9332
Email: sales@carlingtech.com.hk

Shenzhen, China: shenzhen@carlingtech.com
Shanghai, China: shanghai@carlingtech.com
Pune, India: india@carlingtech.com
Kaohsiung, Taiwan: taiwan@carlingtech.com
Yokohama, Japan: japan@carlingtech.com

Europe | Middle East | Africa Headquarters

Carling Technologies LTD
4 Airport Business Park, Exeter Airport,
Clyst Honiton, Exeter, Devon, EX5 2UL, UK
Phone: Int + 44 1392.364422 **Fax:** Int + 44 1392.364477
Email: ltd.sales@carlingtech.com

Germany: gmbh@carlingtech.com
France: sas@carlingtech.com



Carling Technologies®

Innovative Designs. Powerful Solutions.

Mouser Electronics

Authorized Distributor

Click to View Pricing, Inventory, Delivery & Lifecycle Information:

Carling Technologies:

[P26A-1D-RND-MTL](#) [P26L-1D-RND-MTL](#) [P26A-1D-BL](#) [P26B-1D-CON MTL](#) [P26B-1D-RD](#) [P26F-1D-BL](#) [P26F-1D-RND MTL](#) [P26T-1D-RND MTL](#) [P267T-1A-B-XAB1](#) [P26L-1B-BL](#) [P267T-1D-RD](#) [P267T-1D-BL](#) [P26F-1D-RD](#) [P26T-1D-BL](#) [P267T-1D-BL-XBO1](#) [P267F-1D-RND MTL](#) [P26A-1D-RND-MTL/HDW BULK](#) [P267T-1A-BL](#) [P267T-1B-BL](#) [P267T-1D-RND MTL](#) [P26B-1D-BL](#) [P26B-1D-RND MTL](#) [P26F-1D-XGR1](#) [P26T-1A-BL](#) [P26T-1D-CON MTL-XKL1](#) [P26T-1D-RD](#) [P28F-1D-BL](#) [P28T-1D-RD-XAU1](#) [P267F-1B-RD](#) [P267T-1B-BL-XNUT1](#) [P26A-1D-CON MTL-XRL1](#) [P26B-1D-CON MTL-XBM1](#) [P26L-1D-BL](#) [P26F-1D-RND MTL/POLY](#) [P26A-1D-RND MTL/2 HEX-XLD1](#) [P267F-1D-RD](#) [P267T-1D-BL/2 HEX](#) [P26F-1D-CON MTL](#) [P26F-1C-RD](#) [P267T-1C-BL](#) [P26T-1C-BL](#) [P267L-1B-RD](#) [P267T-1A-BL-XLI2](#) [P26F-1D-BL-XMR1](#) [P28B-1D-BL](#) [P267T-1A-RD](#) [P265A-1D-RND MTL](#) [P267T-1D-CON MTL](#) [P28T-1D-RND MTL](#) [P26T-1D-CON MTL](#) [P265A-1D-CON MTL](#) [P28F-1B-BL-XWL1](#) [P267T-1A-BL-XAB1](#) [P28F-1A-BL](#) [P26B-1D-X-MTL-XDU1](#) [P26A-1B-BL](#) [P26L-1D-CON MTL-XPB1](#) [P267F-1B-BL](#) [P267B-1D-RND MTL](#) [P28B-1D-RND MTL](#) [P26A-1DXHD4](#) [P267F-1A-RD](#) [P26B-1B-RD](#) [P267F-1C-BL](#) [P26T-1D-XBR4](#) [P267T-1B-RD/728-15907](#) [P26A-1B-RD](#) [P26B-1B-BL](#) [P26T-1D-BL-XYL1](#) [P267T-1B-RD](#) [P26L-1D-CON MTL](#) [P26F-1A-BL-XHE2](#) [P26A-1A-RD](#) [P26F-1B-BL](#) [P26T-1D-BL-XFA1](#) [P265B-1D-RND MTL](#) [P28B-1B-BL](#) [P26A-1D-BL-XWP1](#) [P26F-1D-BL-XAC1](#) [P26T-1B-BL](#) [P28F-1A-BL/2 HEX](#) [P265T-1A-BL](#) [P26F-1A-BL](#) [P26T-1C-RD](#) [P28B-1D-CON MTL](#) [P26L-1A-BL](#) [P267T-1D-BL-XBJ1](#) [P26L-1D-BL-XPB1](#) [P267F-1C-RD](#) [P28A-1D-CON MTL](#) [P26B-1A-RD](#) [P26A-1A-BL](#) [P28A-1D-BL](#) [P26B-1C-BL/DOWN TABS/2 HEX](#) [P265L-1D-CON MTL](#) [P267L-1A-BL-XRO1](#) [P26L-1A-RD](#) [P26F-1C-BL](#) [P26L-1D-RD](#) [P267T-1A-BL/NO HDW](#)