

PART
NAME

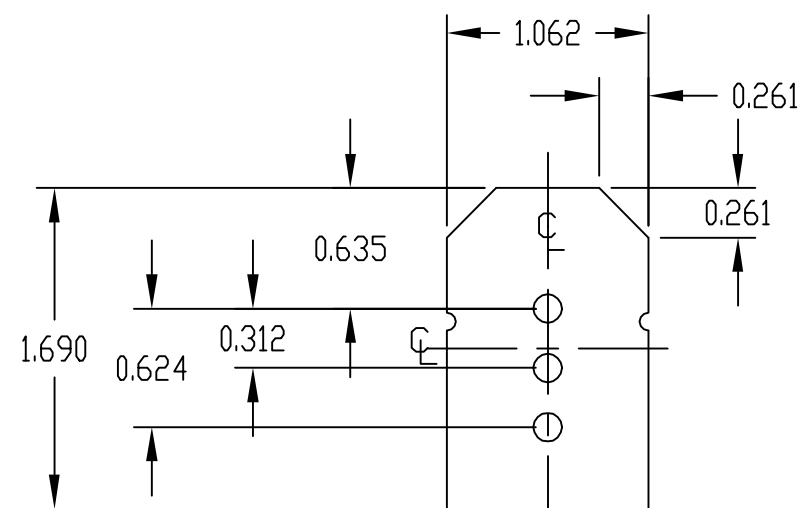
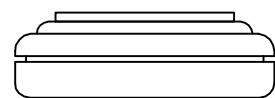
2-BUTTON GRABBER

PART
No.

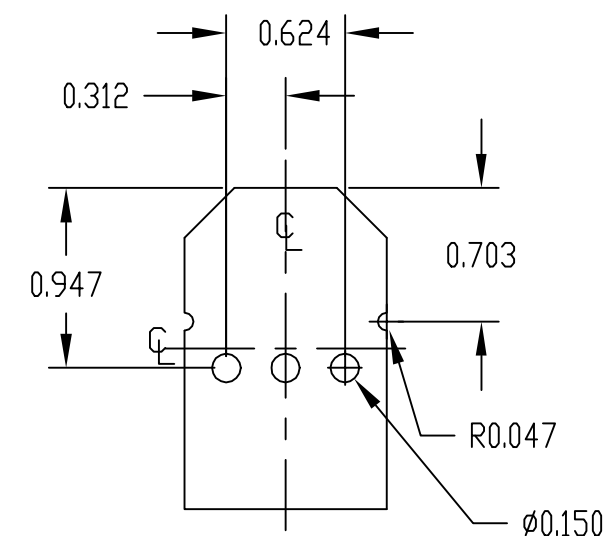
HH-3492

REV.
DATE

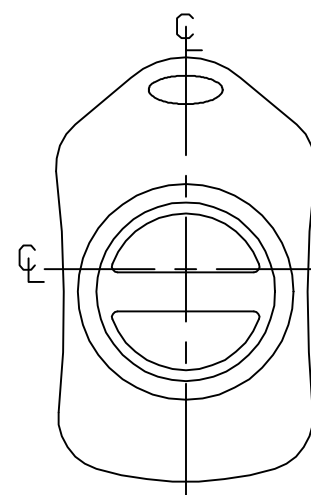
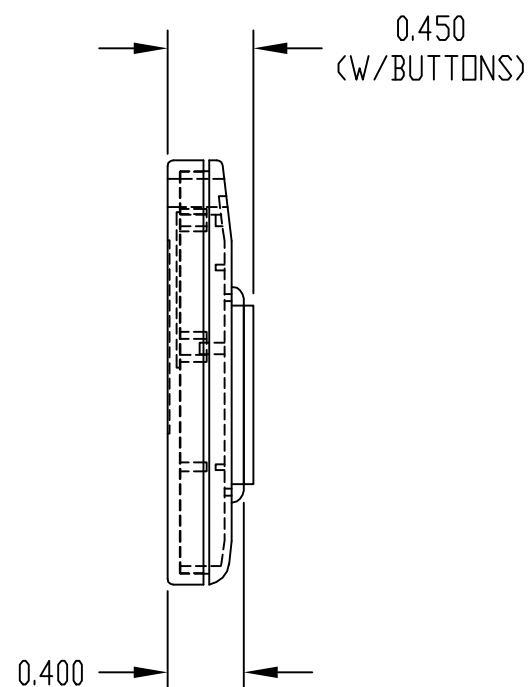
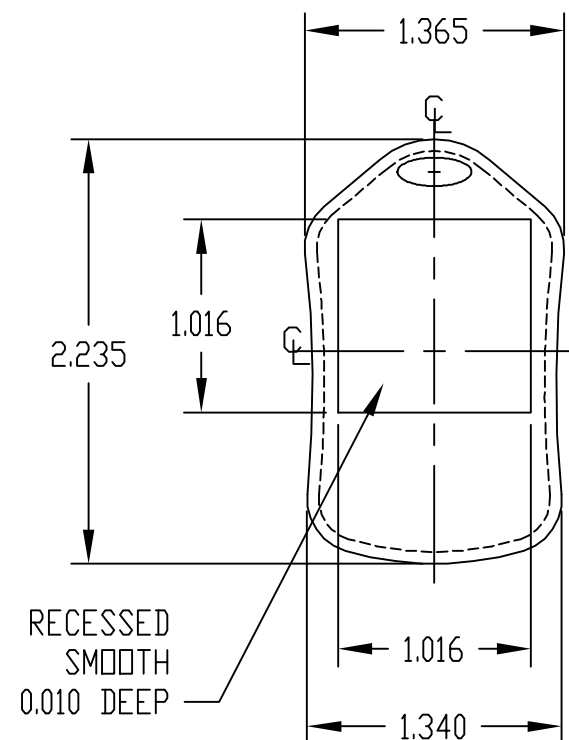
10-29-08



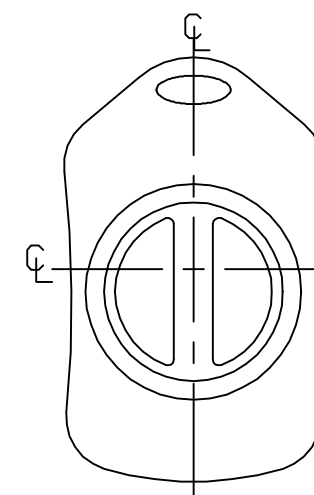
PC BOARD LAYOUT
OPTION #1



PC BOARD LAYOUT
OPTION #2



BUTTON POSITION
OPTION #1



BUTTON POSITION
OPTION #2

NOTE:

- 1) MATERIAL: BODY & COVER - ABS (UL94-HB)
BUTTON - ABS & SILICONE RUBBER
- 2) FINISH: BODY & COVER - TEXTURED
BUTTON - SMOOTH
- 3) COLOR: BODY & COVER - BLACK
BUTTON - GRAY
- 4) PC BOARD IS NOT INCLUDED. TO BE FURNISHED BY CUSTOMER.
- 5) ALL DIMENSIONS HAVE ± 0.010 TOLERANCE UNLESS OTHERWISE SPECIFIED.

Mouser Electronics

Authorized Distributor

Click to View Pricing, Inventory, Delivery & Lifecycle Information:

[Bud Industries:](#)

[HH-3492](#)