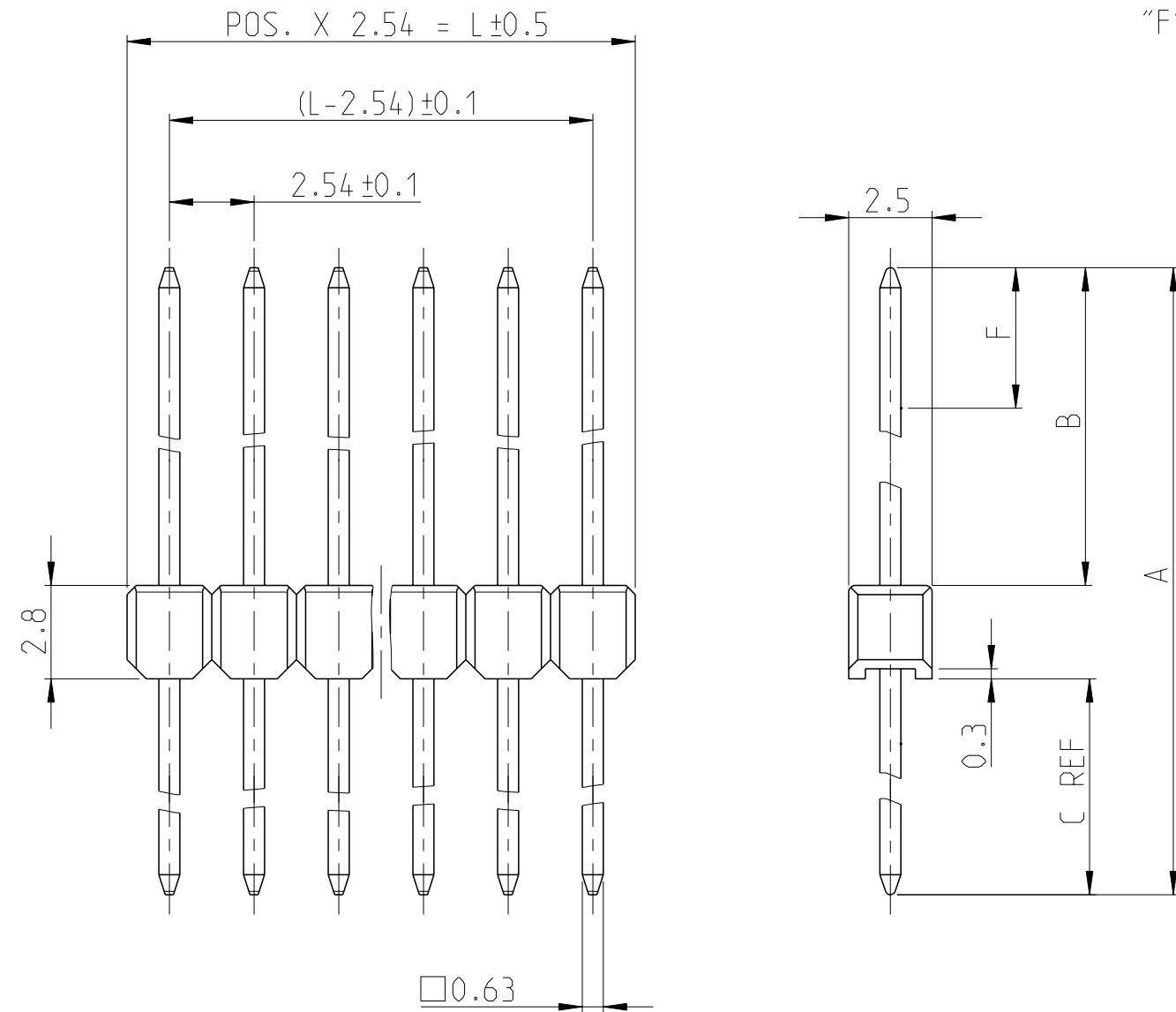


REVISIONS				
P	LTR	DESCRIPTION	DATE	APVD
	AC	Contact pin material change from CuSn to CuZn	13SEP2017	KJK PS



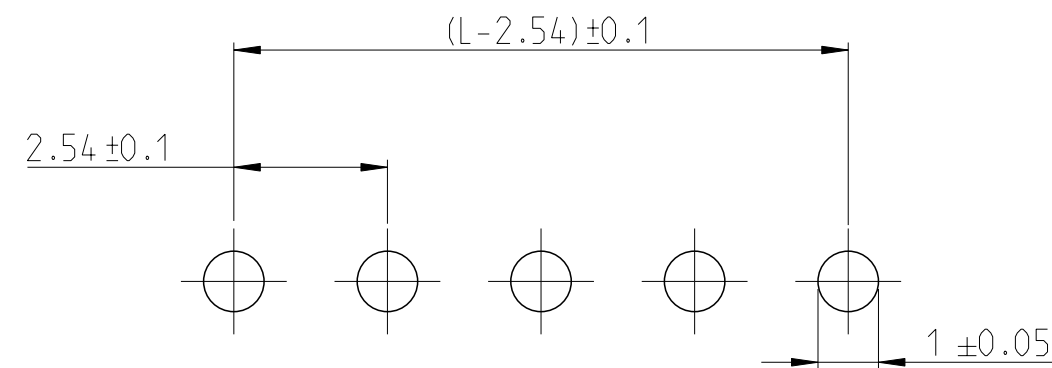
DIMENSION					PART- NO.		PART- NO.			PART- NO.							
A	B	C	F	-	SELECTIVE GOLD PLATED			TIN PLATED			SELECTIVE GOLD PLATED						
					△1	△5	△7	WEIGHT POS. PER ROW			WEIGHT POS. PER ROW			WEIGHT POS. PER ROW			
12.7	6.7	3.2	4.4	-				△7	△2	△5	△7						
12.0	6.7	2.5	4.4	-				826629	0.0654 g	826926	0.0656 g						
11.8	5.8	3.2	4.4	-				826630	0.0629 g	826935	0.0632 g						
11.1	5.8	2.5	4.4	-				826646	0.0622 g	826936	0.0625 g	△8	829070				0.0621 g
14.0	8.0	3.2	4.4	-				826647	0.0597 g	826937	0.0600 g						
13.3	8.0	2.5	4.4	-				826648	0.0699 g	826938	0.0703 g						
12.7	6.7	3.2	5.5	-				826649	0.0674 g	826939	0.0678 g						
								-	-	-	-	△8	828356				0.0653 g

CONTACT PIN	CuZn	SEE TABLE
PIN HOUSING	PBT GV	SEE TABLE
DESCRIPTION	MATERIAL	FABRE/COLOR/PLATING/SURFACE

NOTES:

- △1 MATING SIDE : AREA "F" MIN 0.7µm PdNi + MIN 0.1µm GOLD OVER 1.27µm NICKEL BY AREA "B"
SOLDER SIDE: MIN 3µm TIN OVER 1.27µm NICKEL
- △2 MATING AND SOLDER SIDE : MIN 3µm TIN OVER 1.27µm NICKEL
- △3 MATING SIDE: AREA "F" 0.13µm GOLD OVER 1.27µm NICKEL BY AREA "B"
SOLDER SIDE: MIN 3µm TIN OVER 1.27µm NICKEL
- △4 COLOR OF HOUSING: GREY
- △5 COLOR OF HOUSING: GREEN
- △6 TOLERANCES NOT CUMULATIVE
- △7 THE NUMBER OF POSITION PER ROW HAS TO BE ADDED TO THE BASE NO. AS A DASH NO.
EG: 2-826629-0 = 20 POSITIONS

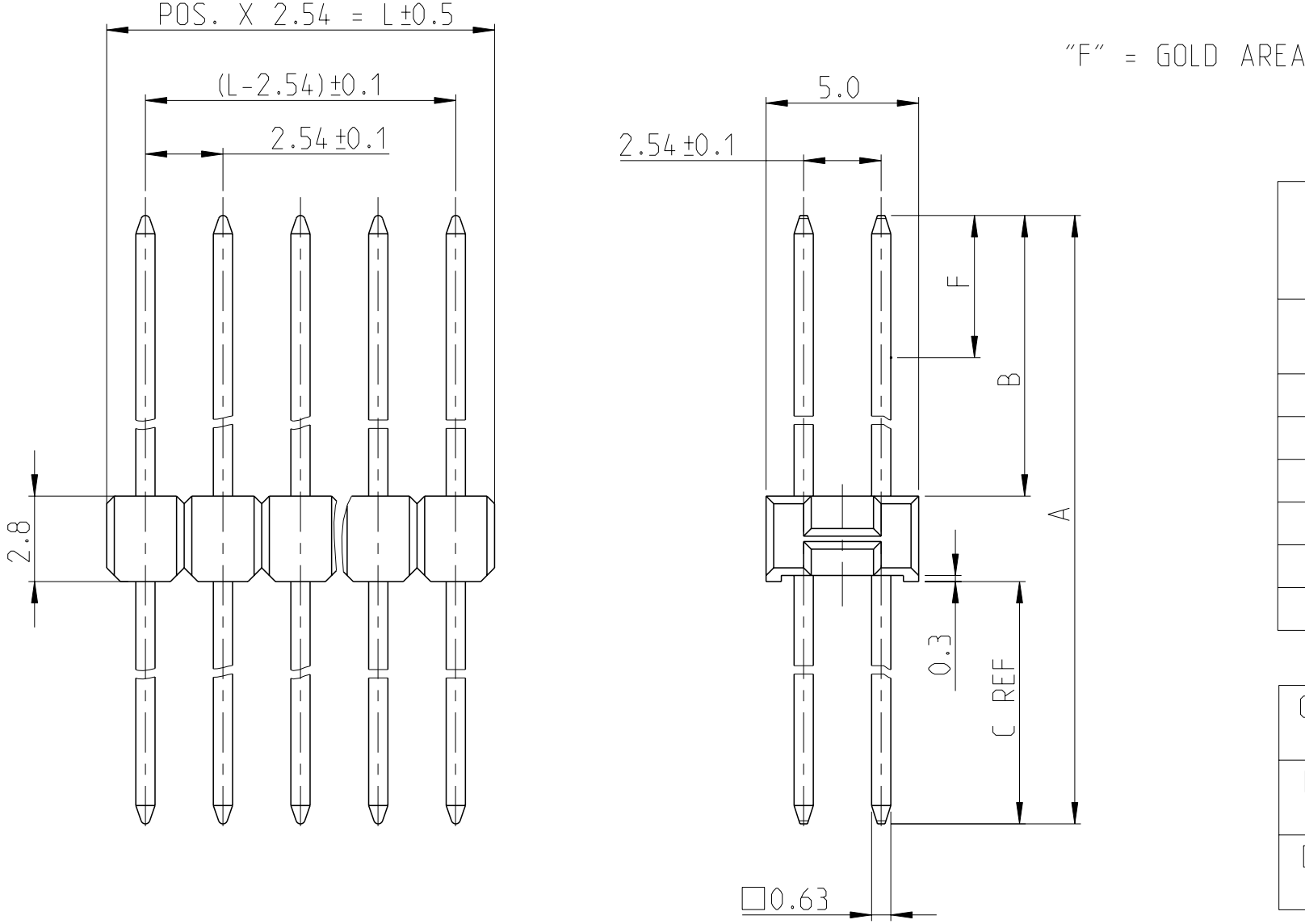
THE NUMBER OF POSITIONS PER ROW IS ALSO THE FACTOR FOR THE WEIGHT DETERMINATION
E.G: 20 X 0.0654 g = 1.308 g
- △8 OBSOLETE



SCALE 8:1
LAYOUT FOR HOLES ON PCB

THIS DRAWING IS A CONTROLLED DOCUMENT.		DWN G.HOLAUS 10NOV1989	TE Connectivity	
DIMENSIONS: mm		CHK SCHAARSCHMIDT M.		
TOLERANCES UNLESS OTHERWISE SPECIFIED: ±0.2mm		APVD	NAME AMPMODU II PIN HEADER, SINGLE ROW, DUAL ROW, VERTICAL AND RIGHT ANGLE MOUNT	
0 PLC ±		PRODUCT SPEC 108-18012	SIZE A2	CAGE CODE 00779
1 PLC ±		APPLICATION SPEC 114-25011	DRAWING NO C-826629	RESTRICTED TO -
2 PLC ±		WEIGHT -	SCALE 5:1	SHEET 1 OF 4
3 PLC ±		CUSTOMER DRAWING	REV AC	
4 PLC ±				
ANGLES FINISH -				
MATERIAL SEE TABLE				

REVISIONS				
P	LTR	DESCRIPTION	DATE	APVD
		SEE SHEET 1		



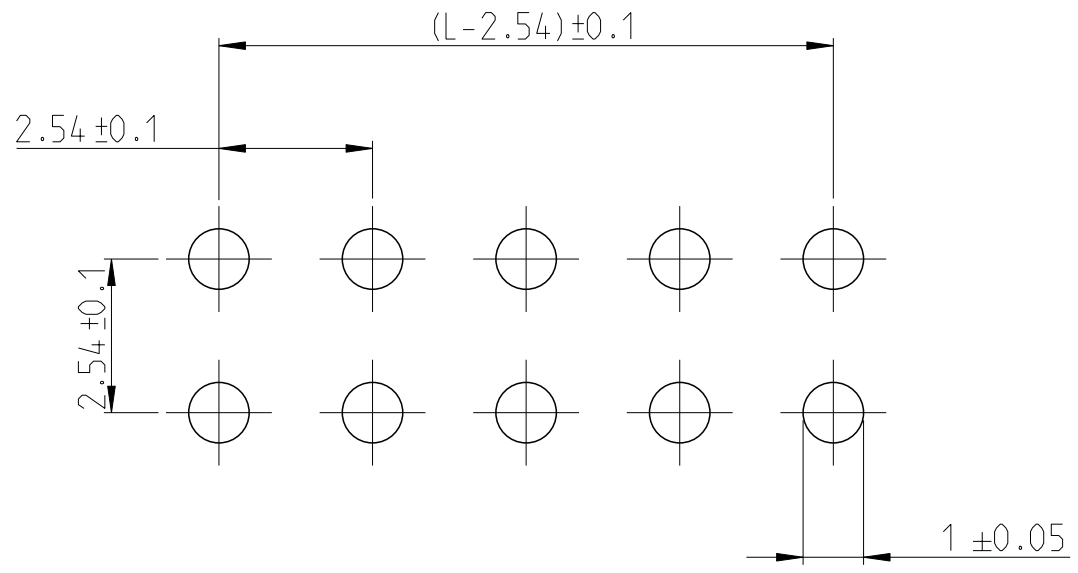
DIMENSION					PART-NO.		PART- NO.		PART- NO.		
					SELECTIVE GOLD PLATED		△7	TIN PLATED	△7	SELECTIVE GOLD PLATED	
A	B	C	F	-	△1 △5 △7	WEIGHT POS. PER ROW	△2 △5 △7	WEIGHT POS. PER ROW	△3 △4 △7	WEIGHT POS. PER ROW	
12.7	6.7	3.2	5.5	-	826632	0.1276 g	826925	0.1279 g	828420		0.1272 g
12.0	6.7	2.5	4.4	-	826633	0.1226 g	826941	0.1229 g			
11.8	5.8	3.2	4.4	-	826656	0.1212 g	826942	0.1217 g	△8 828533		0.1209 g
11.1	5.8	2.5	4.4	-	826657	0.1162 g	826943	0.1165 g			
14.0	8.0	3.2	4.4	-	826658	0.1366 g	826944	0.1370 g			
13.3	8.0	2.5	4.4	-	826659	0.1316 g	△8 826945	0.1323 g			

CONTACT PIN	CuZn	SEE TABLE
PIN HOUSING	PBT GV	SEE TABLE
DESCRIPTION	MATERIAL	FABRE/COLOR/PLATING/SURFACE

NOTES:

- △1 MATING SIDE : AREA "F" MIN 0.7µm PdNi + MIN 0.1µm GOLD OVER 1.27µm NICKEL BY AREA "B"
SOLDER SIDE: MIN 3µm TIN OVER 1.27µm NICKEL
- △2 MATING AND SOLDER SIDE : MIN 3µm TIN OVER 1.27µm NICKEL
- △3 MATING SIDE: AREA "F" 0.13µm GOLD OVER 1.27µm NICKEL BY AREA "B"
SOLDER SIDE: MIN 3µm TIN OVER 1.27µm NICKEL
- △4 COLOR OF HOUSING: GREY
- △5 COLOR OF HOUSING: GREEN
- △6 TOLERANCES NOT CUMULATIVE
- △7 THE NUMBER OF POSITION PER ROW HAS TO BE ADDED TO THE BASE NO. AS A DASH NO.
EG: 2-826632-0 = 20 POSITIONS

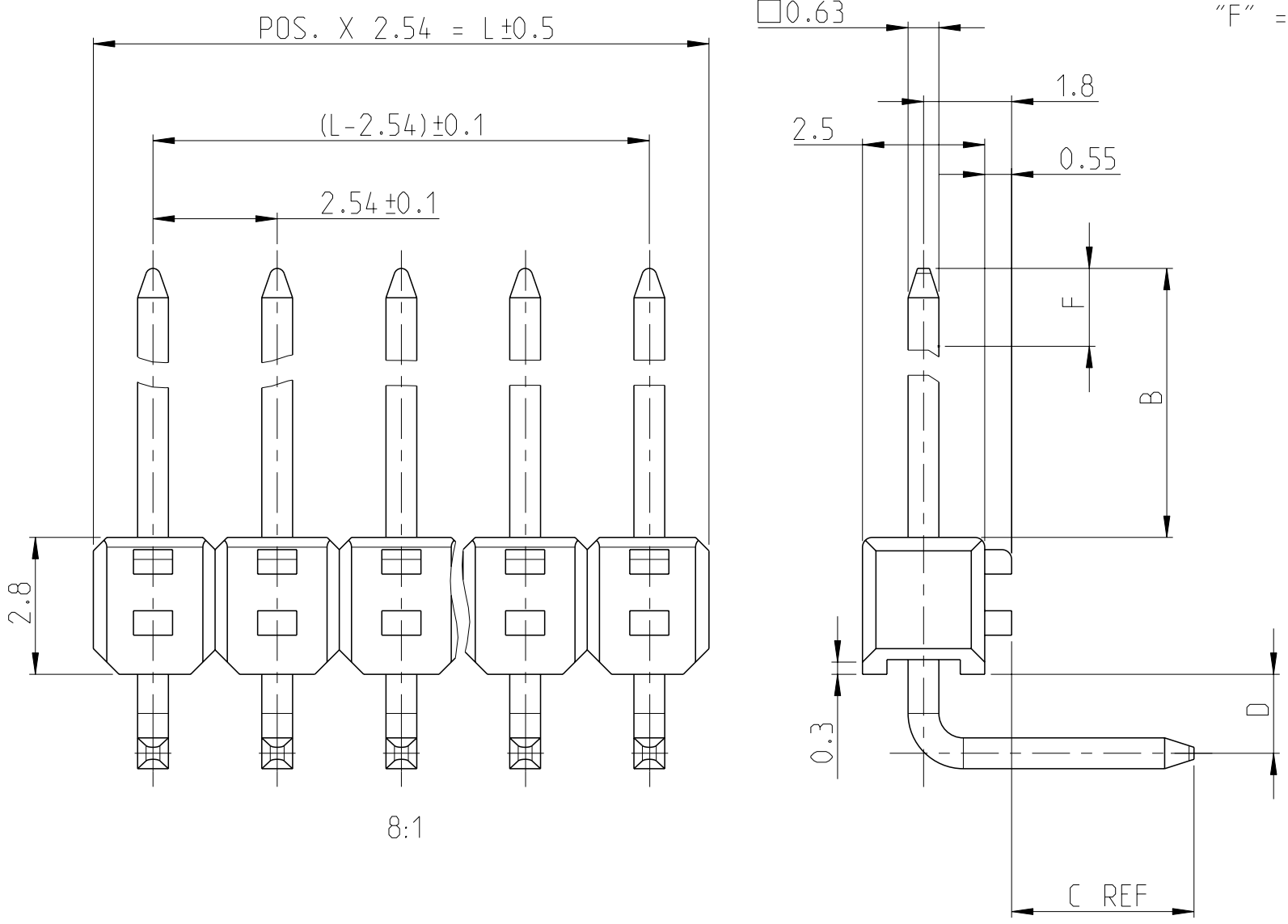
THE NUMBER OF POSITIONS PER ROW IS ALSO THE FACTOR FOR THE WEIGHT DETERMINATION
E.G: 20 X 0.1276 g = 2.552 g
- △8 OBSOLETE



SCALE 8:1
LAYOUT FOR HOLES ON PCB

THIS DRAWING IS A CONTROLLED DOCUMENT.		DWN G.HOLAUS 10NOV1989	TE Connectivity	
DIMENSIONS: mm		CHK SCHAARSCHMIDT M.		
TOLERANCES UNLESS OTHERWISE SPECIFIED: ±0.2mm △6		PRODUCT SPEC 108-18012	NAME AMPMODU II PIN HEADER, SINGLE ROW, DUAL ROW, VERTICAL AND RIGHT ANGLE MOUNT	
MATERIAL SEE TABLE		APPLICATION SPEC 114-25011	SIZE A2	
FINISH		WEIGHT -	CAGE CODE 00779	
		CUSTOMER DRAWING	DRAWING NO C-826629	
		SCALE 5:1	SHEET 2 OF 4	
		REV AC	RESTRICTED TO -	

REVISIONS				
P	LTR	DESCRIPTION	DATE	APVD
		SEE SHEET 1		



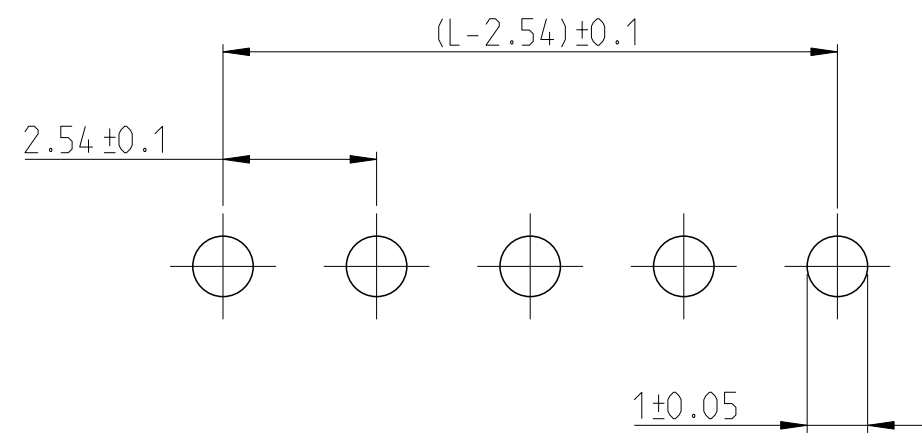
DIMENSION					PART-NO.		PART- NO.		PART- NO.	
					SELECTIVE GOLD PLATED		$\triangle 7$	TIN PLATED	$\triangle 7$	SELECTIVE GOLD PLATED
B	C	D	F	-	$\triangle 1$ $\triangle 5$ $\triangle 7$	WEIGHT POS. PER ROW	$\triangle 5$ $\triangle 7$	WEIGHT POS. PER ROW	$\triangle 3$ $\triangle 4$ $\triangle 7$	WEIGHT POS. PER ROW
6.7	3.2	1.3	4.4	-		826631	0.0757 g	826947 $\triangle 2$	0.0760 g	
6.7	2.5	1.3	4.4	-		826651	0.0731 g	826948 $\triangle 2$	0.0735 g	
5.8	3.2	1.3	4.4	-		826652	0.0726 g	826949 $\triangle 2$	0.0728 g	$\triangle 8$ 829071
5.8	2.5	1.3	4.4	-		826653	0.0701 g	826950 $\triangle 2$	0.0704 g	
8.0	3.2	1.3	4.4	-		826654	0.0803 g	826951 $\triangle 2$	0.0807 g	
8.0	2.5	1.3	4.4	-		826655	0.0777 g	$\triangle 9$ 826952 $\triangle 10$	0.0782 g	
6.7	3.2	1.3	5.5	-		-	-	-	$\triangle 8$ 828419	0.0758 g

CONTACT PIN	CuZn	SEE TABLE
CONTACT PIN	CuSn6 $\triangle 9$	SEE TABLE
PIN HOUSING	PBT GV	SEE TABLE
DESCRIPTION	MATERIAL	FABRE/COLOR/PALTING/SURFACE


NOTES:

- $\triangle 1$ MATING SIDE : AREA "F" MIN 0.7 μ m PdNi + MIN 0.1 μ m GOLD OVER 1.27 μ m NICKEL BY AREA "B"
SOLDER SIDE: MIN 3 μ m TIN OVER 1.27 μ m NICKEL
- $\triangle 2$ MATING AND SOLDER SIDE : MIN 3 μ m TIN OVER 1.27 μ m NICKEL
- $\triangle 3$ MATING SIDE: AREA "F" 0.13 μ m GOLD OVER 1.27 μ m NICKEL BY AREA "B"
SOLDER SIDE: MIN 3 μ m TIN OVER 1.27 μ m NICKEL
- $\triangle 4$ COLOR OF HOUSING: GREY
- $\triangle 5$ COLOR OF HOUSING: GREEN
- $\triangle 6$ TOLERANCES NOT CUMULATIVE
- $\triangle 7$ THE NUMBER OF POSITION PER ROW HAS TO BE ADDED TO THE BASE NO. AS A DASH NO.
EG: 2-826631-0 = 20 POSITIONS

THE NUMBER OF POSITIONS PER ROW IS ALSO THE FACTOR FOR THE WEIGHT DETERMINATION
E.G: 20 X 0.0757 g = 1.514 g
- $\triangle 8$ OBSOLETE
- $\triangle 10$ MATING AND SOLDER SIDE : 2 μ m TIN OVER 1.27 μ m NICKEL

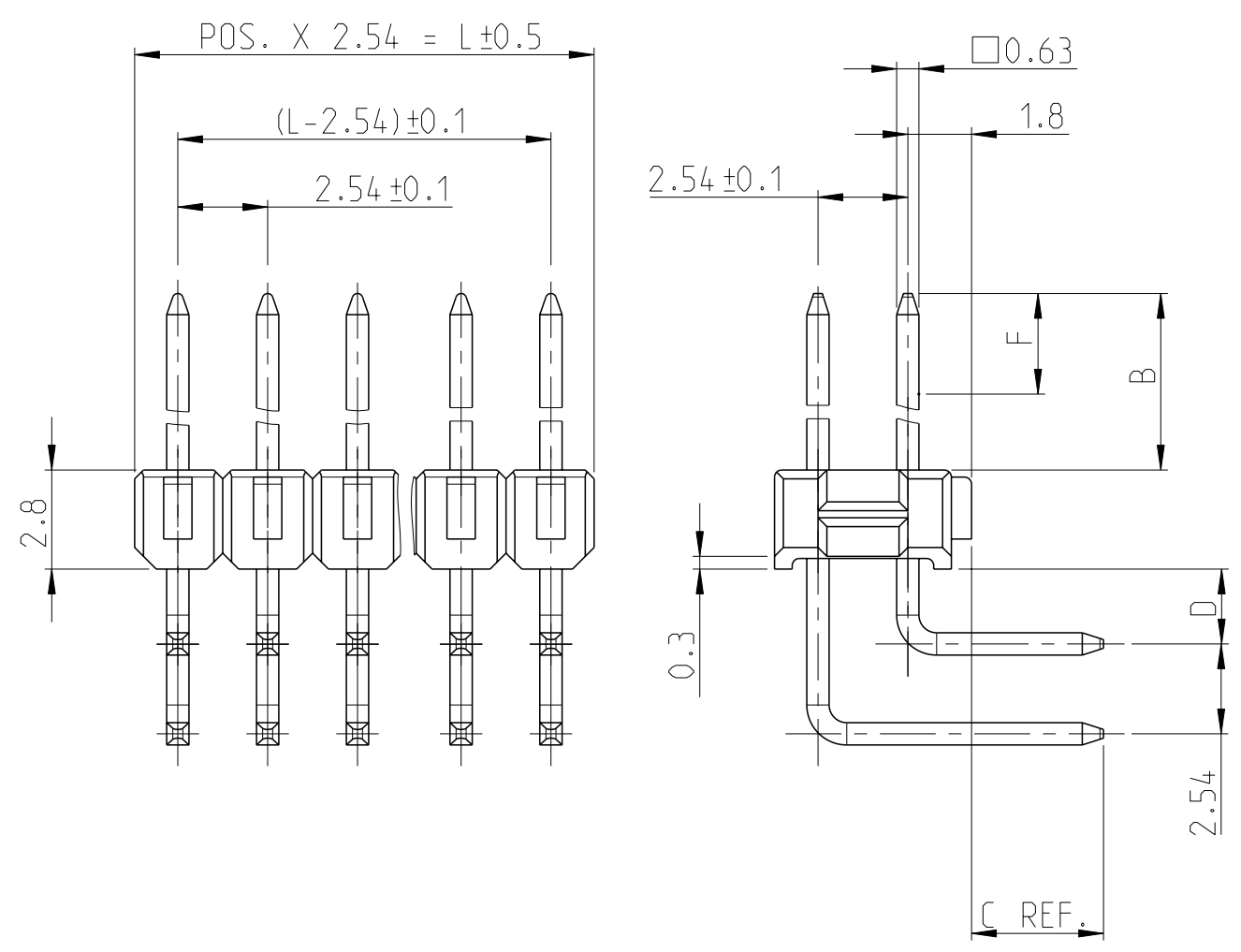


SCALE 8:1
LAYOUT FOR HOLES ON PCB

THIS DRAWING IS A CONTROLLED DOCUMENT.		DWN G.HOLAUS 10NOV1989	 TE Connectivity		
DIMENSIONS: mm		CHK SCHAARSCHMIDT M.			
TOLERANCES UNLESS OTHERWISE SPECIFIED: ± 0.2 mm $\triangle 6$		APVD -	NAME AMPMODU II PIN HEADER, SINGLE ROW, DUAL ROW, VERTICAL AND RIGHT ANGLE MOUNT		
MATERIAL SEE TABLE		PRODUCT SPEC 108-18012	SIZE A2	CAGE CODE 00779	DRAWING NO. C-826629
FINISH -		APPLIC. SPEC 114-25011	RESTRICTED TO -	SCALE 5:1	SHEET 3 OF 4
-		WEIGHT -	REV AC		
-		CUSTOMER DRAWING		SCALE 5:1 SHEET 3 OF 4 REV AC	

THIS DRAWING IS UNPUBLISHED. RELEASED FOR PUBLICATION 20
 © COPYRIGHT 20 BY - ALL RIGHTS RESERVED.

REVISIONS				
P	LTR	DESCRIPTION	DATE	APVD
		SEE SHEET 1		



"F" = GOLD AREA

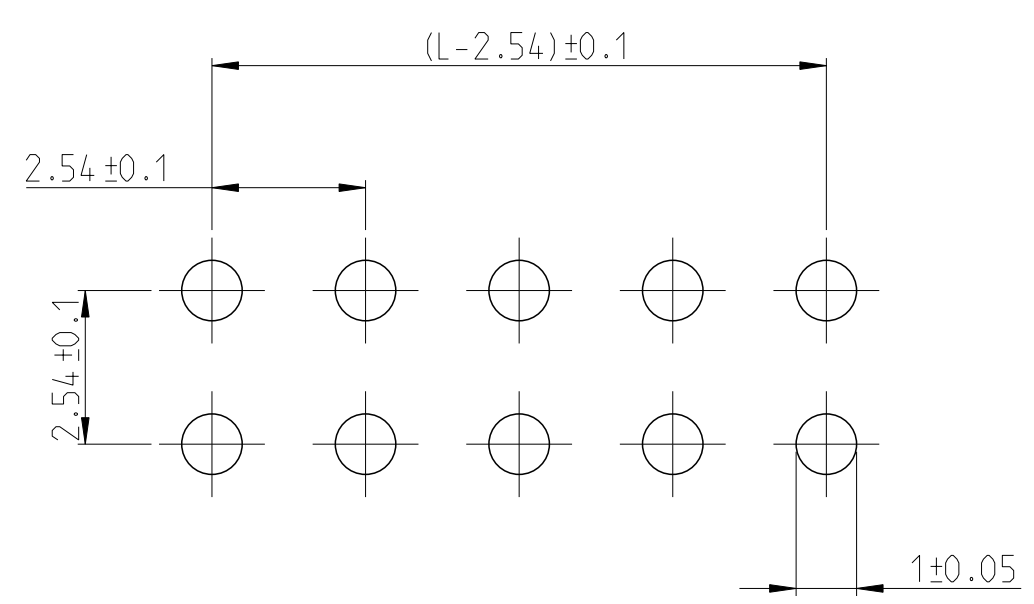
DIMENSION					PART-NO.		PART- NO.		PART- NO.	
					SELECTIVE GOLD PLATED	△7	TIN PLATED	△7	SELECTIVE GOLD PLATED	△7
B	C	D	F	-	△1 △5 △7	WEIGHT POS. PER ROW	△2 △5 △7	WEIGHT POS. PER ROW	△3 △4 △7	WEIGHT POS. PER ROW
6.7	3.2	1.3	4.4	-	826634	0.1646 g	826953	0.1656 g	△8 828418	0.1651 g
6.7	2.5	1.3	4.4	-	△8 826661	0.1597 g	△8 826954	0.1606 g		
5.8	3.2	1.3	4.4	-	826662	0.1587 g	826955	0.1603 g	△8 829072	0.1587 g
5.8	2.5	1.3	4.4	-	826663	0.1538 g	△8 826956	0.1542 g		
8.0	3.2	1.3	4.4	-	826664	0.1741 g	826957	0.1749 g		
8.0	2.5	1.3	4.4	-	826665	0.1687 g	△8 826958	0.1699 g		

CONTACT PIN	CuZn	SEE TABLE
PIN HOUSING	PBT GV	SEE TABLE
DESCRIPTION	MATERIAL	FABRE/COLOR/PALTING/SURFACE

NOTES:

- △1 MATING SIDE : AREA "F" MIN 0.7 µm PdNi + MIN 0.1 µm GOLD OVER 1.27 µm NICKEL BY AREA "B"
SOLDER SIDE: MIN 3 µm TIN OVER 1.27 µm NICKEL
- △2 MATING AND SOLDER SIDE : MIN 3 µm TIN OVER 1.27 µm NICKEL
- △3 MATING SIDE: AREA "F" 0.13 µm GOLD OVER 1.27 µm NICKEL BY AREA "B"
SOLDER SIDE: MIN 3 µm TIN OVER 1.27 µm NICKEL
- △4 COLOR OF HOUSING: GREY
- △5 COLOR OF HOUSING: GREEN
- △6 TOLERANCES NOT CUMULATIVE
- △7 THE NUMBER OF POSITION PER ROW HAS TO BE ADDED TO THE BASE NO. AS A DASH NO.
EG: 2-826634-0 = 20 POSITIONS

THE NUMBER OF POSITIONS PER ROW IS ALSO THE FACTOR FOR THE WEIGHT DETERMINATION
E.G: 20 X 0.1646 g = 3.292 g
- △8 OBSOLETE



SCALE 8:1
LAYOUT FOR HOLES ON PCB

THIS DRAWING IS A CONTROLLED DOCUMENT.		DWN G.HOLAUS 10NOV1989	TE Connectivity	
DIMENSIONS: mm		CHK SCHAARSCHMIDT M.		
TOLERANCES UNLESS OTHERWISE SPECIFIED: ±0.2mm		APVD	NAME AMPMODU II PIN HEADER, SINGLE ROW, DUAL ROW, VERTICAL AND RIGHT ANGLE MOUNT	
		PRODUCT SPEC 108-18012	SIZE A2	
MATERIAL SEE TABLE		APPLICATION SPEC 114-25011	CAGE CODE 00779	DRAWING NO C-826629
FINISH		WEIGHT	RESTRICTED TO	
		CUSTOMER DRAWING	SCALE 5:1	SHEET 4 OF 4

Mouser Electronics

Authorized Distributor

Click to View Pricing, Inventory, Delivery & Lifecycle Information:

[TE Connectivity:](#)

[1-826629-9](#)