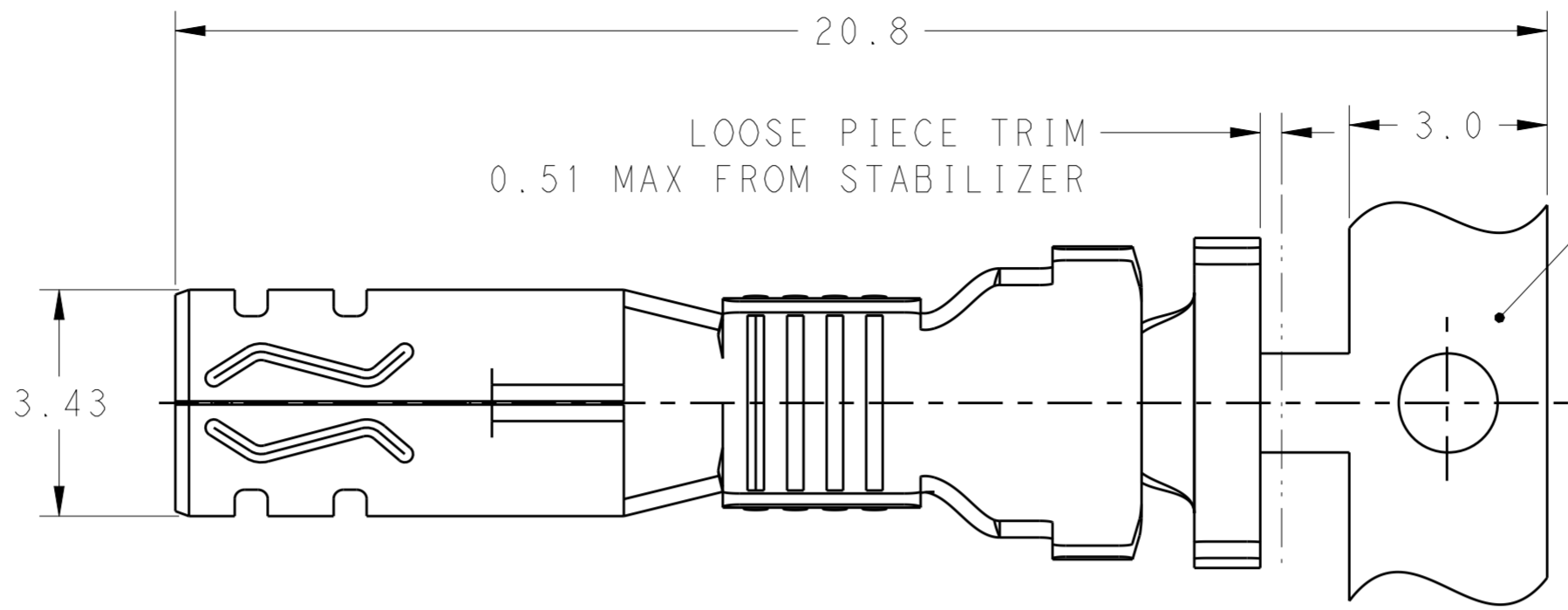
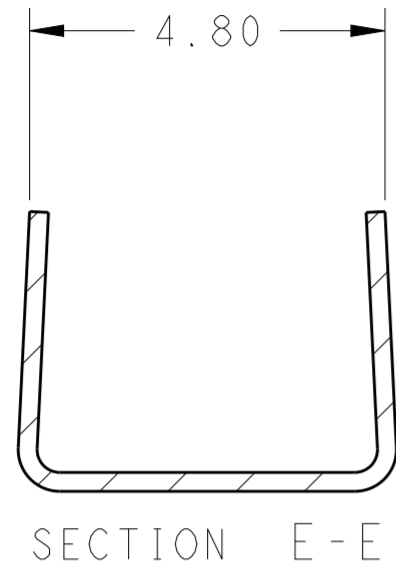
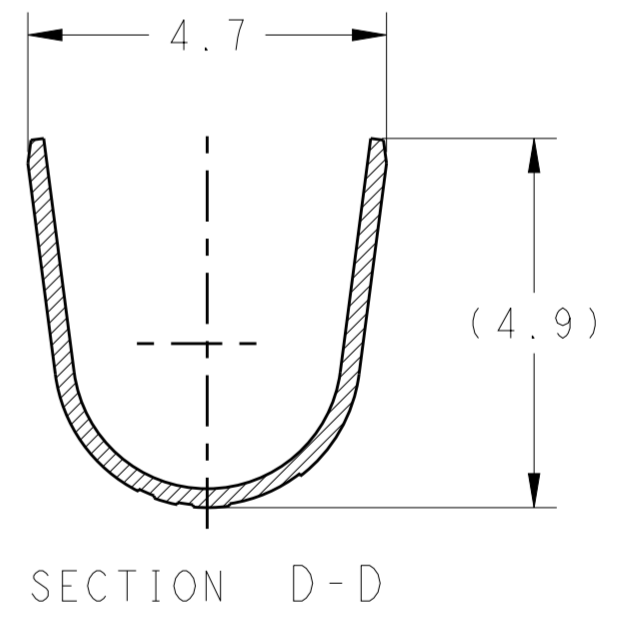
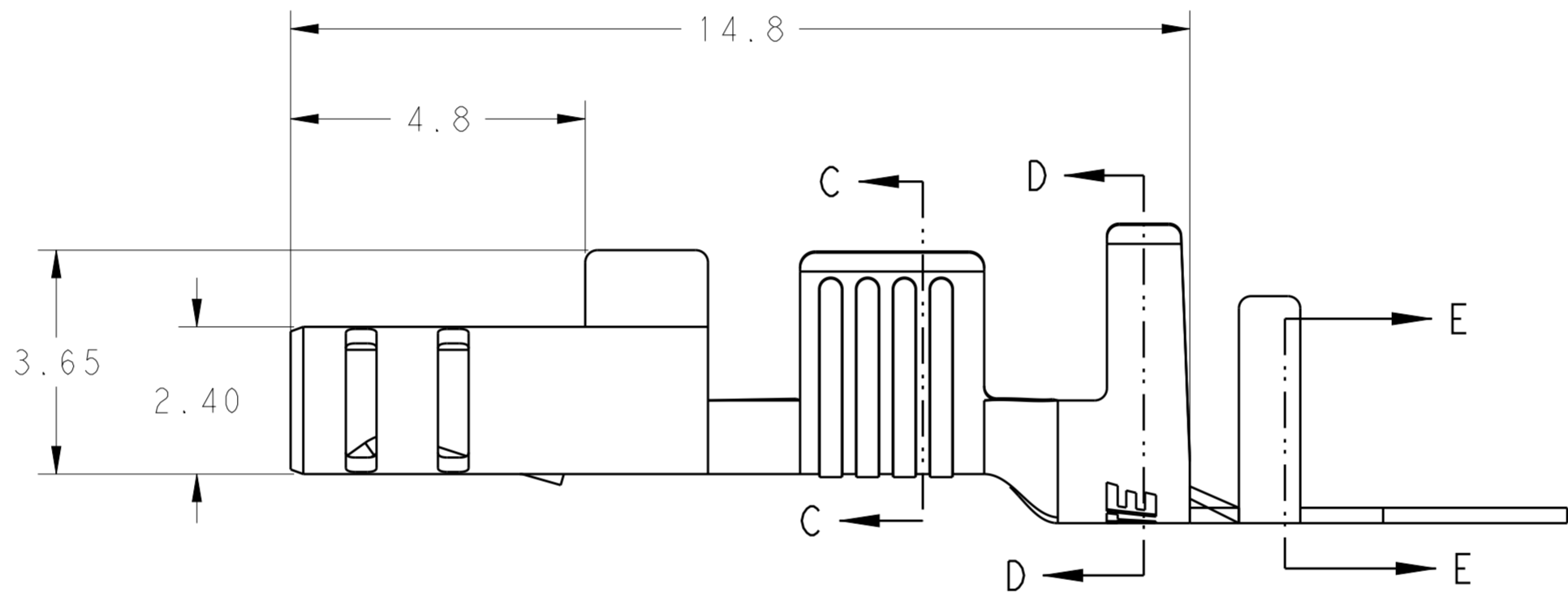
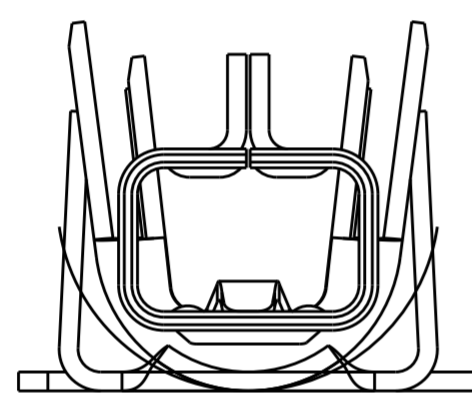
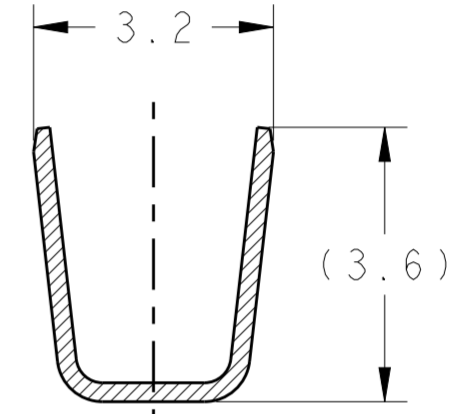


THIS DRAWING IS UNPUBLISHED. RELEASED FOR PUBLICATION 20
 © COPYRIGHT 20 BY - ALL RIGHTS RESERVED.

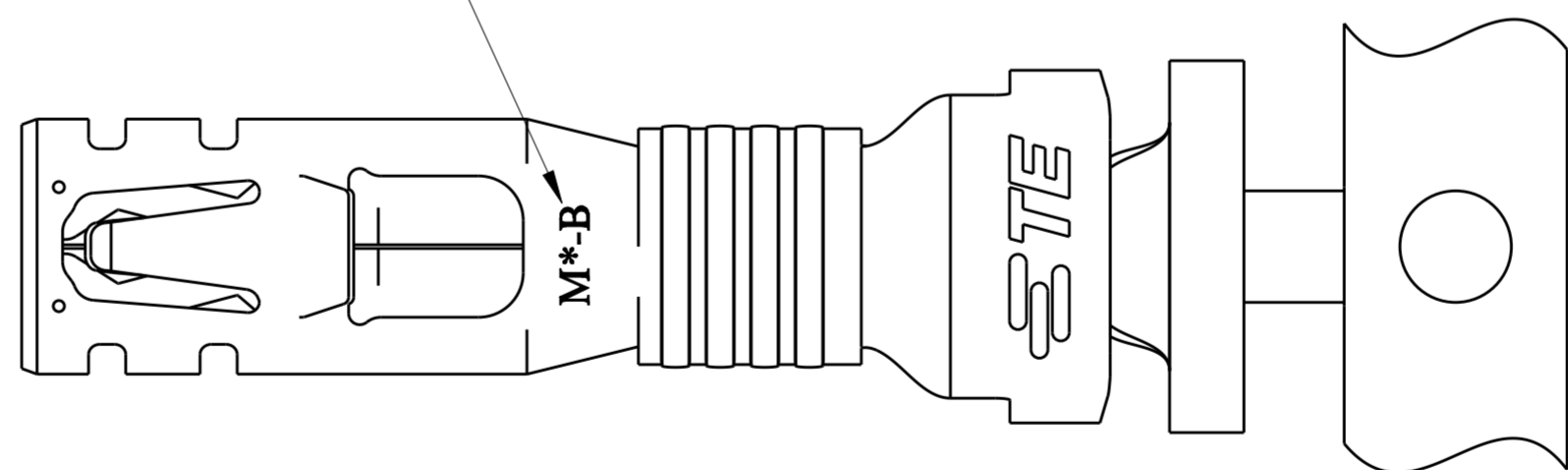
LOC		DIST		REVISIONS			
P	LTR	DESCRIPTION	DATE	DWN	APVD		
	D3	REVISED PER ECR-19-002195	14FEB2019	RS	GJ		



CARRIER NOT PRESENT ON LOOSE PIECE



△ MATERIAL/SIZE MARK



1. RECOMENDED WIRE RANGE: 14 AWG COPPER STRANDED (3500-4300 CMA)
2. APPLICABLE INSULATION DIAMETER: 3.40~3.70mm,
3. APPLICABLE MATED PLUG HOUSING P/N:
 -1971773-/*-1971776-*/*-1971876-*/
 -2232265-/*-2232266-*/*-2232357-*

△ WIRE SIZE INDICATOR "B"=14 AWG

5. THIS PRODUCT HAS NOT COMPLETED VALIDATION TESTING.

CONFIGURATION	MATERIAL	TEMP. RATING	△ MATERIAL/SIZE MARK	PART NO
LOOSE PIECE	COPPER ALLOY	HIGH 150°C	M0-B	4-1971781-2
CONTINUOUS W CARRIER	COPPER ALLOY	HIGH(150°C)	M0-B	1971781-2
CONTINUOUS W CARRIER	PHOS BRONZE	STANDARD(105°C)	M1-B	1971781-1

THIS DRAWING IS A CONTROLLED DOCUMENT.

DIMENSIONS: mm	TOLERANCES UNLESS OTHERWISE SPECIFIED: 0 PLC ± 0.5 1 PLC ± 0.5 2 PLC ± 0.30 3 PLC ± 0.30 4 PLC ± 0.30 ANGLES ± FINISH	DWN TOMMY WU 11JUL2012 CHK HAPYE WU 11JUL2012 APVD YUHHONG MAO 11JUL2012	TE Connectivity	
MATERIAL: SEE TABLE	PRE-TIN	PRODUCT SPEC: 108-106118 APPLICATION SPEC: 114-106118	RECEPTACLE CONTACT POWER TRIPLE LOCK SIZE: A2 CAGE CODE: 100779 DRAWING NO: 1971781	
Customer Drawing		WEIGHT: -	SCALE: 6:1	SHEET 1 OF 1 REV D3