

# TPS55332EVM

## Contents

1	Introduction .....	1
2	Setup .....	2
2.1	Input/Output Connector Description .....	2
2.2	Setup .....	2
2.3	Operation .....	2
2.4	EMC Filter .....	2
3	Board Layout .....	2
4	Schematic and Bill of Materials .....	5
4.1	Schematic.....	5
4.2	Bill of Materials .....	6

## List of Figures

1	Enable Jumper Settings.....	2
2	Top Assembly Layer.....	3
3	Top Layer Routing .....	3
4	Bottom Layer Routing .....	4
5	TPS55332EVM Schematic .....	5

## List of Tables

1	Device and Package Configurations .....	1
2	TPS55332EVM Bill of Materials .....	6

## 1 Introduction

The Texas Instruments TPS55332EVM evaluation module (EVM) helps designers evaluate the operation and performance of the TPS55332 Switch Mode Power Supply – Boost Regulator. The device offers configurability and can be setup to operate at a switching frequency from 80kHz to 2.2MHz.

The EVM contains one DC / DC converter (See [Table 1](#)).

**Table 1. Device and Package Configurations**

CONVERTER	IC	PACKAGE
U1	TPS55332QPWPQ1	PWP-20

## 2 Setup

This section describes the jumpers and connectors on the EVM as well and how to properly connect, set up and use the TPS55332EVM.

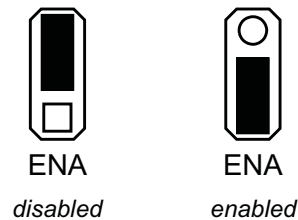
### 2.1 Input/Output Connector Description

**J1 – Input** is the power input terminal for the converter. The terminal block provides a power ( $V_{bat}$ ) and ground (GND) connection to allow the user to attach the EVM to a cable harness.

**J2 – Output** is the regulated output voltage for the converter. The terminal block provides a power ( $V_{OUT}$ ) and ground (GND) connection to allow the user to attach the EVM to a cable harness.

**J3 – Sync** is the input terminal for an optional external input clock to the converter. The external clock can be used to synchronize the switching frequency for multiple devices. The external clock frequency must meet the  $F_{sw} < F_{ext} < 2 \times F_{sw}$  guideline, if used.

**JP1 – Enable** is the jumper used to enable the converter. The converter will be enabled when the Enable is high and disabled when low. The jumper placement allows the converter to be enabled or disabled.



**Figure 1. Enable Jumper Settings**

### 2.2 Setup

The input voltage range for the converter is 3.6 volts to 24 volts. A load should be applied to the Output terminal for proper operation.

### 2.3 Operation

For proper operation of the TPS55332, JP1 should be properly configured. The recommended setting, using shorting blocks.

JP1 to Enabled

In this configuration, the device will power up when power is applied.

### 2.4 EMC Filter

The EVM has a pi filter input stage to provide improved EMC performance. A reverse battery protection diode, D2, is also installed. The diode and pi filter are not required for normal operation of the boost regulator.

## 3 Board Layout

[Figure 2](#), [Figure 3](#) and [Figure 4](#) show the board layout for the TPS55332EVM PWB. A jumper is provided to Enable the device.

The TPS55332 are high efficiency, but does dissipate power. The PowerPAD™ package offers an exposed thermal pad to enhance thermal performance. This must be soldered to the copper landing on the PCB for optimal performance. The PCB provides 2 oz copper planes on the top and bottom to dissipate heat.

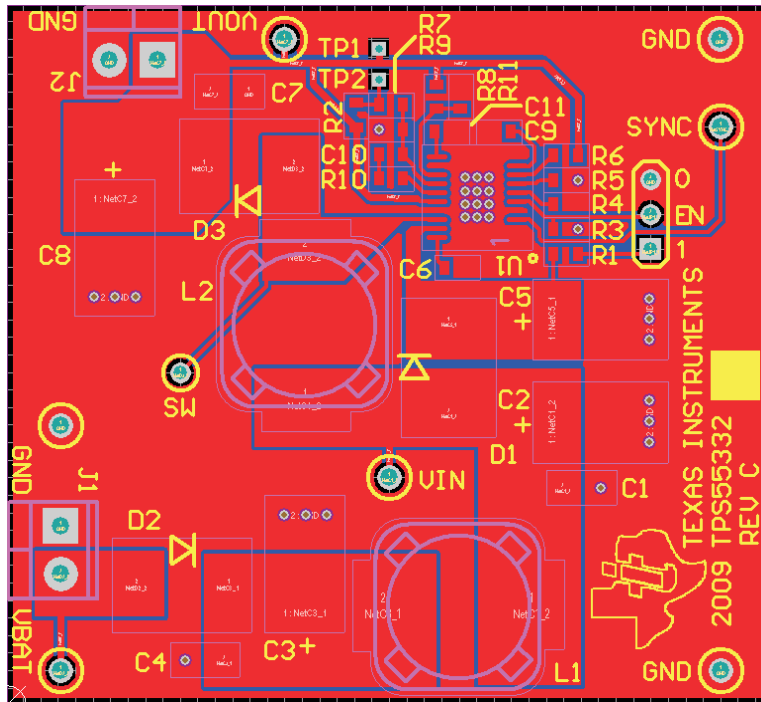


Figure 2. Top Assembly Layer

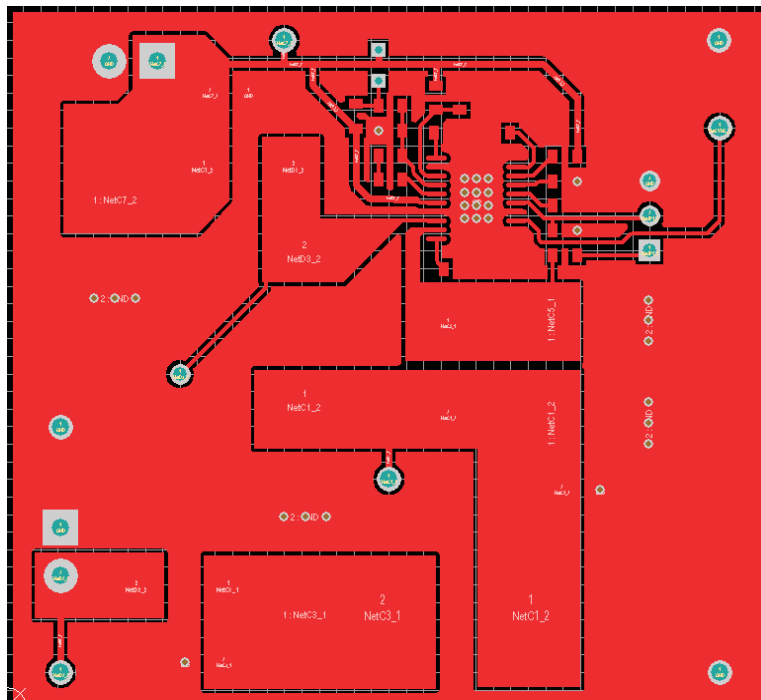


Figure 3. Top Layer Routing

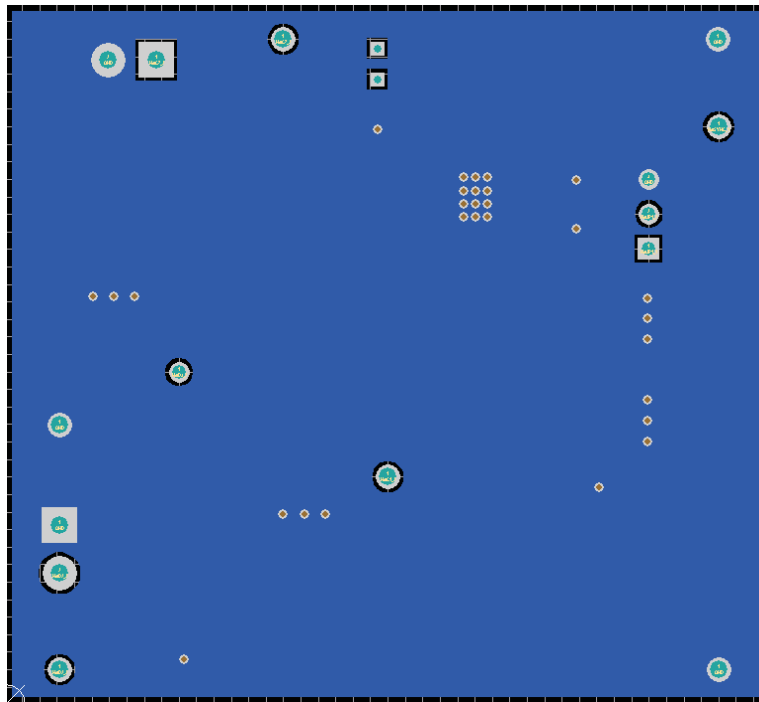


Figure 4. Bottom Layer Routing

## 4 Schematic and Bill of Materials

### 4.1 Schematic

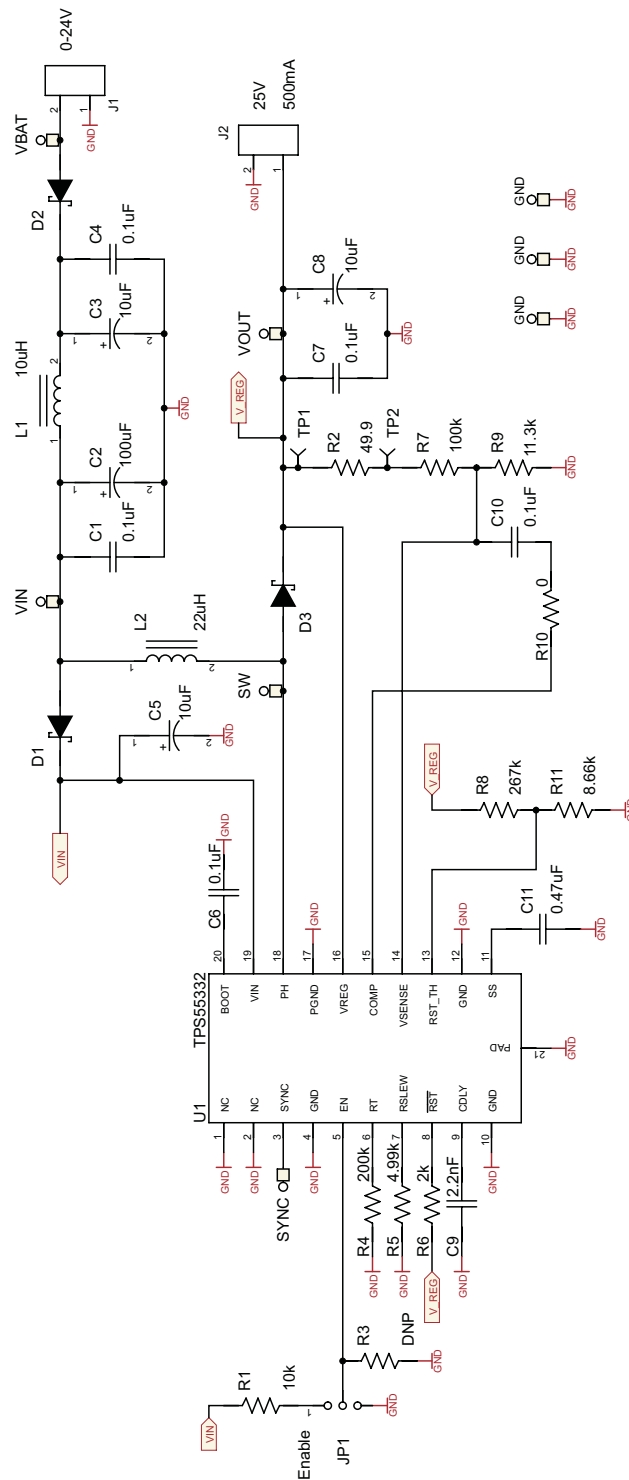


Figure 5. TPS55332EVM Schematic

## 4.2 Bill of Materials

**Table 2. TPS55332EVM Bill of Materials**

COUNT	REF DES	DESCRIPTION	SIZE	MFR	PART NUMBER
3	C1, C4, C7	Capacitor, ceramic, 0.1uF, 50V, 10%	1206	KEMET	C1206C104K5RACTU
1	C2	Capacitor, electrolytic, 100uF, 50V, 20%	8.3mm x 8.3mm	Panasonic	EEV-FK1H101P
2	C3, C5	Capacitor, electrolytic, 10uF, 50V, 20%	5.0mm x 5.8mm	Panasonic	EEV-FK1H100UR
2	C6, C10	Capacitor, ceramic, 0.1uF, 50V, 10%	0603	muRata	GCM188R71H104KA57B
1	C8	Capacitor, ceramic, 10uF, 50V, 10%	2220	TDK	C5750X7R1H106M
1	C9	Capacitor, ceramic, 2.2nF, 50V, 10%	0603	muRata	GCM1885C1H222JA16B
1	C11	Capacitor, ceramic, 0.47uF, 16V, 10%	0603	muRata	GCM188R71C474KA55B
3	D1, D2, D3	Diode, Schottky, 3A, 100V	SMC	IR	30BQ100
2	J1, J2	Terminal block, 2-pin, 6A, 3.5mm	0.25 × 0.27	OST	ED1514
5	SW, SYNC, VBAT, VIN, VOUT	Test point, 52-mil	0.052	Kobiconn	151-103-RC
1	EN	Header, 3-pin, 100-mil spacing, (36-pin strip)	0.100 × 3	Sullins	PEC03SAAN
1	EN	Connector jumper, shorting, 100-mil spacing	0.100	Sullins	SPC02SYAN
1	L1	Inductor, SMT, 10-uH	12.3mm × 12.3mm	Coilcraft	MSS1278T-103
1	L2	Inductor, SMT, 22-uH	12.3mm × 12.3mm	Coilcraft	MSS1278T-223
1	R1	Resistor, chip, 10-kΩ , 1/16W, 1%	0603	Panasonic	ERJ-3EKF1004V
1	R2	Resistor, chip, 49.9-Ω , 1/16W, 1%	0603	Panasonic	ERJ-3EKF49R9V
1	R3	Do not populate			
1	R4	Resistor, chip, 200-kΩ , 1/16W, 1%	0603	Panasonic	ERJ-3EKF2003V
1	R5	Resistor, chip, 4.99-kΩ , 1/16W, 1%	0603	Panasonic	ERJ-3EKF4991V
1	R6	Resistor, chip, 2-kΩ , 1/16W, 1%	0603	Panasonic	ERJ-3EKF2001V
1	R7	Resistor, chip, 100-kΩ , 1/16W, 1%	0603	Panasonic	ERJ-3EKF1003V
1	R8	Resistor, chip, 267-kΩ , 1/16W, 1%	0603	Panasonic	ERJ-3EKF2673V
1	R9	Resistor, chip, 11.3- kΩ , 1/16W, 1%	0603	Panasonic	ERJ-3EKF1132V
1	R10	Resistor, chip, 0-Ω , 1/16W, 1%	0603	Panasonic	ERJ-3GEY0R00V
1	R11	Resistor, chip, 8.66-kΩ , 1/16W, 1%	0603	Panasonic	ERJ-3EKF8661V
1	U1	IC, TPS55332-Q1PWPR		TI	TPS55332QPWP
1	-	PCB, 2.2-inch x 2.0-inch x 0.062		Any	TPS55332, REV C

## EVALUATION BOARD/KIT IMPORTANT NOTICE

Texas Instruments (TI) provides the enclosed product(s) under the following conditions:

This evaluation board/kit is intended for use for **ENGINEERING DEVELOPMENT, DEMONSTRATION, OR EVALUATION PURPOSES ONLY** and is not considered by TI to be a finished end-product fit for general consumer use. Persons handling the product(s) must have electronics training and observe good engineering practice standards. As such, the goods being provided are not intended to be complete in terms of required design-, marketing-, and/or manufacturing-related protective considerations, including product safety and environmental measures typically found in end products that incorporate such semiconductor components or circuit boards. This evaluation board/kit does not fall within the scope of the European Union directives regarding electromagnetic compatibility, restricted substances (RoHS), recycling (WEEE), FCC, CE or UL, and therefore may not meet the technical requirements of these directives or other related directives.

Should this evaluation board/kit not meet the specifications indicated in the User's Guide, the board/kit may be returned within 30 days from the date of delivery for a full refund. **THE FOREGOING WARRANTY IS THE EXCLUSIVE WARRANTY MADE BY SELLER TO BUYER AND IS IN LIEU OF ALL OTHER WARRANTIES, EXPRESSED, IMPLIED, OR STATUTORY, INCLUDING ANY WARRANTY OF MERCHANTABILITY OR FITNESS FOR ANY PARTICULAR PURPOSE.**

The user assumes all responsibility and liability for proper and safe handling of the goods. Further, the user indemnifies TI from all claims arising from the handling or use of the goods. Due to the open construction of the product, it is the user's responsibility to take any and all appropriate precautions with regard to electrostatic discharge.

**EXCEPT TO THE EXTENT OF THE INDEMNITY SET FORTH ABOVE, NEITHER PARTY SHALL BE LIABLE TO THE OTHER FOR ANY INDIRECT, SPECIAL, INCIDENTAL, OR CONSEQUENTIAL DAMAGES.**

TI currently deals with a variety of customers for products, and therefore our arrangement with the user **is not exclusive.**

TI assumes **no liability for applications assistance, customer product design, software performance, or infringement of patents or services described herein.**

Please read the User's Guide and, specifically, the Warnings and Restrictions notice in the User's Guide prior to handling the product. This notice contains important safety information about temperatures and voltages. For additional information on TI's environmental and/or safety programs, please contact the TI application engineer or visit [www.ti.com/esh](http://www.ti.com/esh).

No license is granted under any patent right or other intellectual property right of TI covering or relating to any machine, process, or combination in which such TI products or services might be or are used.

### FCC Warning

This evaluation board/kit is intended for use for **ENGINEERING DEVELOPMENT, DEMONSTRATION, OR EVALUATION PURPOSES ONLY** and is not considered by TI to be a finished end-product fit for general consumer use. It generates, uses, and can radiate radio frequency energy and has not been tested for compliance with the limits of computing devices pursuant to part 15 of FCC rules, which are designed to provide reasonable protection against radio frequency interference. Operation of this equipment in other environments may cause interference with radio communications, in which case the user at his own expense will be required to take whatever measures may be required to correct this interference.

Mailing Address: Texas Instruments, Post Office Box 655303, Dallas, Texas 75265  
Copyright © 2009, Texas Instruments Incorporated

### EVM WARNINGS AND RESTRICTIONS

It is important to operate this EVM within the input voltage range of 0V to 40V and the output voltage range of 2.5V to 50V.

Exceeding the specified input range may cause unexpected operation and/or irreversible damage to the EVM. If there are questions concerning the input range, please contact a TI field representative prior to connecting the input power.

Applying loads outside of the specified output range may result in unintended operation and/or possible permanent damage to the EVM. Please consult the EVM User's Guide prior to connecting any load to the EVM output. If there is uncertainty as to the load specification, please contact a TI field representative.

During normal operation, some circuit components may have case temperatures greater than 85°C. The EVM is designed to operate properly with certain components above 85°C as long as the input and output ranges are maintained. These components include but are not limited to linear regulators, switching transistors, pass transistors, and current sense resistors. These types of devices can be identified using the EVM schematic located in the EVM User's Guide. When placing measurement probes near these devices during operation, please be aware that these devices may be very warm to the touch.

Mailing Address: Texas Instruments, Post Office Box 655303, Dallas, Texas 75265  
Copyright © 2009, Texas Instruments Incorporated

## IMPORTANT NOTICE

Texas Instruments Incorporated and its subsidiaries (TI) reserve the right to make corrections, modifications, enhancements, improvements, and other changes to its products and services at any time and to discontinue any product or service without notice. Customers should obtain the latest relevant information before placing orders and should verify that such information is current and complete. All products are sold subject to TI's terms and conditions of sale supplied at the time of order acknowledgment.

TI warrants performance of its hardware products to the specifications applicable at the time of sale in accordance with TI's standard warranty. Testing and other quality control techniques are used to the extent TI deems necessary to support this warranty. Except where mandated by government requirements, testing of all parameters of each product is not necessarily performed.

TI assumes no liability for applications assistance or customer product design. Customers are responsible for their products and applications using TI components. To minimize the risks associated with customer products and applications, customers should provide adequate design and operating safeguards.

TI does not warrant or represent that any license, either express or implied, is granted under any TI patent right, copyright, mask work right, or other TI intellectual property right relating to any combination, machine, or process in which TI products or services are used. Information published by TI regarding third-party products or services does not constitute a license from TI to use such products or services or a warranty or endorsement thereof. Use of such information may require a license from a third party under the patents or other intellectual property of the third party, or a license from TI under the patents or other intellectual property of TI.

Reproduction of TI information in TI data books or data sheets is permissible only if reproduction is without alteration and is accompanied by all associated warranties, conditions, limitations, and notices. Reproduction of this information with alteration is an unfair and deceptive business practice. TI is not responsible or liable for such altered documentation. Information of third parties may be subject to additional restrictions.

Resale of TI products or services with statements different from or beyond the parameters stated by TI for that product or service voids all express and any implied warranties for the associated TI product or service and is an unfair and deceptive business practice. TI is not responsible or liable for any such statements.

TI products are not authorized for use in safety-critical applications (such as life support) where a failure of the TI product would reasonably be expected to cause severe personal injury or death, unless officers of the parties have executed an agreement specifically governing such use. Buyers represent that they have all necessary expertise in the safety and regulatory ramifications of their applications, and acknowledge and agree that they are solely responsible for all legal, regulatory and safety-related requirements concerning their products and any use of TI products in such safety-critical applications, notwithstanding any applications-related information or support that may be provided by TI. Further, Buyers must fully indemnify TI and its representatives against any damages arising out of the use of TI products in such safety-critical applications.

TI products are neither designed nor intended for use in military/aerospace applications or environments unless the TI products are specifically designated by TI as military-grade or "enhanced plastic." Only products designated by TI as military-grade meet military specifications. Buyers acknowledge and agree that any such use of TI products which TI has not designated as military-grade is solely at the Buyer's risk, and that they are solely responsible for compliance with all legal and regulatory requirements in connection with such use.

TI products are neither designed nor intended for use in automotive applications or environments unless the specific TI products are designated by TI as compliant with ISO/TS 16949 requirements. Buyers acknowledge and agree that, if they use any non-designated products in automotive applications, TI will not be responsible for any failure to meet such requirements.

Following are URLs where you can obtain information on other Texas Instruments products and application solutions:

### Products

Amplifiers	<a href="http://amplifier.ti.com">amplifier.ti.com</a>
Data Converters	<a href="http://dataconverter.ti.com">dataconverter.ti.com</a>
DLP® Products	<a href="http://www.dlp.com">www.dlp.com</a>
DSP	<a href="http://dsp.ti.com">dsp.ti.com</a>
Clocks and Timers	<a href="http://www.ti.com/clocks">www.ti.com/clocks</a>
Interface	<a href="http://interface.ti.com">interface.ti.com</a>
Logic	<a href="http://logic.ti.com">logic.ti.com</a>
Power Mgmt	<a href="http://power.ti.com">power.ti.com</a>
Microcontrollers	<a href="http://microcontroller.ti.com">microcontroller.ti.com</a>
RFID	<a href="http://www.ti-rfid.com">www.ti-rfid.com</a>
RF/IF and ZigBee® Solutions	<a href="http://www.ti.com/lprf">www.ti.com/lprf</a>

### Applications

Audio	<a href="http://www.ti.com/audio">www.ti.com/audio</a>
Automotive	<a href="http://www.ti.com/automotive">www.ti.com/automotive</a>
Broadband	<a href="http://www.ti.com/broadband">www.ti.com/broadband</a>
Digital Control	<a href="http://www.ti.com/digitalcontrol">www.ti.com/digitalcontrol</a>
Medical	<a href="http://www.ti.com/medical">www.ti.com/medical</a>
Military	<a href="http://www.ti.com/military">www.ti.com/military</a>
Optical Networking	<a href="http://www.ti.com/opticalnetwork">www.ti.com/opticalnetwork</a>
Security	<a href="http://www.ti.com/security">www.ti.com/security</a>
Telephony	<a href="http://www.ti.com/telephony">www.ti.com/telephony</a>
Video & Imaging	<a href="http://www.ti.com/video">www.ti.com/video</a>
Wireless	<a href="http://www.ti.com/wireless">www.ti.com/wireless</a>

Mailing Address: Texas Instruments, Post Office Box 655303, Dallas, Texas 75265  
Copyright © 2009, Texas Instruments Incorporated