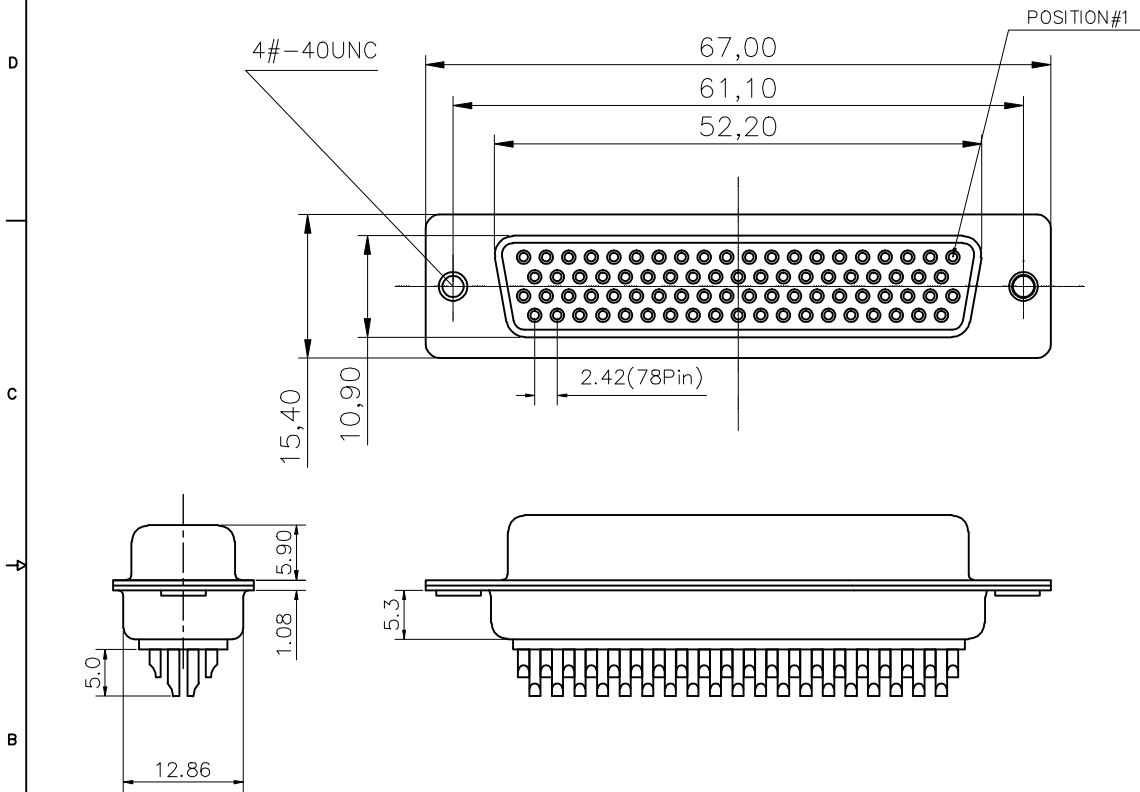


This document is the property of Amphenol Corporation and is delivered on the express condition that it is not to be disclosed, reproduced or used, in whole or in part, for manufacture or sale by anyone other than Amphenol Corporation without its prior consent, & that no right is granted to disclose or to use any information in this document.



Customer drawing

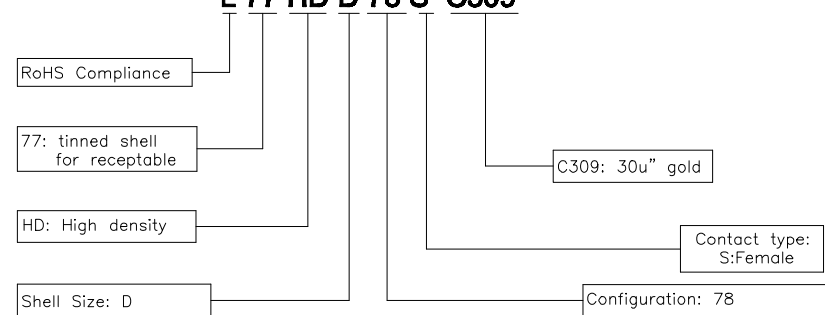
REVISIONS				
SYM	ECN	DESCRIPTION	DATE	APPROVED
1		New release	3/8/12	IP

D-SUB TECHNICAL DATA

SHELL : Steel, 100u" min tin over 50u" min nickel
 BODY : Glass filled thermoplastic.
 Flame retardant to UL94 V-0, Color Black
 CONTACTS : Brass
 30u" min gold over 50u" min nickel on mating area
 100u" min tin over 50u" min nickel on solder area
 ELECTRICAL : Voltage rating 250 V Rms to 50 Hz
 Current rating signal contacts 3A
 Withstanding Voltage : 1000 V Rms to 50 Hz for one minute
 Insulation resistance : 1000 M Ohms at 500V DC
 Contact resistance 20 mOhms max.
 CLIMATIC : Temperature range -55 °C up to 125°C
 MARKING : Amphenol-...(Series No.)
 Manufacturing date

PRODUCT CODE

L 77 HD D 78 S C309



UNLESS OTHERWISE SPECIFIED TOLERANCES U.S. METRIC .X +/- 0.50 .XX +/- 0.30 .XXX +/- 0.20 FRACTIONS +/- ANGLES +/- 2° FOR MATERIALS AND FINISHES SEE NOTES	APPROVAL		DATE
	DRAWN	xs.guo	3/2/12
	CHECKED	Tony	3/1/12
	CHECKED		
REMOVE SHARP EDGES	DRAWING FILE :		
DIMENSIONS	ANGLE OF PROJECTION		
U.S. INCHES			
METRIC MM			

Amphenol Amphenol East Asia Limited		
TITLE		
Stamped and formed connector, HD series		
SIZE	DRAWING NO.	REV.
A4	C L77HDD78SC309	1
SCALE	NONE	SHEET 1 OF 1

Mouser Electronics

Authorized Distributor

Click to View Pricing, Inventory, Delivery & Lifecycle Information:

Amphenol:

[L177HDA26S](#) [L177HDA26SD1CH3F](#) [L177HDA26SD1CH3R](#) [L177HDA26SD1CH4F](#) [L177HDA26SD1CH4R](#)
[L177HDA26SOL2](#) [L177HDA26SVF](#) [L177HDA26SVFM](#) [L177HDAG26S](#) [L177HDAG26SOL2](#) [L177HDAG26SOL2RM5](#)
[L177HDAG26SOL2RM8](#) [L177HDAH26S](#) [L177HDAH26SOL2](#) [L177HDAH26SOL2RM5](#) [L177HDAH26SOL2RM8](#)
[L177HDB44S](#) [L177HDB44SD1CH3F](#) [L177HDB44SD1CH3R](#) [L177HDB44SD1CH4F](#) [L177HDB44SD1CH4R](#)
[L177HDB44SOL2](#) [L177HDB44SVF](#) [L177HDB44SVFM](#) [L177HDBG44S](#) [L177HDBG44SOL2](#) [L177HDBG44SOL2RM5](#)
[L177HDBG44SOL2RM8](#) [L177HDBH44S](#) [L177HDBH44SOL2](#) [L177HDBH44SOL2RM5](#) [L177HDBH44SOL2RM8](#)
[L177HDC62S](#) [L177HDC62SD1CH3F](#) [L177HDC62SD1CH3R](#) [L177HDC62SD1CH4F](#) [L177HDC62SD1CH4R](#)
[L177HDC62SOL2](#) [L177HDC62SVF](#) [L177HDC62SVFM](#) [L177HDCG62S](#) [L177HDCG62SOL2](#) [L177HDCG62SOL2RM5](#)
[L177HDCG62SOL2RM8](#) [L177HDCH62S](#) [L177HDCH62SOL2](#) [L177HDCH62SOL2RM5](#) [L177HDCH62SOL2RM8](#)
[L177HDD78S](#) [L177HDD78SOL2](#) [L177HDD78SVF](#) [L177HDD78SVFM](#) [L177HDDG78S](#) [L177HDDG78SOL2](#)
[L177HDDG78SOL2RM5](#) [L177HDDG78SOL2RM8](#) [L177HDDH78S](#) [L177HDDH78SOL2](#) [L177HDDH78SOL2RM8](#)
[L177HDE15S](#) [L177HDE15SD1CH3F](#) [L177HDE15SD1CH3R](#) [L177HDE15SD1CH4F](#) [L177HDE15SD1CH4R](#)
[L177HDE15SOL2](#) [L177HDE15SVF](#) [L177HDE15SVFM](#) [L177HDEG15S](#) [L177HDEG15SOL2](#) [L177HDEG15SOL2RM5](#)
[L177HDEG15SOL2RM8](#) [L177HDEH15S](#) [L177HDEH15SOL2](#) [L177HDEH15SOL2RM5](#) [L177HDEH15SOL2RM8](#)
[L177HDA26P](#) [L177HDA26PC309](#) [L177HDA26PD1CH3F](#) [L177HDA26PD1CH3FC309](#) [L177HDA26PD1CH3R](#)
[L177HDA26PD1CH3RC309](#) [L177HDA26PD1CH4F](#) [L177HDA26PD1CH4FC309](#) [L177HDA26PD1CH4R](#)
[L177HDA26PD1CH4RC309](#) [L177HDA26POL2](#) [L177HDA26POL2C309](#) [L177HDA26PVFC309](#) [L177HDA26PVFM](#)
[L177HDA26PVFMC309](#) [L177HDAG26P](#) [L177HDAG26PC309](#) [L177HDAG26POL2](#) [L177HDAG26POL2C309](#)
[L177HDAG26POL2RM5](#) [L177HDAG26POL2RM5C309](#) [L177HDAG26POL2RM8](#) [L177HDAG26POL2RM8C309](#)
[L177HDAH26P](#) [L177HDAH26PC309](#)