

SAFETY ORGANIZATIONS

THIS MODULE HAS BEEN FORMALLY RECOGNIZED, CERTIFIED OR APPROVED BY THE LISTED AGENCY. THEREFORE, ALL TEST/REQUIREMENTS SPECIFIED IN THE LATEST REVISION OF THE FOLLOWING AGENCY STANDARDS HAVE BEEN MET:

- UL RECOGNIZED: UL 498
- CSA CERTIFIED: CSA C22.2 No. 42
- VDE APPROVED: EN 60320-1

OPERATING SPECIFICATIONS

LINE CURRENT/VOLTAGE: 15 AMP, 250 VAC, UL, CSA
10 AMP, 250 VAC, VDE

LINE FREQUENCY: 50-60Hz

OPERATING TEMPERATURE:
-40°C - +70°C

PIN TEMPERATURE: 70°C MAX.

RELIABILITY SPECIFICATIONS:

STORAGE TEMPERATURE: -40°C TO +85°C
HUMIDITY: 21 DAYS @ 40°C 95% RH.
CURRENT OVERLOAD TEST: 6 TIMES I_r FOR 8 SECONDS

TEST SPECIFICATIONS:

L/G AND L/L I.R. @ 6000M (MIN.) 100VDC,
20°C AND 50% RH

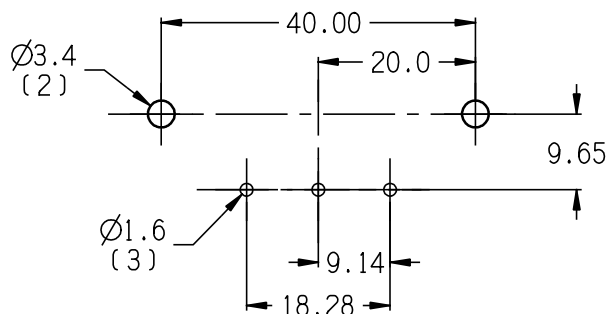
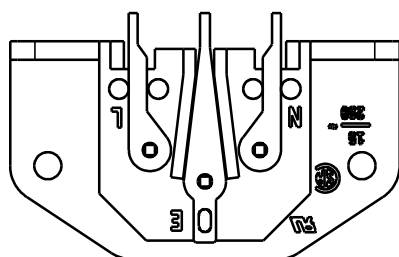
CUSTOMER DRAWING

CATALOG # 6ESRM-P

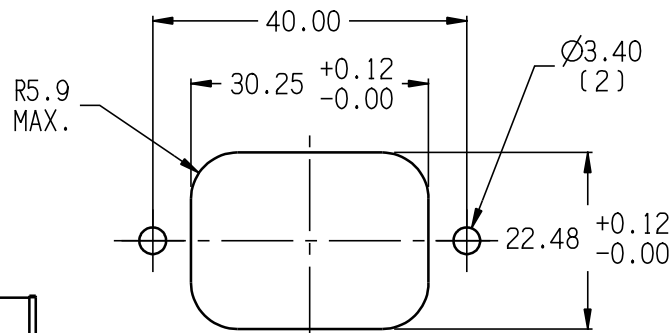
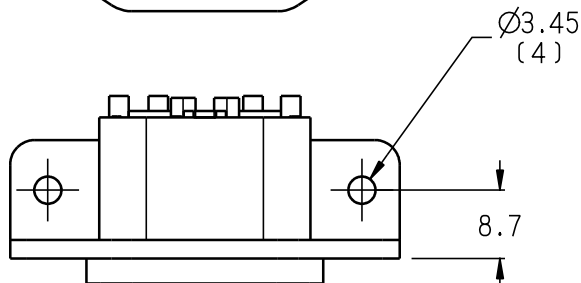
ECN#	APPRVD	DATE
12-006862	TAM	05SEP12
14-004512	TAM	25MAR14

RECOMMENDED RECEIVING INSPECTION HIPOT:

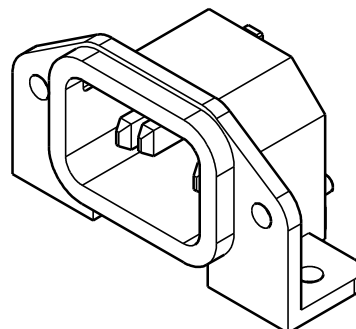
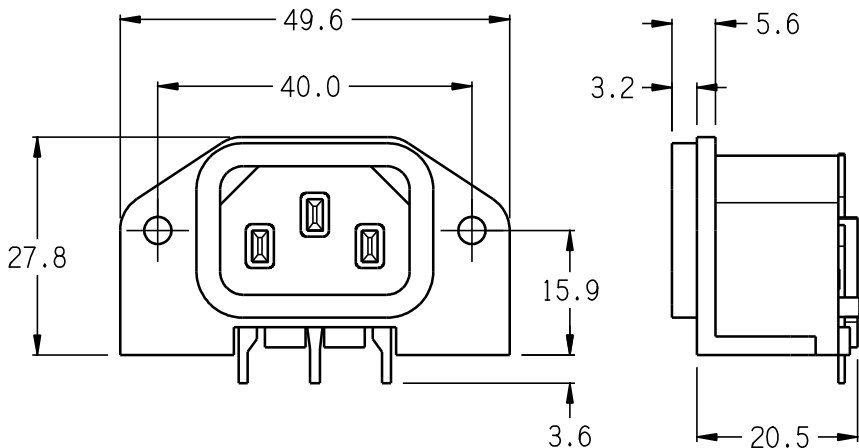
LINE TO GROUND: 1500 VAC FOR 1 MINUTE
LINE TO LINE: 1450 VDC FOR 1 MINUTE



PCB MOUNTING DETAIL



PANEL MOUNTING DETAIL



50 Ω - 50 Ω (MINIMUM) INSERTION LOSS

FREQUENCY MHz	1	2	3	4	5	6	7	8	9	10	11	12
COMMON dB	/	/	/	/	/	/	/	/	/	/	/	/
DIFF. dB	/	/	/	/	/	/	/	/	/	/	/	/

PARTS SHALL COMPLY WITH TYCO ELECTRONICS 138-702 SPECIFICATION FOR HAZARDOUS SUBSTANCES

UNLESS OTHERWISE SPECIFIED TOLERANCE TO BE ±0.64 MATERIAL & FINISH: AS SUPPLIED DIMENSIONS IN MILLIMETERS



NOTES:

CUSTOMER DRAWING

TE PART NO.: 1609078-1			
SCALE: 1:1	DATE: 17FEB10	DRAWING NUMBER: 6ESRM-P	REV. D
DRW. BY: LJD	DRTG: FCW		

THIS INFORMATION IS CONFIDENTIAL AND PROPRIETARY TO TYCO ELECTRONICS CORPORATION AND ITS WORLDWIDE SUBSIDIARIES AND AFFILIATES. IT MAY NOT BE DISCLOSED TO ANYONE OTHER THAN TYCO ELECTRONICS PERSONNEL, WITHOUT WRITTEN AUTHORIZATION FROM TYCO ELECTRONICS CORPORATION. (www.TE.com)



SHEET SIZE A

Mouser Electronics

Authorized Distributor

Click to View Pricing, Inventory, Delivery & Lifecycle Information:

[TE Connectivity:](#)

[6ESRM-P](#) [15ESRM-2](#) [15HSRM-2](#)