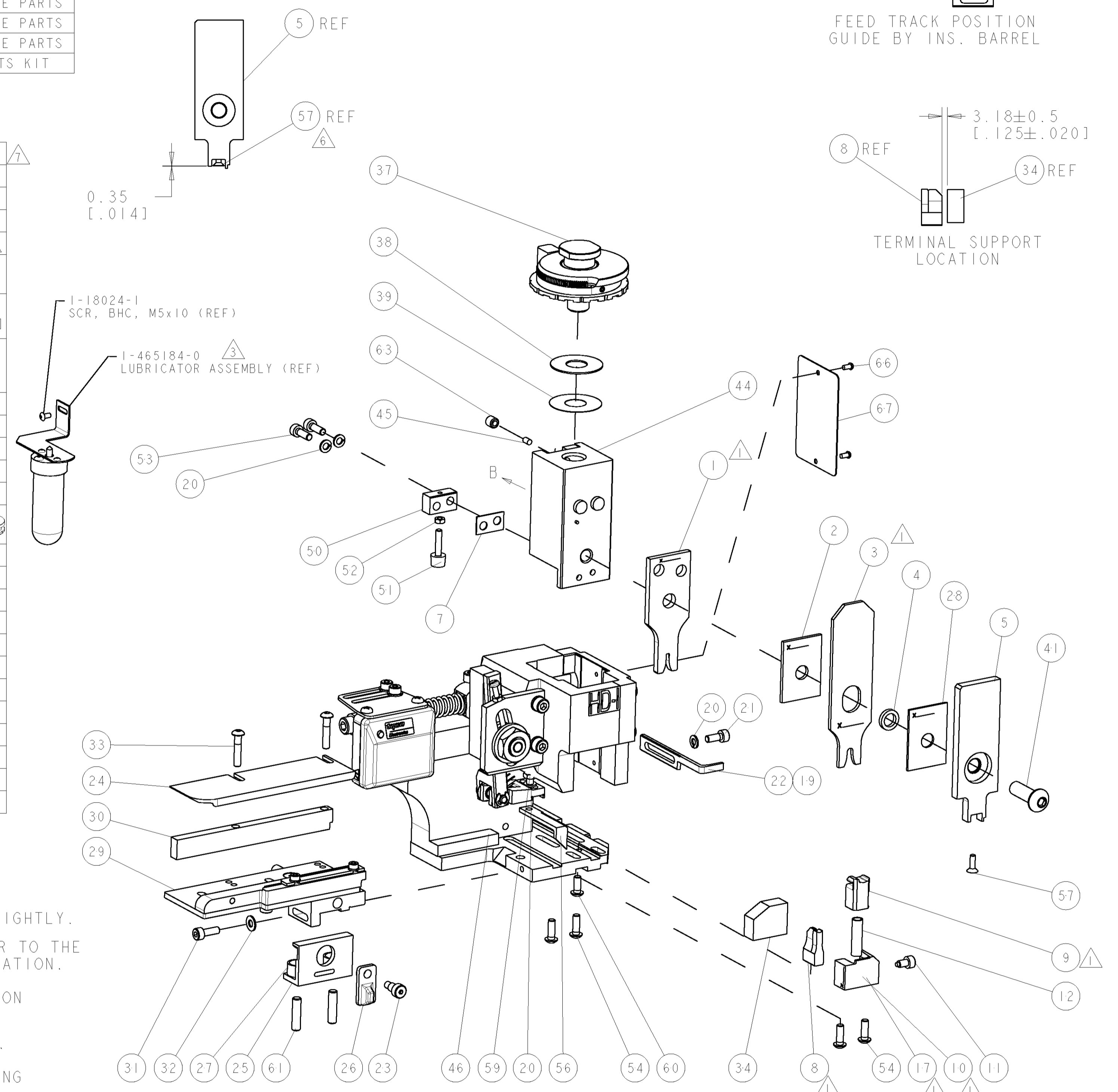
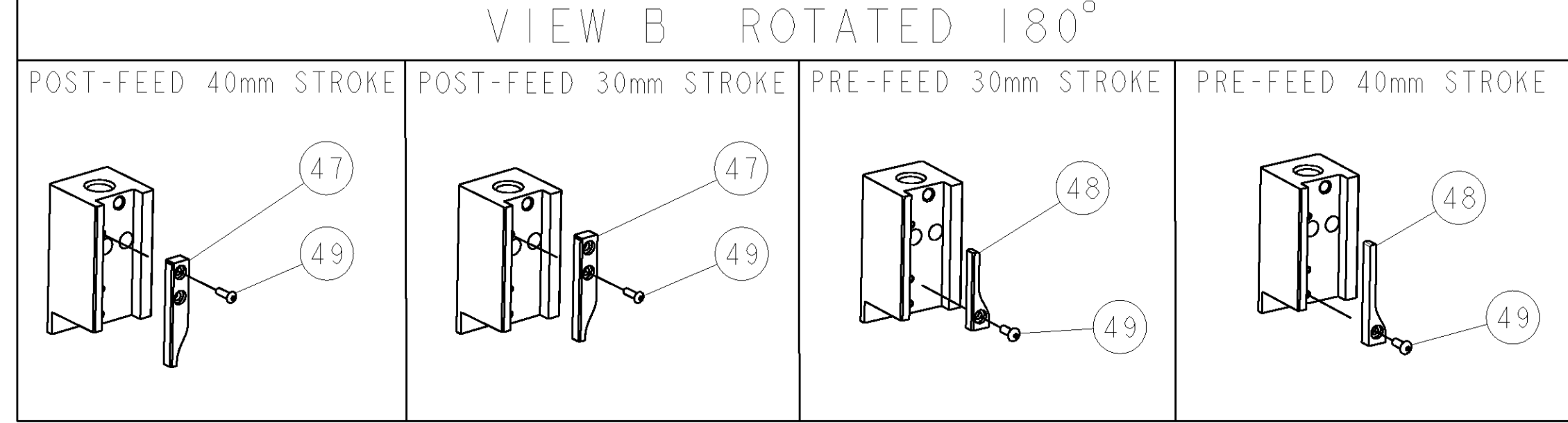


PART NUMBER	REV	TERMINATOR	FEED TYPE	DESCRIPTION
1528923-1	A	LEADMAKER	MECH POST FEED	CUTS CARRIER
1528923-2	A	BENCH	MECH PRE FEED	CUTS CARRIER
1528923-6	A	LEADMAKER	MECH POST FEED	CONTINUOUS CARRIER
7-1528923-1	A	LEADMAKER	MECH POST FEED	-1 AND SPARE PARTS
7-1528923-2	A	BENCH	MECH PRE FEED	-2 AND SPARE PARTS
7-1528923-6	A	LEADMAKER	MECH POST FEED	-6 AND SPARE PARTS
7-1528923-7	A	-	-	SPARE PARTS KIT

CRIMP DATA		DELPHI TERMINAL		DELPHI CRIMP SPECS	
WIRE	SIZE	TYPE	RANGE		
1.78	[.070 IN]	F	0.35-0.50mm ²		
4.06	[.160 IN]	O	1.30-2.20 [.051 - .087 IN]		
WIRE STRIP LENGTH		APPL INSTRUCTIONS			
5.60 [.220 IN]		408-8322 & 408-8490			
TERMINAL		DELPHI CRIMP DATA SHTS.		FEED	
APPL SPEC 12084200, 12160222 & 15326396				12.27 [.483 IN]	
TERMINALS APPLIED					
TE TERM PN	MANUF TERM PN	TE SEAL PN	MANUF SEAL PN		
286933-1	12084200	286934-1	12052925		
286933-2	12160222	286934-2	15324974		
286933-3	15326396	1572277-1	12048087		
WIRE SIZE	CRIMP HEIGHT	REF SETTING			
0.50mm ²	0.95 ± 0.05 [.037 ± .002 IN]	C 8			
0.35mm ²	0.85 ± 0.05 [.033 ± .002 IN]	D 5			

- △ RECOMMENDED SPARE PARTS.
- 2. GREASE RAM, CAM, CAM FOLLOWER AND FEED ROD LIGHTLY.
- △ CERTAIN TERMINALS REQUIRE LUBRICATION. REFER TO THE APPLICATOR INSTRUCTION SHEET FOR MORE INFORMATION.
- 4. LUBRICATE DAILY PER THE APPLICATOR INSTRUCTION SHEET SUPPLIED WITH THE APPLICATOR.
- △ THIS APPLICATOR APPLIES TERMINAL WITH A SEAL. INSULATION DIA QUOTED IS RANGE OF TERMINAL. WIRE INSULATION DIA IS DEPENDENT ON SEAL BEING APPLIED. SEAL PMS AS SHOWN ABOVE, INS. DIA RANGE IS 1.29-1.70.
- △ APPLY TORQ-SEAL IN ALLEN SOCKET TO FILL HOLE AFTER FLAT HD HAS BEEN ADJUSTED TO CORRECT HEIGHT AT QUALIFICATION. APPLY #1-23419-5 LOC-TITE TO THREADS.
- △ CRIMP DATA SUPPLIED BY THE TERMINAL MANUFACTURER.
- △ SEE DELPHI DATA SHEET FOR SPECIFIC WIRE DETAILS.



* WARNING
ON INSTALLATION, SET WIRE DISC TO LARGEST WIRE SIZE SETTING. USE OF SETTINGS BELOW MIN. REQUIRED CRIMP HEIGHT SETTING WILL CAUSE DAMAGE TO CRIMP TOOLING.

PART NO	DESCRIPTION	ITEM NO
-77	-	84
-76	-	83
-72	-	82
-71	-	81
-6	-	80
-2	-	79
-1	-	78
-	-	77
-	-	76
-	-	75
-	-	74
-77	-76	-72
-71	-6	-2
-1	PART NO	DESCRIPTION
-	-	ITEM NO

SET UP GAGE
458637-3

REVISONS		DATE	DWN	APVD	
LOC	BY	DESCRIPTION	DATE	DWN	APVD
A	66	SEE ECO-08-023914	25SEP2008	LJL	MC

QTY	UNIT	PART NO	DESCRIPTION	ITEM NO					
-	-	-	-	73					
-	-	-	-	72					
-	-	-	-	71					
-	-	-	-	70					
-	-	-	-	69					
-	-	-	-	68					
-	-	-	-	67					
-	-	-	-	66					
-	-	-	-	65					
-	-	-	-	64					
-	-	-	-	63					
-	-	-	-	62					
-	-	-	-	61					
-	-	-	-	60					
-	-	-	-	59					
-	-	-	-	58					
-	-	-	-	57					
-	-	-	-	56					
-	-	-	-	55					
-	-	-	-	54					
-	-	-	-	53					
-	-	-	-	52					
-	-	-	-	51					
-	-	-	-	50					
-	-	-	-	49					
-	-	-	-	48					
-	-	-	-	47					
-	-	-	-	46					
-	-	-	-	45					
-	-	-	-	44					
-	-	-	-	43					
-	-	-	-	42					
-	-	-	-	41					
-	-	-	-	40					
-	-	-	-	39					
-	-	-	-	38					
-	-	-	-	37					
-	-	-	-	36					
-	-	-	-	35					
-	-	-	-	34					
-	-	-	-	33					
-	-	-	-	32					
-	-	-	-	31					
-	-	-	-	30					
-	-	-	-	29					
-	-	-	-	28					
-	-	-	-	27					
-	-	-	-	26					
-	-	-	-	25					
-	-	-	-	24					
-	-	-	-	23					
-	-	-	-	22					
-	-	-	-	21					
-	-	-	-	20					
-	-	-	-	19					
-	-	-	-	18					
-	-	-	-	17					
-	-	-	-	16					
-	-	-	-	15					
-	-	-	-	14					
-	-	-	-	13					
-	-	-	-	12					
-	-	-	-	11					
-	-	-	-	10					
-	-	-	-	9					
-	-	-	-	8					
-	-	-	-	7					
-	-	-	-	6					
-	-	-	-	5					
-	-	-	-	4					
-	-	-	-	3					
-	-	-	-	2					
-	-	-	-	1					
-77	-76	-72	-71	-6	-2	-1	PART NO	DESCRIPTION	ITEM NO
THIS DRAWING IS UNPUBLISHED. RELEASED FOR PUBLICATION.									
COPYRIGHT 2008 BY TYCO ELECTRONICS CORPORATION. ALL RIGHTS RESERVED.									
DIMENSIONS: mm [IN] TOLERANCES UNLESS OTHERWISE SPECIFIED:									
9 PLC ±.005									
1 PLC ±.002									
5 PLC ±.001									
4 PLC ±.001									
ANGLES ±.001									
MATERIAL FINISH									
DWN: M. LOFTHOUSE 28JUL2008									
CHK: M. CLIFFORD 28JUL2008									
NAME: FINE ADJUST SIDE FEED HDI APPLICATOR									
APVD: M. CLIFFORD 28JUL2008									
PRODUCT SPEC: See Table									
APPLICATION SPEC: See Table									
WEIGHT: A1 00779									
CUSTOMER DRAWING: SCALE 3:5 SHEET 1 OF 1 REV A									

Mouser Electronics

Authorized Distributor

Click to View Pricing, Inventory, Delivery & Lifecycle Information:

[TE Connectivity:](#)

[1528923-1](#)