

LOC
E

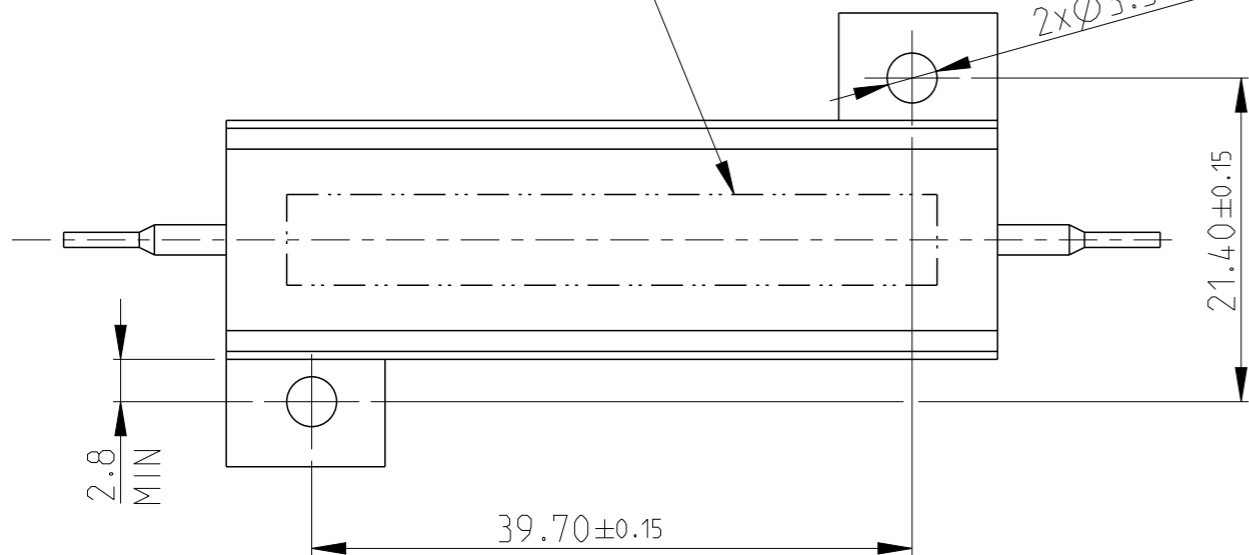
DIST
B

REVISIONS

P	LTR	DESCRIPTION	DATE	DWN	APVD
B2		REVISED PER ECO-11-005150	29MAR2011	RK	HMR
L		ECR-16-003725	12MAR2016	KR	TN

LASER MARKING: TE LOGO PN VALUE
TOLERANCE & DATE CODE

2x $\varnothing 3.3 \pm 0.2$ HOLES



- 1 FOR FURTHER INFORMATION SEE DATA SHEET FOR HS SERIES-ALUMINIUM HOUSED RESISTORS
- 2 FOR A SPECIFIC PN FOR A RESISTANCE VALUE AND TOLERANCE, PLEASE REFER TO DMF
- 3 TECHNICAL SPECIFICATION

DISSIPATION AT 25°C : 50 WATTS MOUNTED ON STANDARD HEATSINK

BS OHMIC RANGE : R051 TO 72K

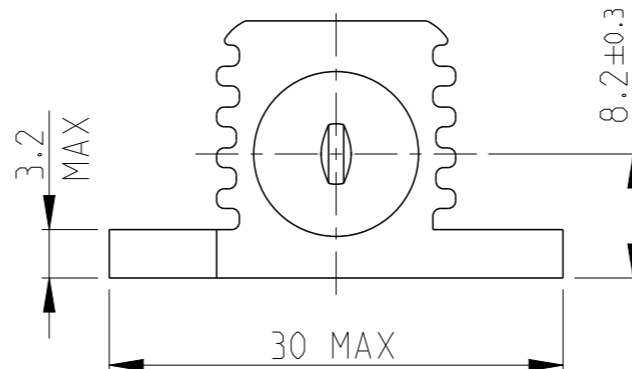
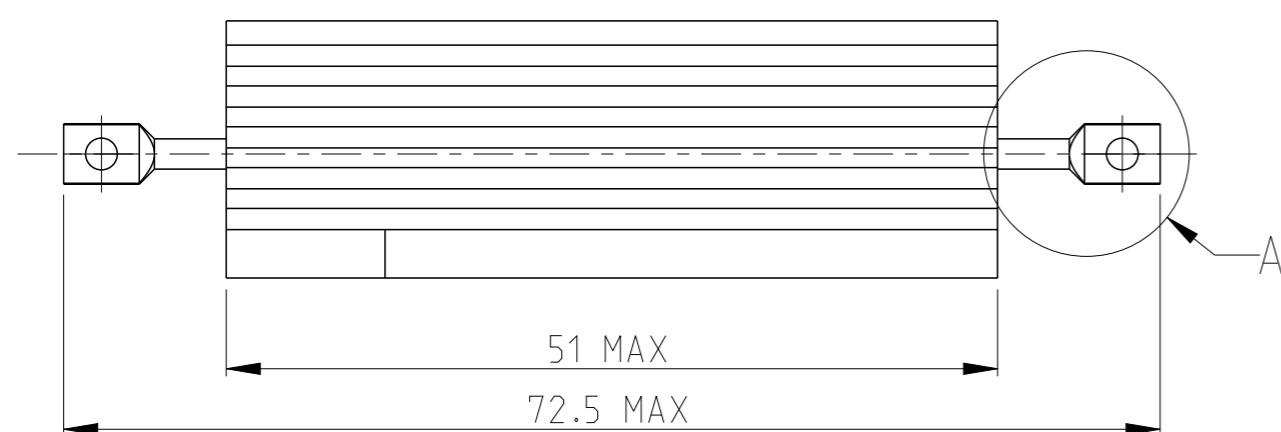
STABILITY : $\Delta R < = 1\%$ PER 1000Hrs

ISOLATION VOLTAGE : 2500V DC/AC pk

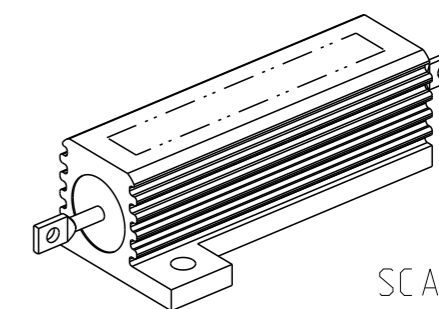
MAX WORKING VOLTAGE : 1250V DC/AC rms

TEMP COEFFICIENT : > 1R0 50ppm
> 100R 25ppm

CLIMATIC CATEGORY : 55/200/56

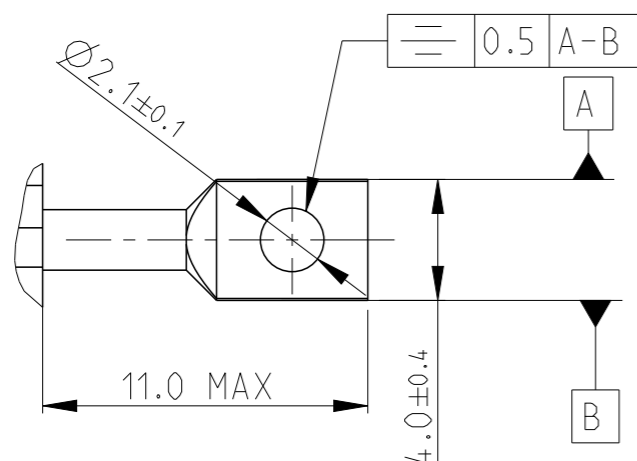


RoHS Compliant



SCALE 1:1

DETAIL A
SCALE 4:1



THIS DRAWING IS A CONTROLLED DOCUMENT.

DIMENSIONS:		TOLERANCES UNLESS OTHERWISE SPECIFIED:	
mm			
	0 PLC	± 0.5	
	1 PLC	± 0.2	
	2 PLC	± 0.1	
	3 PLC	\pm	
	4 PLC	\pm	
	ANGLES	$\pm 5^\circ$	
	FINISH	-	

MATERIAL -

DWN 22.SEP.05
DAVE KENNEDY

CHK 23.SEP.05
J CATCHPOLE

APVD 23.SEP.05
J CATCHPOLE

PRODUCT SPEC -

APPLICATION SPEC -

WEIGHT -

NAME

STE TE Connectivity

HSA50 WIDE BORE

SIZE	CAGE CODE	DRAWING NO	RESTRICTED TO
------	-----------	------------	---------------

A3	00779	C=1625984	-
----	-------	-----------	---

CUSTOMER DRAWING

SCALE 3:1	SHEET 1 OF 1	REV L
-----------	--------------	-------

Mouser Electronics

Authorized Distributor

Click to View Pricing, Inventory, Delivery & Lifecycle Information:

[TE Connectivity:](#)

[HSA5012RJ](#)