

| | | | | | | | |
|-----|------|-----------|-----|---------------------|------|-----|------|
| LOC | DIST | REVISIONS | | | | | |
| A | 66 | P | LTR | DESCRIPTION | DATE | DWN | APVD |
| | | | A2 | SEE PRODUCT DRAWING | - | - | - |


SEE PRODUCTION DRAWING
1855297

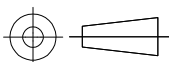
THIS DRAWING IS UNPUBLISHED.

ALL INTERNATIONAL RIGHTS RESERVED.

BY TYCO ELECTRONICS CORPORATION.

© COPYRIGHT

| | | | | | | |
|--|------------------|-----------|---|-----------|------------|---------------|
| DIMENSIONS: INCHES | DWN | 13AUG2010 | MATERIAL | - | FINISH | - |
| | CHK | M.YOUNGER |  Tyco Electronics Corporation Harrisburg, PA 17105-3608 | | | |
| TOLERANCES UNLESS OTHERWISE SPECIFIED: | APVD | - | NAME | | | |
| | PRODUCT SPEC | - | FINE ADJUST SIDE FEED HDM APPLICATOR | | | |
| 0 PLC ± - | APPLICATION SPEC | - | SIZE | CAGE CODE | DRAWING NO | RESTRICTED TO |
| 1 PLC ± - | WEIGHT | - | A4 | 00779 | C-1855297 | - |
| 2 PLC ± - | CUSTOMER DRAWING | | SCALE | 1:1 | SHEET | 1 OF 1 |
| 3 PLC ± - | | | | | REV | A2 |
| 4 PLC ± - | | | | | | |
| ANGLES ± - | | | | | | |



Mouser Electronics

Authorized Distributor

Click to View Pricing, Inventory, Delivery & Lifecycle Information:

[TE Connectivity:](#)

[1855297-6](#)