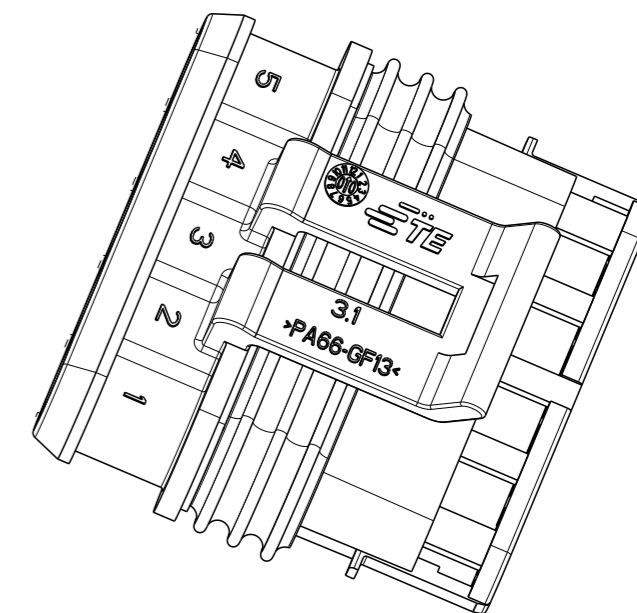
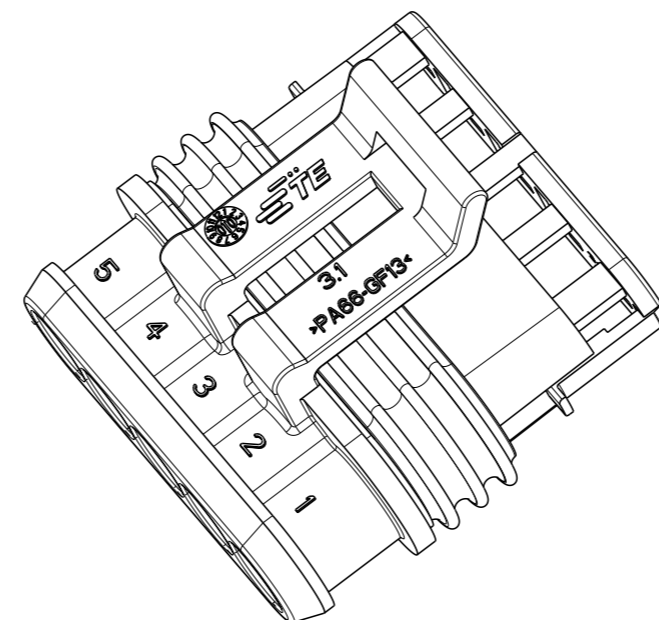
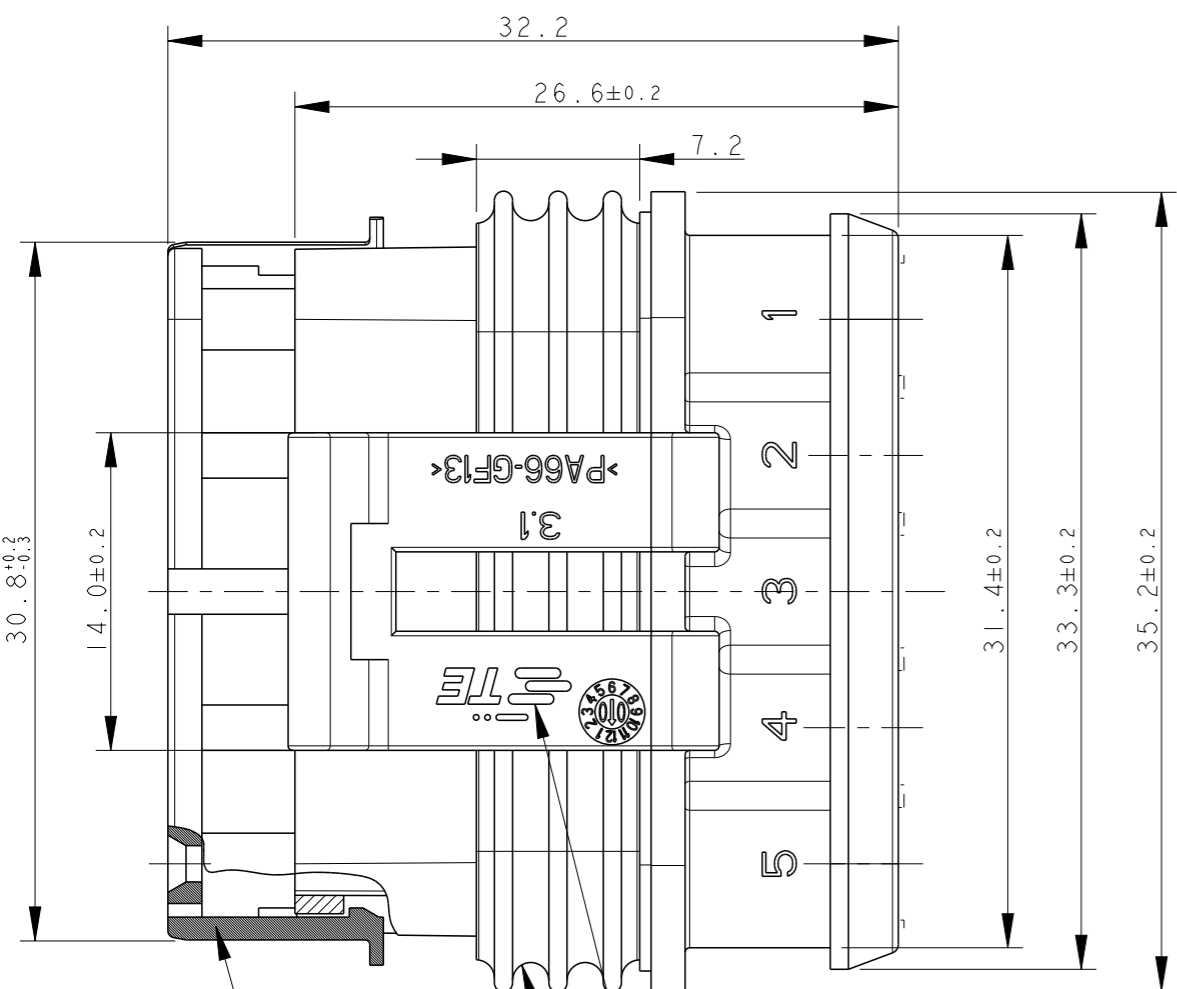
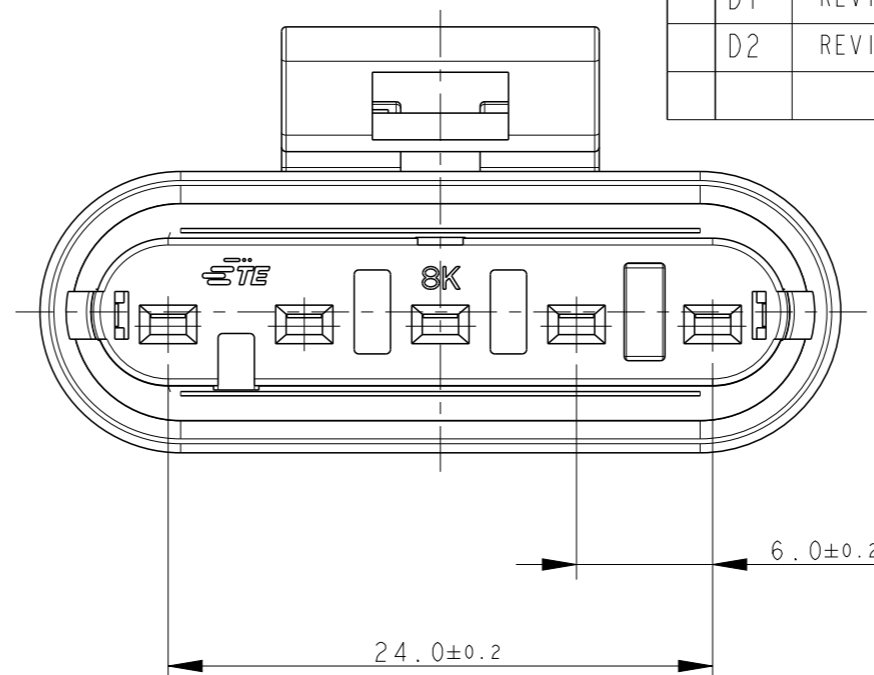
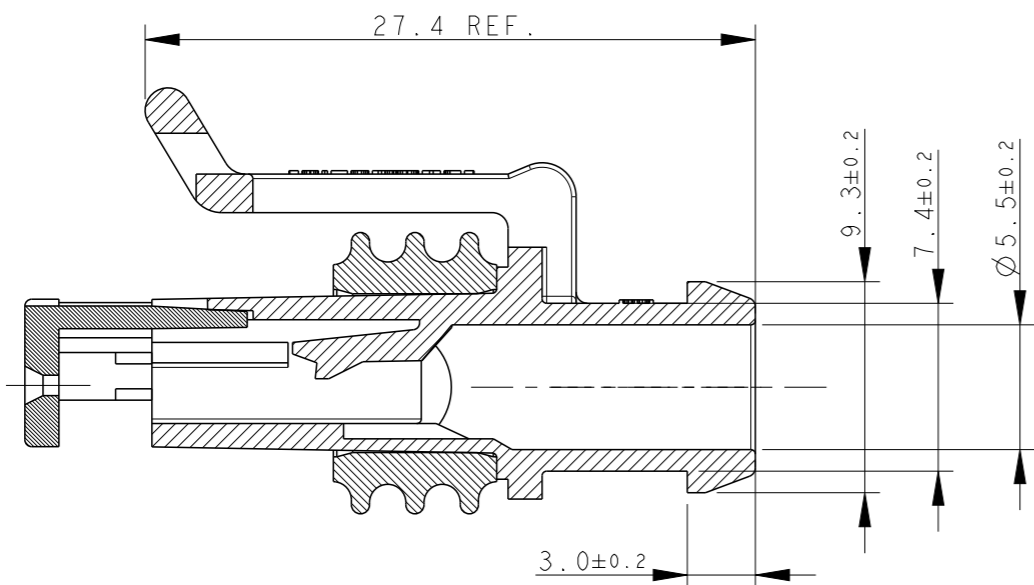


REVISIONS

P	LTR	DESCRIPTION	DATE	DWN	APVD
	D	ECR-14-009314	24MAR2015	M.P.	M.G.
	D1	REVISED (ECR-15-014031)	25SEP2015	M.G.	M.G.
	D2	REVISED PER ECO-17-001706	10FEB2017	C.A.	M.G.



1) FOR COUNTERPART DETAILS, SEE SHEET 2 OF 2

FINISH/COLOR	MATERIAL	PART NUMBER
GRAY	HOUSING+SEC.LOCK: PA66-GF SEALING: LSR	282089-2
BLACK	HOUSING+SEC.LOCK: PA66-GF SEALING: LSR	282089-1

TE CONNECTIVITY TRADE MARK,
 (IN ALTERNATIVE: "AMP" LOGO,
 OR "Tyco Electronics" LOGO)

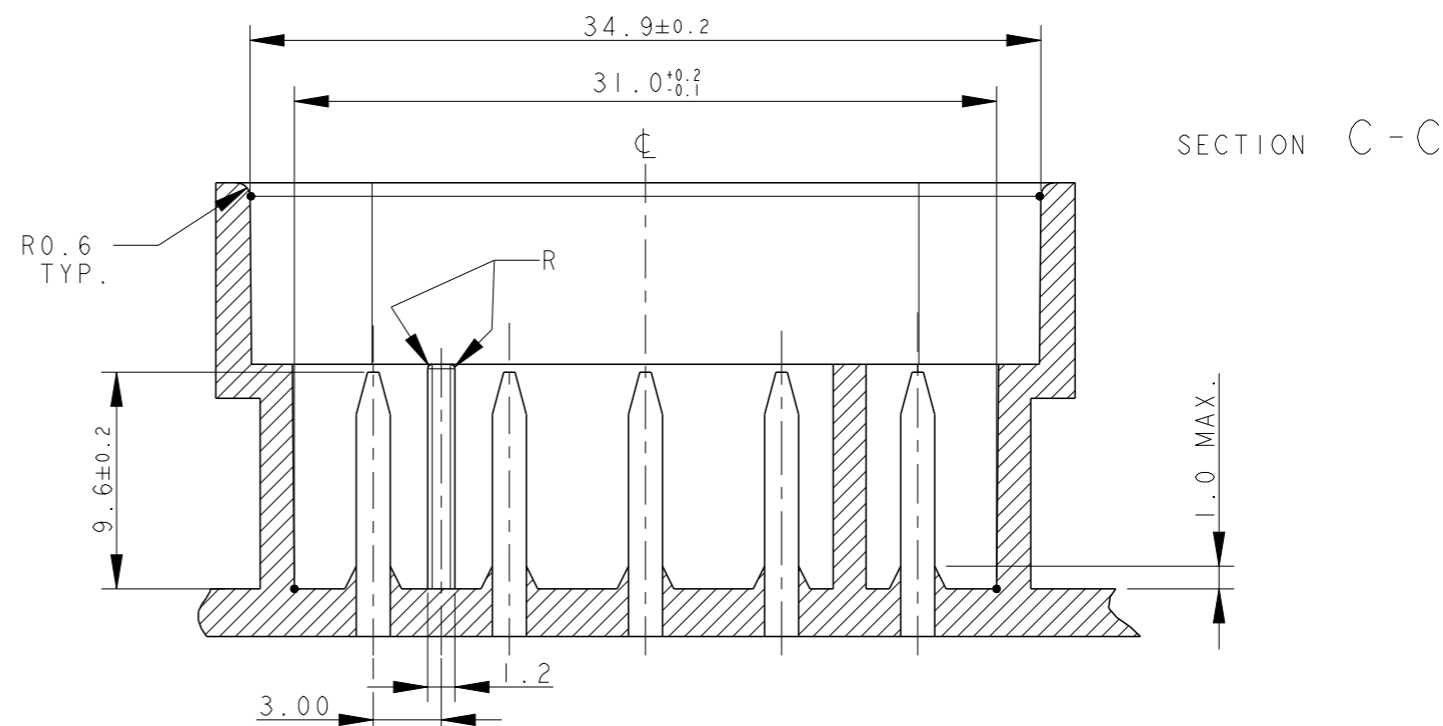
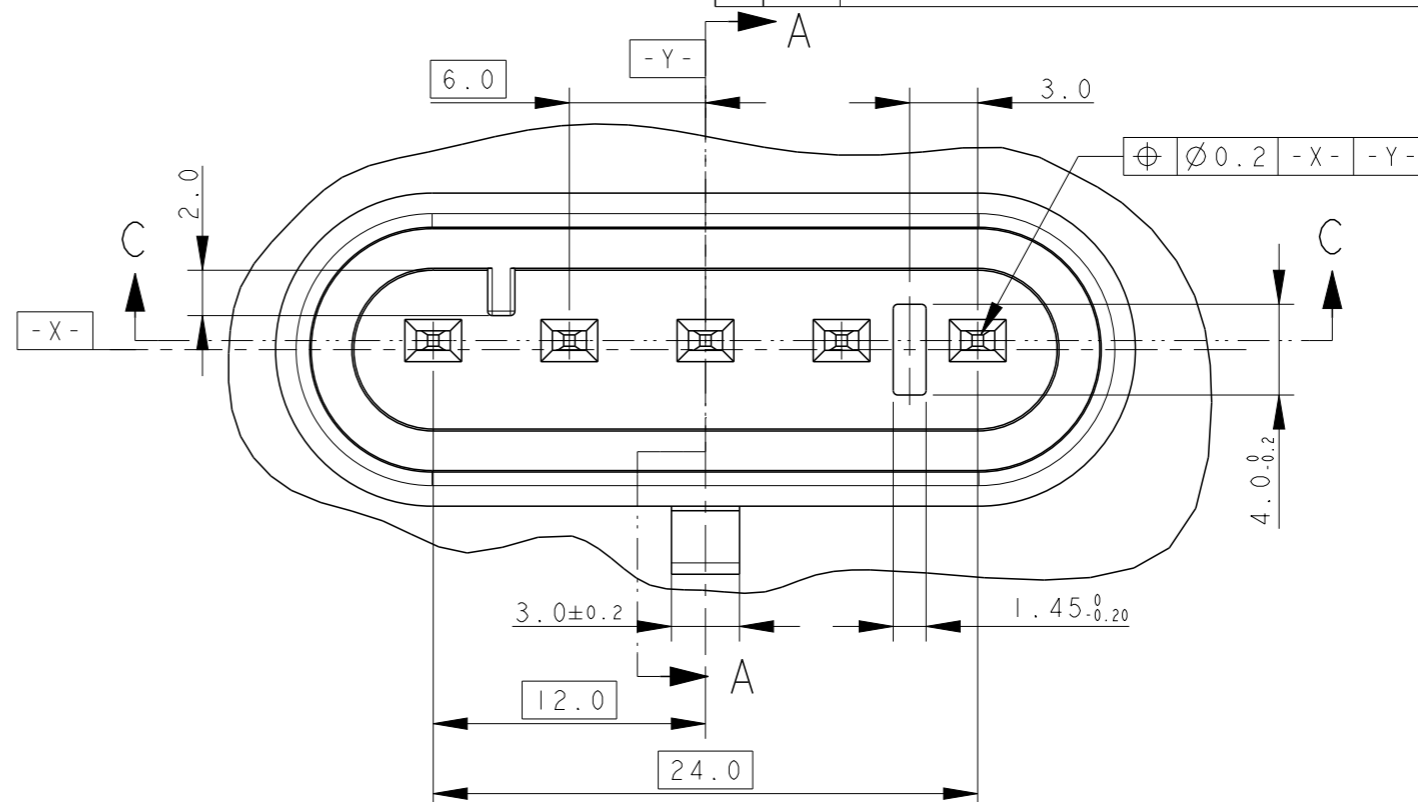
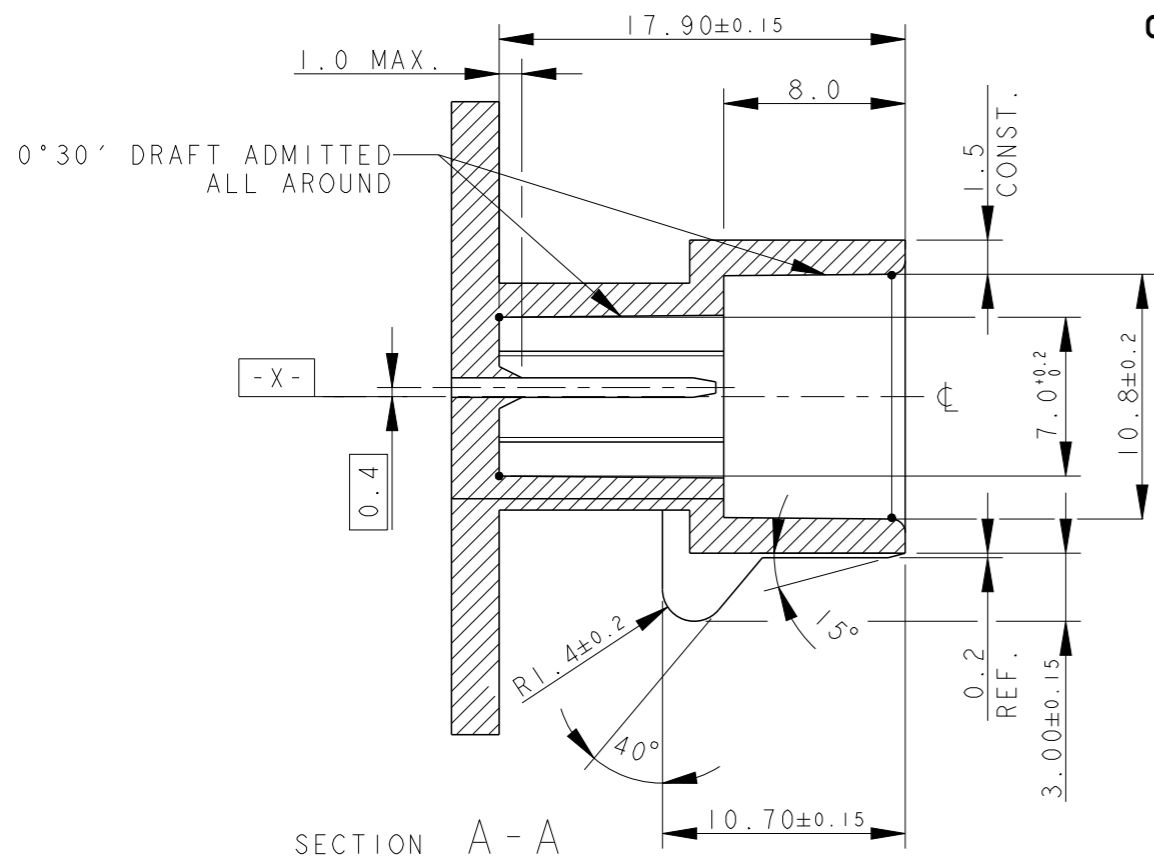
SEALING
 (COLOUR YELLOW)

PRE-ASSEMBLED SECONDARY LOCK
 (COLOUR RED)

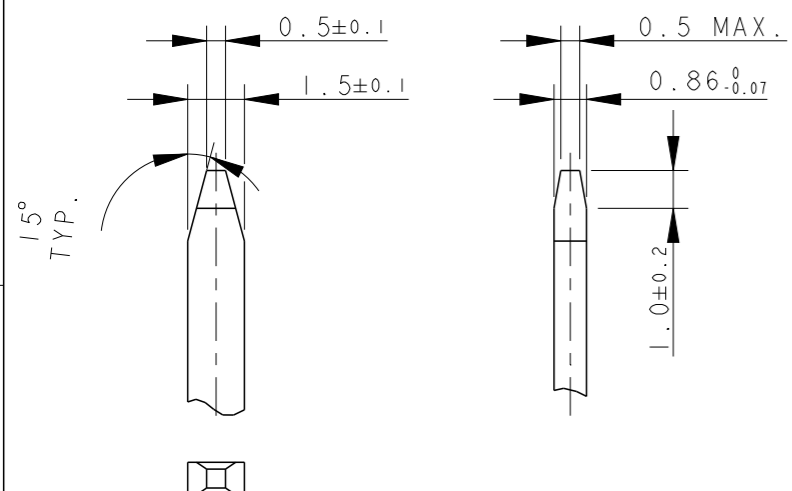
THIS DRAWING IS A CONTROLLED DOCUMENT.		DWN C. BERTINI 05-1992	TE Connectivity	
DIMENSIONS: mm		CHK A. BRUNI 05-1992		
TOLERANCES UNLESS OTHERWISE SPECIFIED:		APVD -	NAME -	
0 PLC ± 1 PLC ±0.3 2 PLC ± 3 PLC ± 4 PLC ± ANGLES ±2°		PRODUCT SPEC 108-20090	AMP SUPERSEAL 1.5 SRS. 5 POSITIONS PLUG ASS'Y	
MATERIAL -		APPLICATION SPEC 412-20000	SIZE A300779	CAGE CODE C-282089
SEE TABLE		WEIGHT 5.45gr	RESTRICTED TO -	
		Customer Drawing	SCALE 3:1	SHEET 1 OF 2
			REV D2	

P	LTR	DESCRIPTION	DATE	DWN	APVD
		SEE SHEET 1			

COUNTERPART DETAILS



TAB DETAILS



MATERIALS: PA66-GF FOR HOUSING
TIN PLATED BRASS FOR TABS

THIS DRAWING IS A CONTROLLED DOCUMENT.

DWN C. BERTINI 05-1992

CHK A. BRUNI 05-1992

APVD -

NAME



DIMENSIONS:

mm

TOLERANCES UNLESS OTHERWISE SPECIFIED:

- 0 PLC ±0.3
- 1 PLC ±0.1
- 2 PLC ±0.05
- 3 PLC ±
- 4 PLC ±
- ANGLES ±2°
- FINISH

MATERIAL



PRODUCT SPEC 108-20090

APPLICATION SPEC 412-20000

WEIGHT 5.45gr

AMP SUPERSEAL 1.5 SRS.
5 POSITIONS PLUG ASS'Y

SIZE	CAGE CODE	DRAWING NO	RESTRICTED TO
------	-----------	------------	---------------

A300779	C=282089		
---------	----------	--	--

Customer Drawing	SCALE 1:1	SHEET 2 OF 2	REV D2
------------------	-----------	--------------	--------

Mouser Electronics

Authorized Distributor

Click to View Pricing, Inventory, Delivery & Lifecycle Information:

[TE Connectivity:](#)

[282089-1](#)