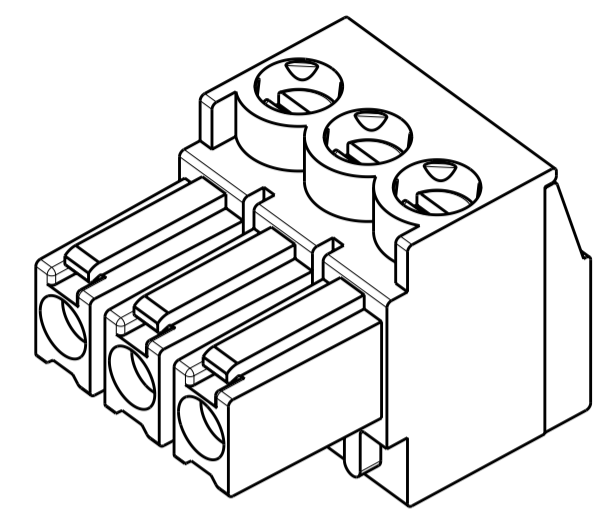
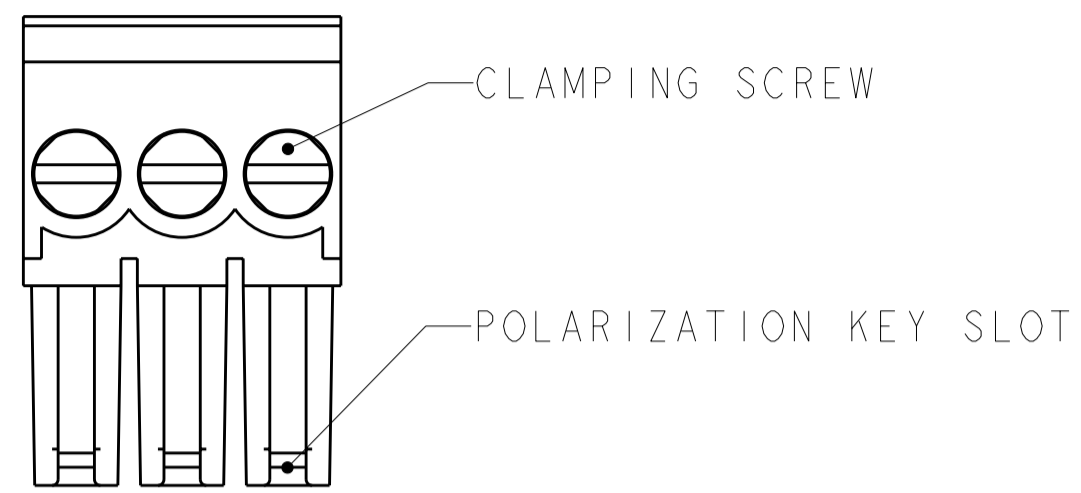
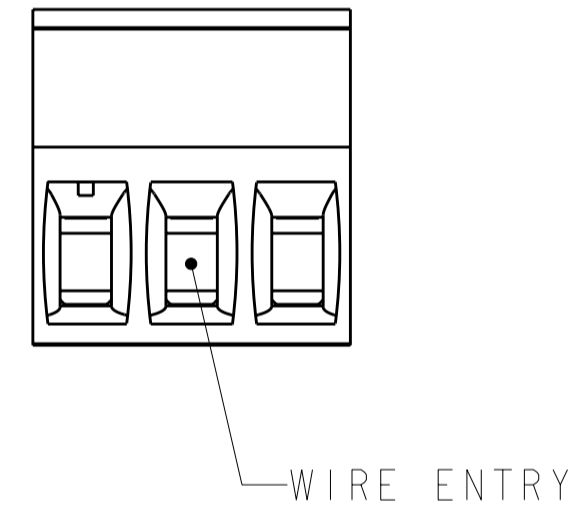
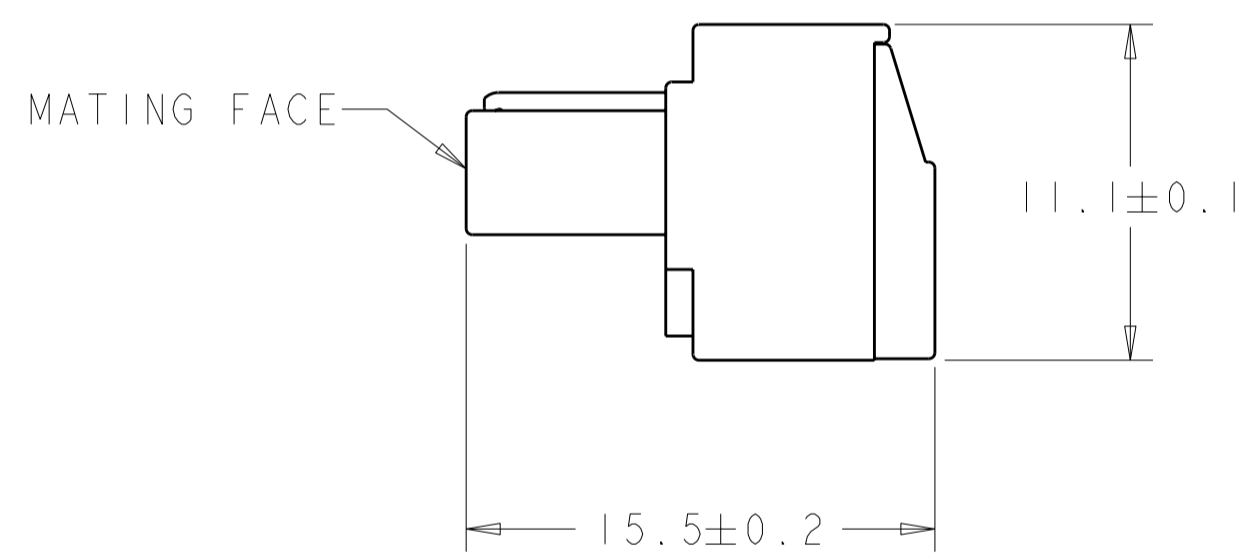
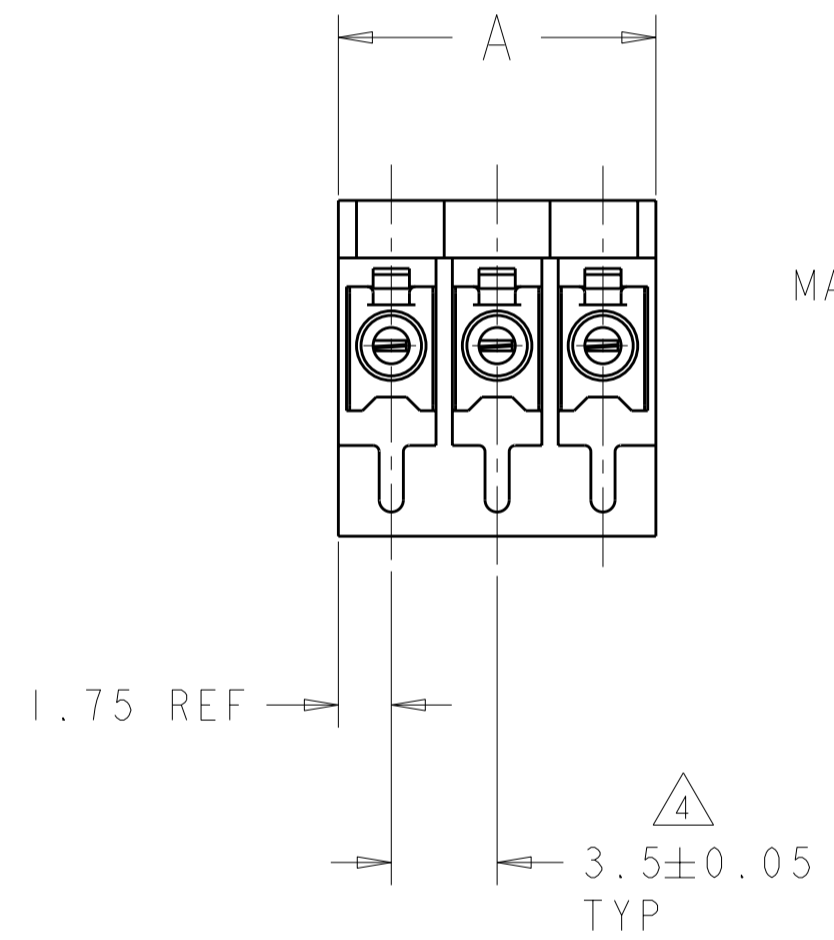


THIS DRAWING IS UNPUBLISHED. RELEASED FOR PUBLICATION 20
 © COPYRIGHT 20 ALL RIGHTS RESERVED.

LOC	DIST	REVISIONS			
P	LTR	DESCRIPTION	DATE	DWN	APVD
FT	0	B2	REVISED PER ECO-11-012727	21JUN2011	HMR CR



796693-3 AS SHOWN



6	SEE SHEET 2	28.0	8	4-796693-1
6	SEE SHEET 2	21.0	6	4-796693-0
	SEE SHEET 2	31.5	9	3-796693-9
	SEE SHEET 2	14.0	4	3-796693-4
	SEE SHEET 2	35.0	10	3-796693-0
	-	87.5	25	2-796693-5
	-	84.0	24	2-796693-4
	-	80.5	23	2-796693-3
	-	77.0	22	2-796693-2
	-	73.5	21	2-796693-1
	-	70.0	20	2-796693-0
	-	66.5	19	1-796693-9
	-	63.0	18	1-796693-8
	-	59.5	17	1-796693-7
	-	56.0	16	1-796693-6
	-	52.5	15	1-796693-5
	-	49.0	14	1-796693-4
	-	45.5	13	1-796693-3
	-	42.0	12	1-796693-2
	-	38.5	11	1-796693-1
	-	35.0	10	1-796693-0
	-	31.5	9	796693-9
	-	28.0	8	796693-8
	-	24.5	7	796693-7
	-	21.0	6	796693-6
	-	17.5	5	796693-5
	-	14.0	4	796693-4
	-	10.5	3	796693-3
	-	7.0	2	796693-2

1 MATERIALS AND FINISH:
 HOUSING : PA 6.6, UL 94-V0, COLOR: BLUE.
 CLAMP : BRASS, NICKEL PLATED
 TERMINAL : BRASS, TIN PLATED
 CONTACT SPRING : PHOSPHOR BRONZE, TIN PLATED
 CLAMPING SCREW : M2, BRASS, NICKEL PLATED

- 2. END-TO-END STACKABLE WITHOUT LOSS OF CENTERLINE SPACING
- 3. WIRE SIZE RANGE: 14-30 AWG (UL APPROVAL)
- 4 NOT CUMULATIVE TOLERANCE.
- 5 CHARACTERS INK STAMPED AS SHOWN, COLOR: WHITE.
- 6 PRELIMINARY PART

THIS DRAWING IS A CONTROLLED DOCUMENT.		DWN S.WELDON 27NOV2000	TE Connectivity	
DIMENSIONS: mm		CHK D.BIEVENOUR 27NOV2000		
TOLERANCES UNLESS OTHERWISE SPECIFIED:		APVD D.BIEVENOUR 27NOV2000	NAME	
0 PLC ±		PRODUCT SPEC	TERMI BLOK, PLUG, STACKING	
1 PLC ±		108-20166	3.5 mm PITCH	
2 PLC ±		APPLICATION SPEC	SIZE	CAGE CODE
3 PLC ±		114-20079	A200779	C-796693
4 PLC ±		WEIGHT	DRAWING NO	RESTRICTED TO
ANGLES ±		-	796693	-
FINISH		CUSTOMER DRAWING	SCALE 4:1	SHEET 1 OF 2 REV B2

4

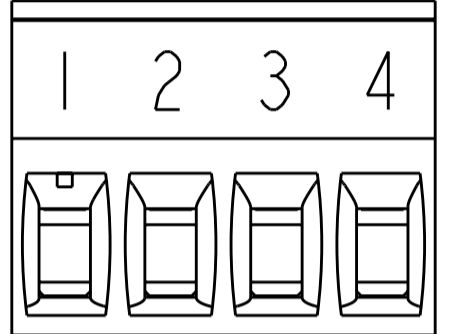
3

2

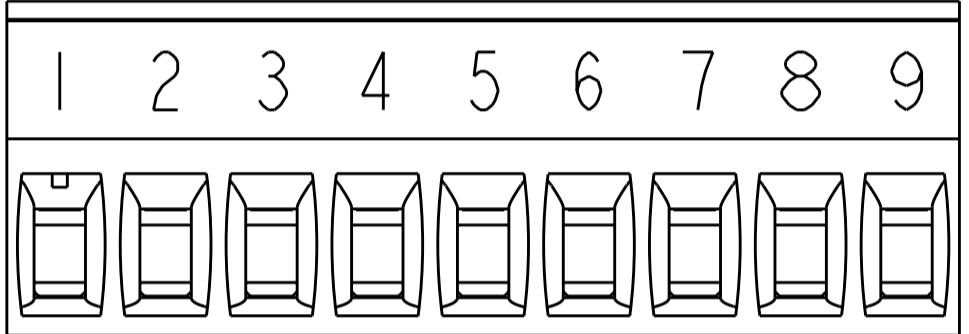
1

THIS DRAWING IS UNPUBLISHED. RELEASED FOR PUBLICATION 20
 © COPYRIGHT 20 ALL RIGHTS RESERVED.

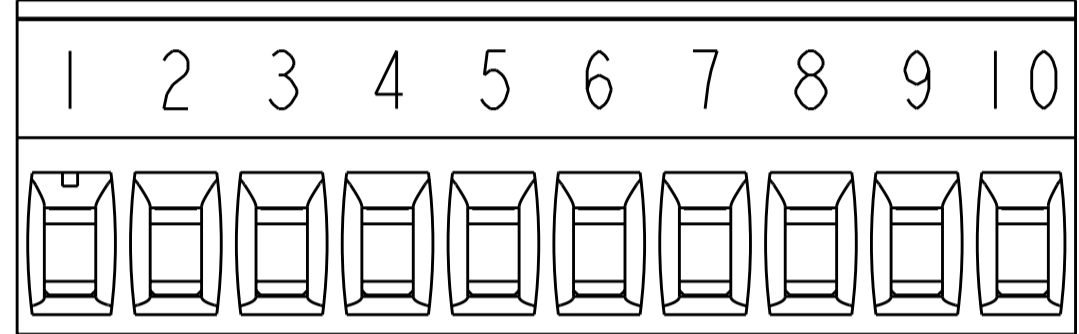
LOC	DIST	REVISIONS			
P	LTR	DESCRIPTION	DATE	DWN	APVD
FT	0	-	SEE SHEET 1	-	-



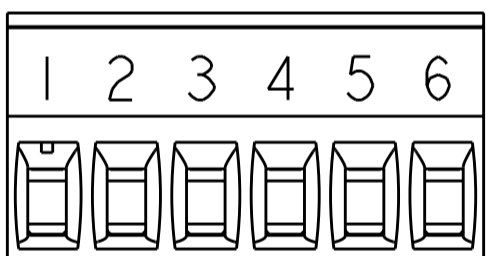
3-796693-4 AS SHOWN



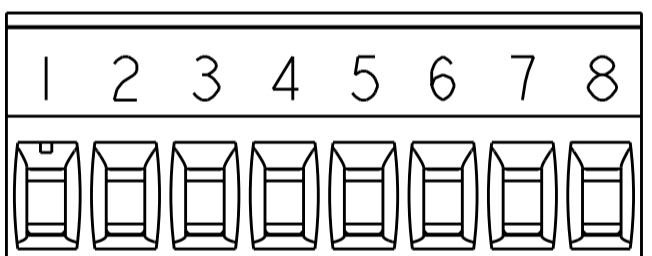
3-796693-9 AS SHOWN



3-796693-0 AS SHOWN



4-796693-0 AS SHOWN



4-796693-1 AS SHOWN

THIS DRAWING IS A CONTROLLED DOCUMENT.		DWN S. WELDON 27NOV2000	TE Connectivity	
DIMENSIONS: mm		CHK D. BIEVENOUR 27NOV2000		
TOLERANCES UNLESS OTHERWISE SPECIFIED:		APVD D. BIEVENOUR 27NOV2000	NAME TERMI BLOK, PLUG, STACKING 3.5 mm PITCH	
0 PLC ±-		PRODUCT SPEC 108-20166	RESTRICTED TO	
1 PLC ±-		APPLICATION SPEC 114-20079	SIZE A200779	CAGE CODE C-796693
2 PLC ±-		WEIGHT -	SCALE 4:1 SHEET 2 OF 2 REV B2	
3 PLC ±-		CUSTOMER DRAWING		
4 PLC ±-				
ANGLES ±-				
FINISH				

Mouser Electronics

Authorized Distributor

Click to View Pricing, Inventory, Delivery & Lifecycle Information:

[TE Connectivity:](#)

[796693-2](#)