

| rev | ecn no | dr | date |
|-----|----------|-----|------------|
| A | V20428 | LRJ | 2002-03-11 |
| B | V03-0427 | TAB | 2003-14-15 |
| C | V03-0663 | TAB | 2003-06-12 |
| D | V05-0052 | VS | 2005-10-14 |
| E | V06-0558 | LP | 2006-06-12 |
| F | V07-0438 | LP | 2007-07-02 |
| G | V08-0329 | SM | 2008-11-14 |

A

B

C

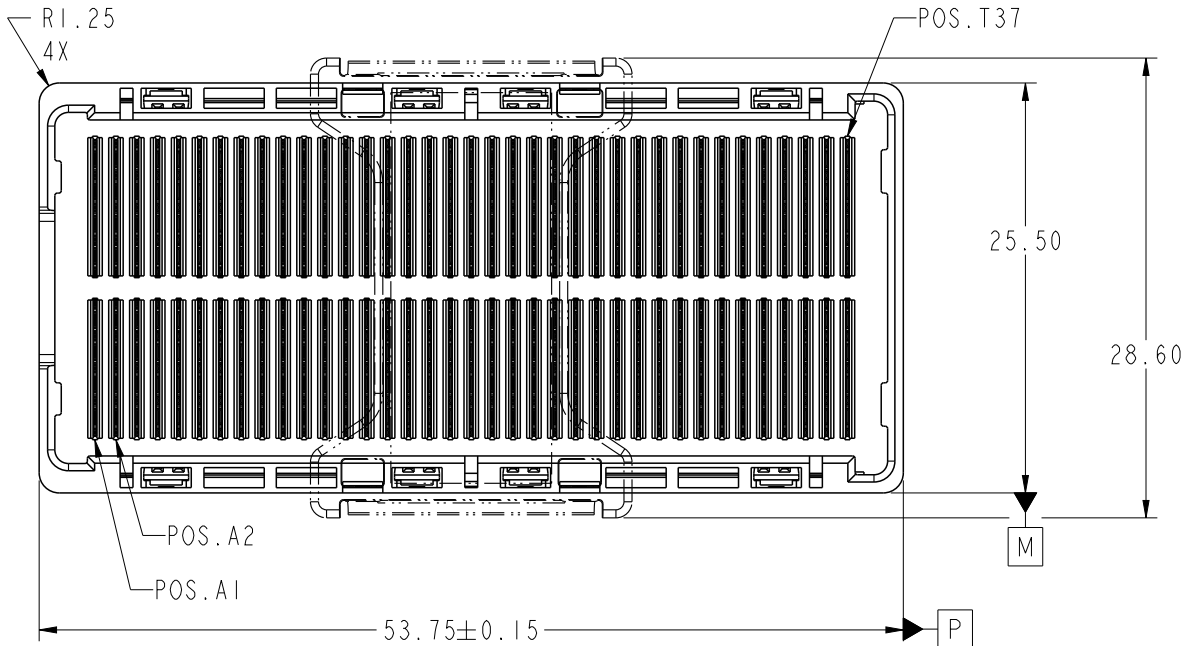
D

A

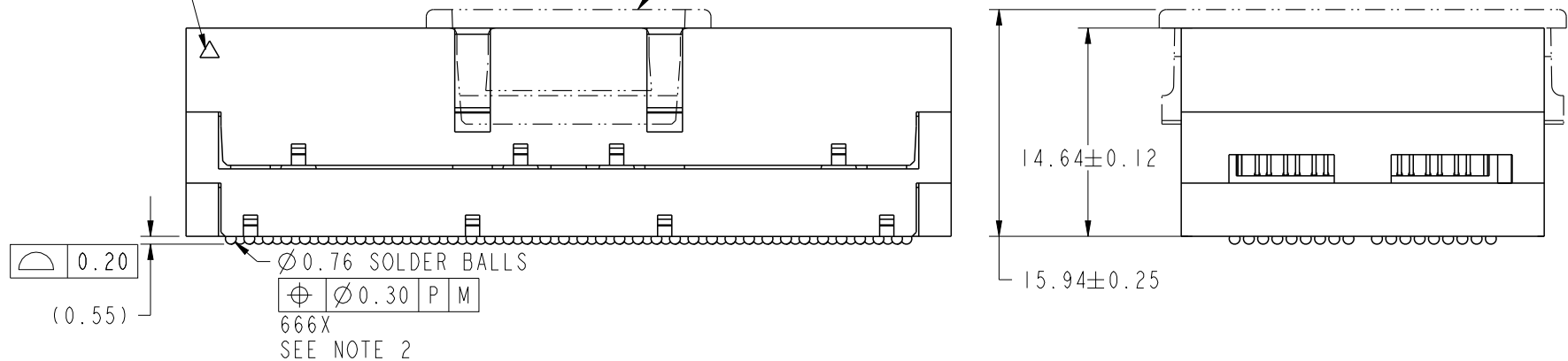
B

C

D



POS.A1 MARKER PICK-UP CAP



| | | | | | | | | | | | |
|---------------------------------------|------------|-------|----------------|-------------|----------------|------------------------|----------------|-----------------|-----------|-----------|----------|
| spec ref | - | dr | Bill Lin | 2010/02/02 | projection | mm | size | A4 | scale | 1:10 | |
| tolerance std | ASME Y14.5 | eng | Nickor Zuo | 2011/06/02 | | | ecn no | ELX-DG-003943-1 | | | |
| TOLERANCES UNLESS OTHERWISE SPECIFIED | | chr | Alex Cao | 2011/06/24 | | | product family | GIG-Array | | rel level | Released |
| surface | ✓ | appr | Pei-Ming Zheng | 2011/06/27 | | | GIG-Array | | rel level | Released | |
| | linear | 0.X | ±0.30 | | title | GIG-Array | dwg no | 55700 | rev | H | |
| | | 0.XX | ±0.10 | | | | | | | | |
| | | 0.XXX | ±0.05 | | | | | | | | |
| | angular | 0° | ±2° | www.fci.com | cat. no. | Product - Customer Drw | | sheet 1 of 5 | | | |

ProjE File - REV C - 2009-06-09

2

3

PDS: Rev :H

STATUS:Released

Printed: Jun 27, 2011

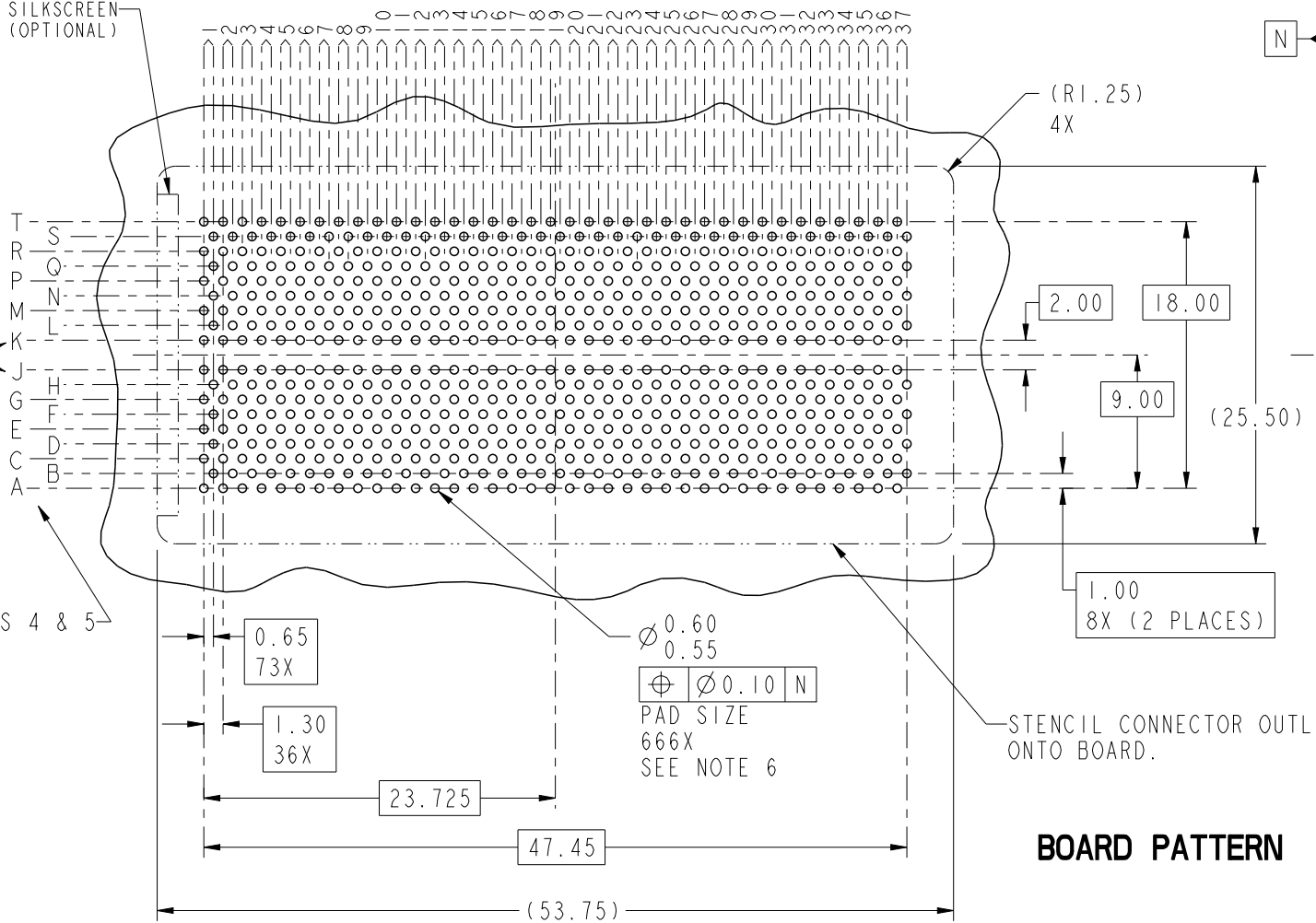
FCI

Copyright FCI.

KEY ORIENTATION SILKSCREEN
(OPTIONAL)

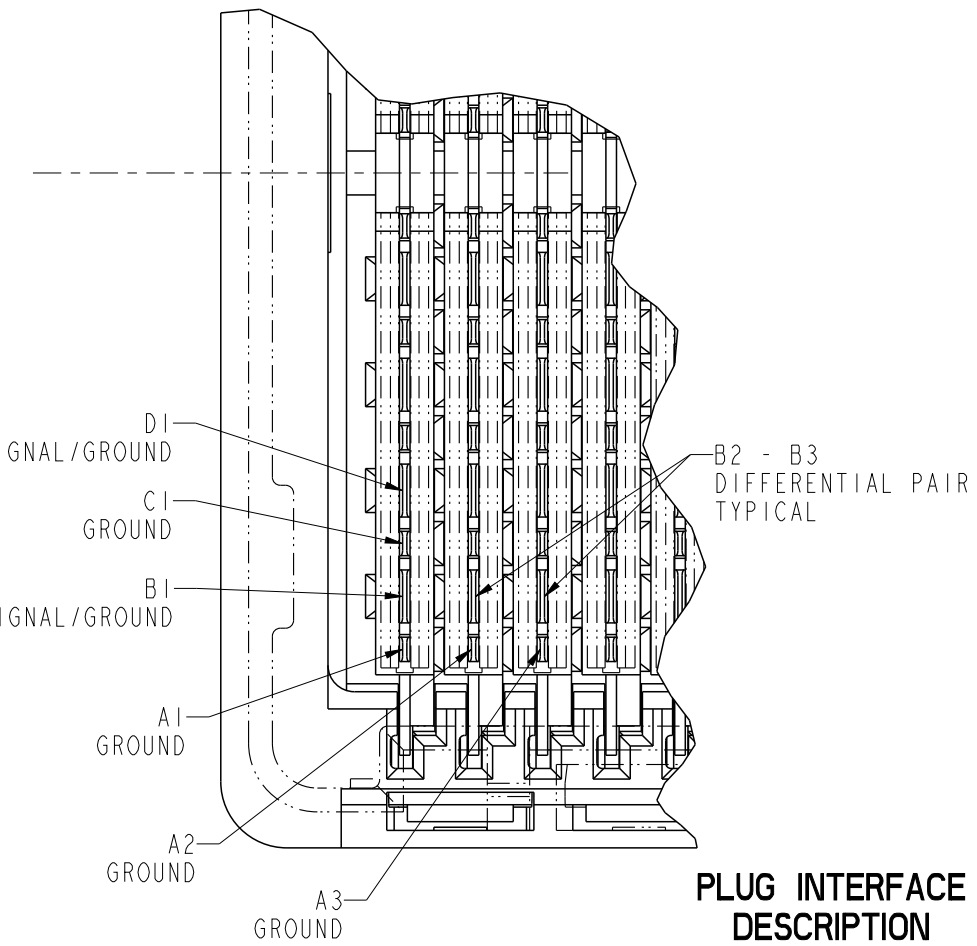
④ CONTACTS IN
ROWS J & K ARE
TIED TOGETHER
(COMMONED)

SEE NOTES 4 & 5



BOARD PATTERN

| | | | | | | | | | | | | | |
|---------------------------------------|------------|------|----------------|------------|-------------------------------|----|----------------|----|------------------------|------|--------------|-----|----------|
| spec ref | - | dr | Bill Lin | 2010/02/02 | projection | mm | size | A4 | scale | 1:10 | | | |
| tolerance std | ASME Y14.5 | eng | Nickor Zuo | 2011/06/02 | | | ecn no | | ELX-DG-003943-1 | | | | |
| TOLERANCES UNLESS OTHERWISE SPECIFIED | | chr | Alex Cao | 2011/06/24 | | | product family | | GIG-Array | | rel level | | Released |
| surface | ✓ | appr | Pei-Ming Zheng | 2011/06/27 | title | | GIG-Array | | dwg no | | 55700 | rev | H |
| | linear | | | | 15mm PLUG ASSY. 296 SIG. POS. | | cat. no. | | Product - Customer Drw | | sheet 2 of 5 | | |
| | angular | | | | | | | | | | | | |



**PLUG INTERFACE
DESCRIPTION**

SCALE 7:1

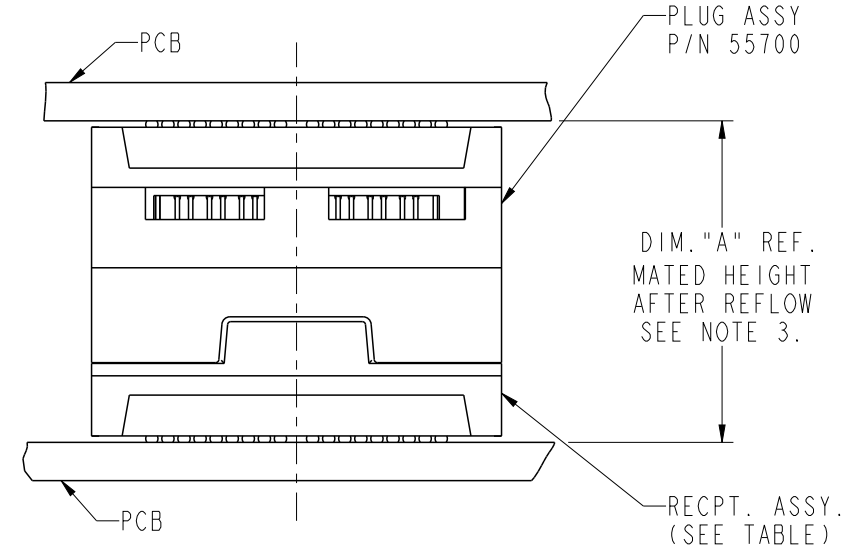
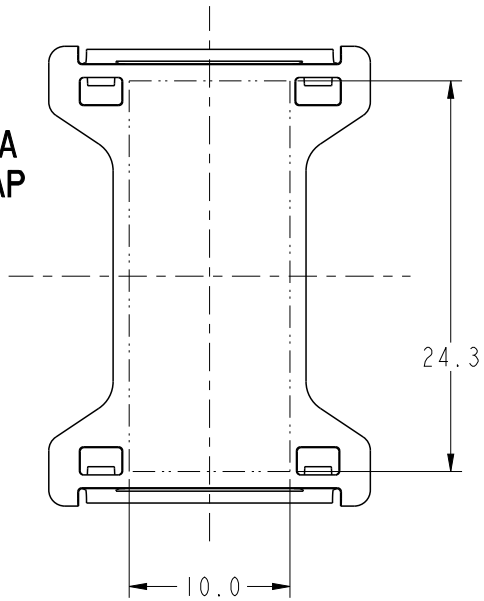


Copyright FCI.

| | | | | | | | | | | | | | |
|---------------|------------|---------------------------------------|-----|-------|------------------------|---|-----------------|-----------------|------------------------|------------|------------------------|-----------------|--------------|
| spec ref | | - | | dr | Bill Lin | 2010/02/02 | projection | mm | size | A4 | scale | 37:5 | |
| tolerance std | ASME Y14.5 | TOLERANCES UNLESS OTHERWISE SPECIFIED | | | | eng | | | Nickor Zuo | 2011/06/02 | ecn no | ELX-DG-003943-1 | |
| | | | | | | chr | | | Alex Cao | 2011/06/24 | | product family | GIG-Array |
| surface | ✓ | linear | 0.X | ±0.30 | www.fci.com | title GIG-Array 15mm PLUG ASSY. 296 SIG. POS. | dwg no 55700 | rev H | cat. no. | | Product - Customer Drw | | sheet 3 of 5 |
| | angular | 0° | ±2° | | | | | | Product - Customer Drw | | sheet 3 of 5 | | |
| | | | | | | | | | Product - Customer Drw | | sheet 3 of 5 | | |

ProE File - REV C - 2009-06-09

**FLAT AREA
PICK-UP CAP**



END VIEW OF MATED CONNECTORS

| DIM. "A" | RECPT. ASSY. P/N |
|----------|------------------|
| 20 | 55701 |
| 30 | 55733 |



Copyright FCI.

| | | | | | | | | | | | | | |
|---------------|------------|---------------------------------------|-------|-------|-------------|----------------|----------------|------------------------|------------|----------------|-----------------|-----------|----------|
| spec ref | | - | | dr | Bill Lin | 2010/02/02 | projection | mm | size | A4 | scale | 1:10 | |
| tolerance std | ASME Y14.5 | TOLERANCES UNLESS OTHERWISE SPECIFIED | | | eng | Nickor Zuo | | | 2011/06/02 | ecn no | ELX-DG-003943-1 | | |
| | | | | | chr | Alex Cao | | | 2011/06/24 | | | | |
| surface | ✓ | linear | 0.X | ±0.30 | appr | Pei-Ming Zheng | | | 2011/06/27 | product family | GIG-Array | rel level | Released |
| | | | 0.XX | ±0.10 | FCI | | title | GIG-Array | | dwg no | 55700 | rev | H |
| | | | 0.XXX | ±0.05 | www.fci.com | | cat. no. | Product - Customer Drw | | sheet 4 of 5 | | | |
| | | angular | 0° | ±2° | | | | | | | | | |

| PRODUCT NUMBER | SOLDER BALL COMPOSITION | CONTACT PLATING PERFORMANCE LEVEL |
|----------------|-------------------------|--|
| 55700-001 | STANDARD (EUTECTIC) | PERFORMANCE-BASED PLATING, QUALIFIED TO MEET THE REQUIREMENTS OF FCI PRODUCT SPECIFICATION GS-12-192, INCLUDING TELCORDIA CENTRAL OFFICE |
| 55700-001LF | LEADFREE | |
| 55700-201 | STANDARD (EUTECTIC) | Au over Ni |
| 55700-201LF | LEADFREE | |

NOTES:

- ① MATERIAL:
HOUSING: LCP
CONTACT: COPPER ALLOY
PLATING (CONTACT): Au OVER Ni.
UL RATING: 94 V-0
SOLDER BALL: (SEE TABLE) EUTECTIC SnPb OR LEADFREE 95.5 Sn/4Ag/0.5Cu
- ② SOLDER BALLS WILL NOT BE PERFECT SPHERICAL SHAPE DUE TO REFLOW ATTACHMENT.
- ③ MATED HEIGHT EFFECTED BY CUSTOMERS' PCB PAD SIZE, PLATING, SOLDER REFLOW PROFILE & SOLDER PASTE.
- ④ CONTACTS IN ROWS A,C,E,G,J,K,M,P,R AND T ARE SINGLE BEAM CONTACTS, TYPICALLY USED AS GROUND PINS. (NOTE: CONTACTS IN ROWS J & K ARE TIED TOGETHER [COMMONED])
- ⑤ CONTACTS IN ROWS B,D,F,H,L,N,Q AND S ARE DUAL BEAM CONTACTS, TYPICALLY USED AS SIGNAL PINS.

NOTES CONTINUED

- ⑥ SPECIFIED POSITIONAL TOLERANCE DEFINES PAD TO PAD LOCATION WITHIN LAND PATTERN. POSITIONAL TOLERANCE OF LAND PATTERN TO FUDICIAL MARKS OR PCB DATUMS SHALL BE DEFINED BY CUSTOMER. FOR RECOMMENDED PRODUCT APPLICATION AND PCB DESIGN DETAILS, SEE DOC. NO. GS-20-016.
- ⑦ FOR PROPER APPLICATION FOLLOW FCI APPLICATION SPECIFICATION GS-20-033 LEADFREE SOLDER BALLS WILL NOT SOLDER PROPERLY IN A LEADED SOLDER PROCESS DUE TO A HIGHER REFLOW TEMPERATURE, LEADFREE PRODUCT IS THEREFORE NOT BACKWARDS COMPATIBLE WITH LEADED OR SOME SOLDERING APPLICATIONS. REFERENCE FCI APPLICATION SPECIFICATION.
- ⑧ THIS PRODUCT MEETS THE EUROPEAN UNION DIRECTIVES AND OTHER COUNTRY REGULATIONS AS DESCRIBED IN GS-22-008. PRODUCT MEETING WITH THIS DIRECTIVE IS IDENTIFIED IN THE LOT CODE NUMBER MARKED ON EACH PART BY HAVING AN "X" IN THE SEVENTH CHARACTER POSITION.

| | | | | | | | | | | | | | | |
|---------------|--|---|----------------|------------|----------------|-----------|--------|-----------------|----------|------|--|---|-----------------|------------------------------------|
| spec ref | - | dr | Bill Lin | 2010/02/02 | projection | | size | A4 | scale | 1:10 | | | | |
| tolerance std | TOLERANCES UNLESS OTHERWISE SPECIFIED | eng | Nickor Zuo | 2011/06/02 | | | ecn no | ELX-DG-003943-1 | | | | | | |
| ASME Y14.5 | | chr | Alex Cao | 2011/06/24 | | | | rel level | Released | | | | | |
| surface | <input checked="" type="checkbox"/> linear <input type="checkbox"/> angular | appr | Pei-Ming Zheng | 2011/06/27 | product family | GIG-Array | | rev | H | | | | | |
| - | | <table border="1"> <tr> <td>0.X</td> <td>±0.30</td> </tr> <tr> <td>0.XX</td> <td>±0.10</td> </tr> <tr> <td>0.XXX</td> <td>±0.05</td> </tr> <tr> <td>0°</td> <td>±2°</td> </tr> </table> | 0.X | ±0.30 | 0.XX | ±0.10 | 0.XXX | ±0.05 | 0° | ±2° | | title GIG-Array 15mm PLUG ASSY. 296 SIG. POS. | dwg no 55700 | cat. no. Product - Customer Drw |
| 0.X | ±0.30 | | | | | | | | | | | | | |
| 0.XX | ±0.10 | | | | | | | | | | | | | |
| 0.XXX | ±0.05 | | | | | | | | | | | | | |
| 0° | ±2° | | | | | | | | | | | | | |

Mouser Electronics

Authorized Distributor

Click to View Pricing, Inventory, Delivery & Lifecycle Information:

[FCI / Amphenol:](#)

[55700-001](#) [55700-001LF](#) [55700-201](#)