

EVALUATION KIT
AVAILABLE

MAXIM

High-Frequency, Regulated, 200mA, Inverting Charge Pump

MAX889

General Description

The MAX889 inverting charge pump delivers a regulated negative output voltage at loads of up to 200mA. The device operates with inputs from 2.7V to 5.5V to produce an adjustable, regulated output from -2.5V to $-V_{IN}$.

The MAX889 is available with an operating frequency of 2MHz (T version), 1MHz (S version), or 0.5MHz (R version). The higher switching frequency devices allow the use of smaller capacitors for space-limited applications. The lower frequency devices have lower quiescent current.

The MAX889 also features a 0.1 μ A logic-controlled shutdown mode and is available in an 8-pin SO package. An evaluation kit, MAX889SEVKIT, is available.

Features

- ◆ 200mA Output Current
- ◆ Up to 2MHz Switching Frequency
- ◆ Small Capacitors (1 μ F)
- ◆ +2.7V to +5.5V Input Voltage Range
- ◆ Adjustable Regulated Negative Output (-2.5V to $-V_{IN}$)
- ◆ 0.1 μ A Logic-Controlled Shutdown
- ◆ Low 0.05 Ω Output Resistance (in regulation)
- ◆ Soft-Start and Foldback Current Limited
- ◆ Short-Circuit and Thermal Shutdown Protected
- ◆ 8-Pin SO Package

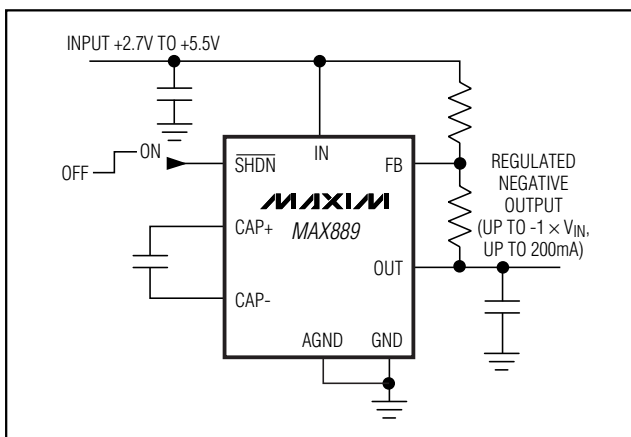
Applications

TFT Panels
Hard Disk Drives
Camcorders
Digital Cameras
Measurement Instruments
Battery-Powered Applications

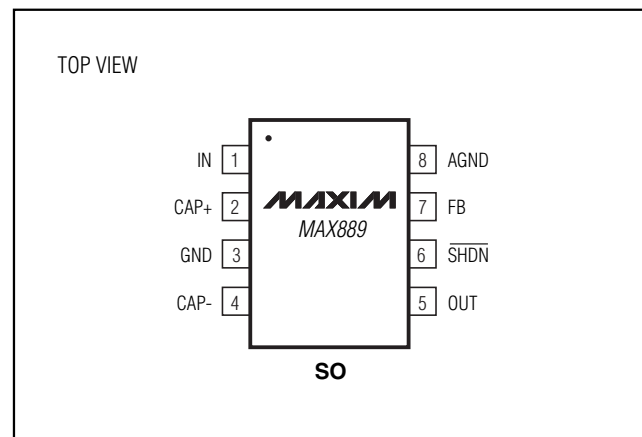
Ordering Information

PART	TEMP. RANGE	PIN-PACKAGE	SWITCHING FREQUENCY
MAX889TESA	-40°C to +85°C	8 SO	2MHz
MAX889SESA	-40°C to +85°C	8 SO	1MHz
MAX889RESA	-40°C to +85°C	8 SO	0.5MHz

Typical Operating Circuit



Pin Configuration



MAXIM

Maxim Integrated Products 1

For free samples and the latest literature, visit www.maxim-ic.com or phone 1-800-998-8800.
For small orders, phone 1-800-835-8769.

High-Frequency, Regulated, 200mA, Inverting Charge Pump

ABSOLUTE MAXIMUM RATINGS

IN to GND	-0.3V to +6V
FB, $\overline{\text{SHDN}}$, CAP+ to GND	-0.3V to ($V_{\text{IN}} + 0.3\text{V}$)
AGND to GND	-0.3V to +0.3V
OUT to GND	-6V to +0.3V
CAP- to GND	($V_{\text{OUT}} - 0.3\text{V}$) to +0.3V
Continuous Output Current	250mA
Output Short-Circuit Duration	Indefinite

Continuous Power Dissipation ($T_{\text{A}} = +70^{\circ}\text{C}$)	
8-Pin SO (derate 5.88mW/ $^{\circ}\text{C}$ above $+70^{\circ}\text{C}$).....	471mW
Operating Temperature Range.....	-40°C to $+85^{\circ}\text{C}$
Junction Temperature	$+150^{\circ}\text{C}$
Storage Temperature Range	-65°C to $+150^{\circ}\text{C}$
Lead Temperature (soldering, 10s)	$+300^{\circ}\text{C}$

Stresses beyond those listed under "Absolute Maximum Ratings" may cause permanent damage to the device. These are stress ratings only, and functional operation of the device at these or any other conditions beyond those indicated in the operational sections of the specifications is not implied. Exposure to absolute maximum rating conditions for extended periods may affect device reliability.

ELECTRICAL CHARACTERISTICS

($V_{\text{IN}} = V_{\overline{\text{SHDN}}} = +5\text{V}$, capacitors from Table 1, $T_{\text{A}} = 0^{\circ}\text{C}$ to $+85^{\circ}\text{C}$, unless otherwise noted. Typical values are at $T_{\text{A}} = +25^{\circ}\text{C}$.)

PARAMETER	SYMBOL	CONDITIONS	MIN	TYP	MAX	UNITS
Supply Voltage Range	V_{IN}	$R_{\text{LOAD}} = 100\Omega$	2.7		5.5	V
Output Voltage Range	V_{OUT}	$R_{\text{LOAD}} = 100\Omega$	-2.5		$-V_{\text{IN}}$	V
Maximum Output Current	$I_{\text{OUT(MAX)1}}$	$V_{\text{IN}} = 5\text{V}$, $V_{\text{OUT}} = -3.3\text{V}$	200			mA
	$I_{\text{OUT(MAX)2}}$	$V_{\text{IN}} = 3.3\text{V}$, $V_{\text{OUT}} = -2.5\text{V}$	145			
Quiescent Supply Current (Free-Run Mode)	$I_{\text{Q(FREE-RUN)}}$	No load, $V_{\text{FB}} = V_{\text{IN}}$	MAX889R	6	12	mA
			MAX889S	12	24	
			MAX889T	24	48	
Quiescent Supply Current (Regulated Mode)	$I_{\text{Q(REGULATED)}}$	No load, V_{OUT} regulated to -3.3V	MAX889R	3.3	7	mA
			MAX889S	5.5	12	
			MAX889T	11	22	
Shutdown Supply Current	$I_{\overline{\text{SHDN}}}$	$V_{\overline{\text{SHDN}}} = 0$		0.1	50	μA
Open-Loop Output Resistance (Free-Run Mode)	R_{O}	$V_{\text{FB}} = V_{\text{IN}}$		2.0	4.5	Ω
Output Resistance	$R_{\text{O(REG1)}}$	V_{OUT} regulated to -3.3V		0.05		Ω
$\overline{\text{SHDN}}$, FB Input Bias Current					± 1	μA
FB Input Offset Voltage		$I_{\text{LOAD}} = 0$		± 3	± 35	mV
Load Regulation		$I_{\text{OUT}} = 0$ to 200mA		10		mV
IN Undervoltage Lockout Threshold		V_{IN} rising (30mV hysteresis)	2.3		2.6	V
$\overline{\text{SHDN}}$ Logic High	V_{IH}	$V_{\text{IN}} = +2.7\text{V}$ to $+5.5\text{V}$	$0.7 \times V_{\text{IN}}$			V
$\overline{\text{SHDN}}$ Logic Low	V_{IL}		$0.3 \times V_{\text{IN}}$			
Switching Frequency	f_{OSC}	MAX889R	0.375	0.5	0.62	MHz
		MAX889S	0.75	1	1.25	
		MAX889T	1.5	2	2.5	
Thermal Shutdown Threshold		Junction temperature rising (15 $^{\circ}\text{C}$ hysteresis)		160		$^{\circ}\text{C}$

High-Frequency, Regulated, 200mA, Inverting Charge Pump

MAX889

ELECTRICAL CHARACTERISTICS

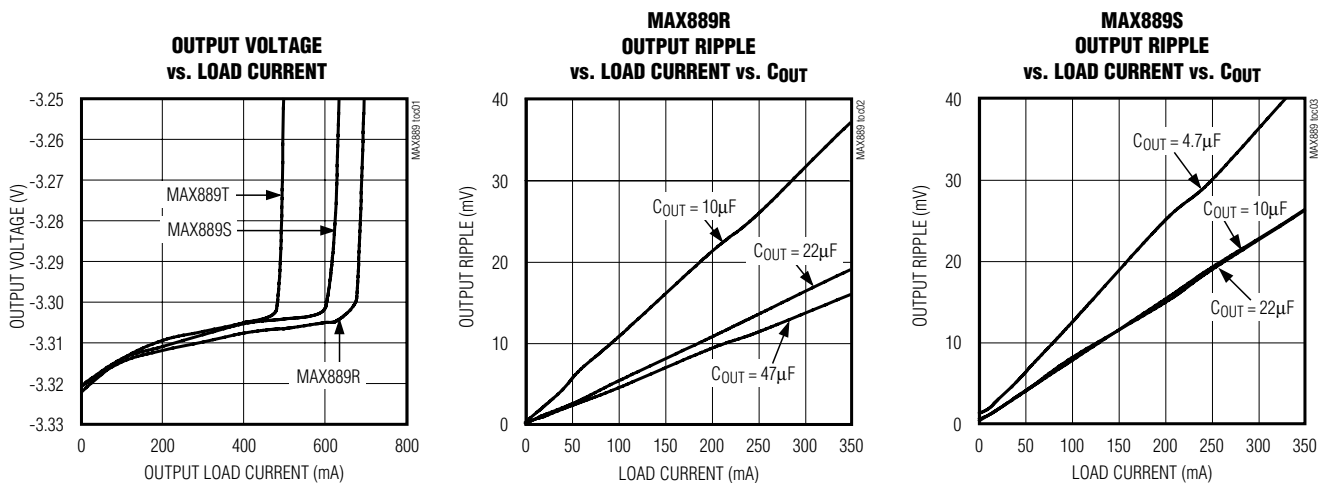
($V_{IN} = V_{SHDN} = +5V$, capacitors from Table 1, $T_A = -40^{\circ}C$ to $+85^{\circ}C$, unless otherwise noted.) (Note 1)

PARAMETER	SYMBOL	CONDITIONS	MIN	MAX	UNITS
Supply Voltage Range	V_{IN}	$R_{LOAD} = 100\Omega$	2.7	5.5	V
Output Voltage Range	V_{OUT}	$R_{LOAD} = 100\Omega$	-2.5	$-V_{IN}$	V
Maximum Output Current	$I_{OUT(MAX)1}$	$V_{IN} = 5V, V_{OUT} = -3.3V$	200		mA
	$I_{OUT(MAX)2}$	$V_{IN} = 3.3V, V_{OUT} = -2.5V$	145		
Quiescent Supply Current (Free-Run Mode)	$I_{Q(FREE-RUN)}$	No load, $V_{FB} = V_{IN}$	MAX889R	12	mA
			MAX889S	24	
			MAX889T	48	
Quiescent Supply Current (Regulated Mode)	$I_{Q(REGULATED)}$	No load, V_{OUT} regulated to -3.3V	MAX889R	7	mA
			MAX889S	12	
			MAX889T	22	
Shutdown Supply Current	I_{SHDN}	$V_{SHDN} = 0$		50	μA
Open-Loop Output Resistance (Free-Run Mode)	R_O	$V_{FB} = V_{IN}$		4.5	Ω
SHDN FB Input Bias Current				± 1	μA
FB Input Offset Voltage		$I_{LOAD} = 0$		± 35	mV
IN Undervoltage Lockout Threshold		V_{IN} rising (30mV hysteresis)	2.3	2.6	V
SHDN Logic High	V_{IH}	$V_{IN} = +2.7V$ to $+5.5V$	$0.7 \times V_{IN}$		V
SHDN Logic Low	V_{IL}		$0.3 \times V_{IN}$		
Switching Frequency	f_{OSC}	MAX889R	0.375	0.62	MHz
		MAX889S	0.75	1.25	
		MAX889T	1.5	2.5	

Note 1: Specifications to $-40^{\circ}C$ are guaranteed by design, not production tested.

Typical Operating Characteristics

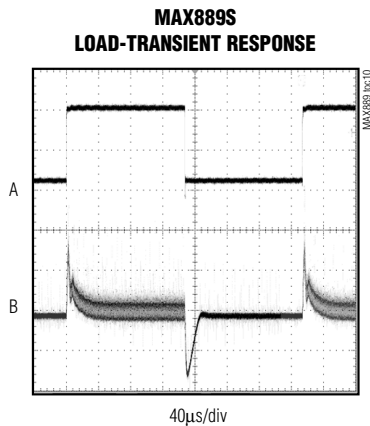
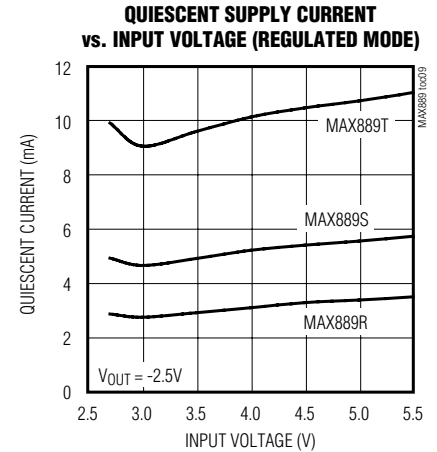
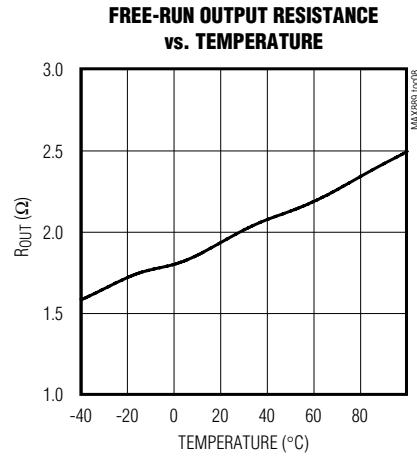
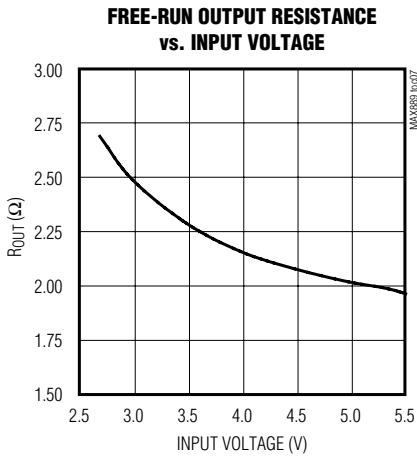
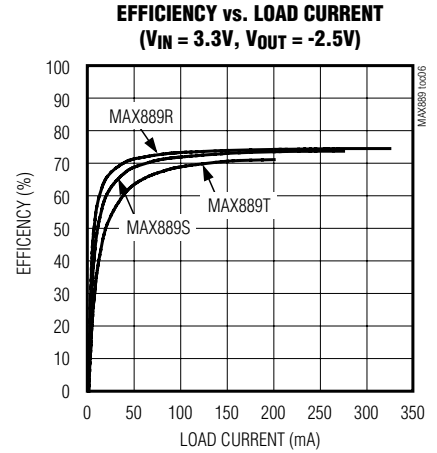
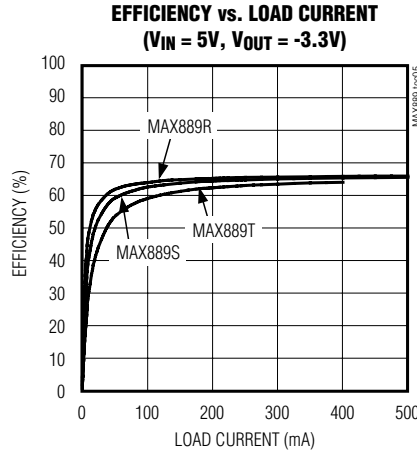
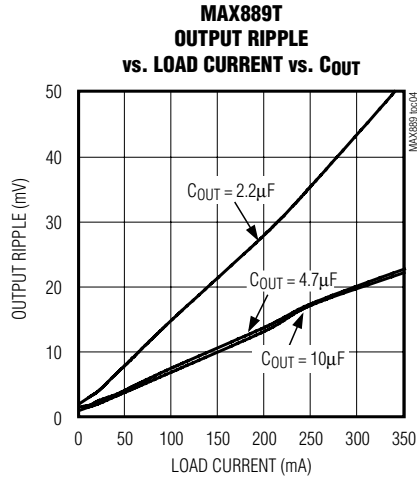
(Circuit of Figure 1, $V_{IN} = V_{SHDN} = +5V$, capacitors from Table 1, $T_A = +25^{\circ}C$, unless otherwise noted.)



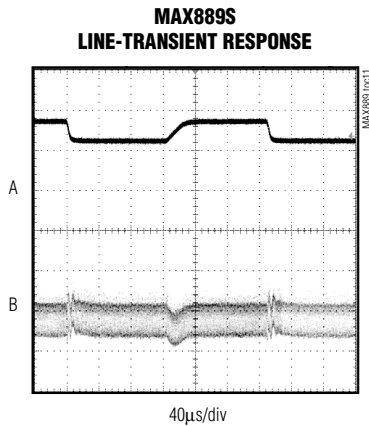
High-Frequency, Regulated, 200mA, Inverting Charge Pump

Typical Operating Characteristics (continued)

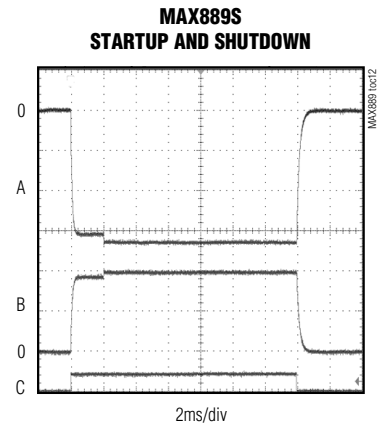
(Circuit of Figure 1, $V_{IN} = V_{SHDN} = +5V$, capacitors from Table 1, $T_A = +25^\circ C$, unless otherwise noted.)



20 TO 200mA LOAD STEP
CIRCUIT OF FIGURE 4
A: I_{OUT} , 100mA/div
B: V_{OUT} , 20mV/div, AC-COUPLED



$I_{OUT} = 200mA$
CIRCUIT OF FIGURE 4
A: V_{IN} , 2V/div
B: V_{OUT} , 10mV/div, AC-COUPLED



$I_{OUT} = 200mA$
A: V_{OUT} , 1V/div
B: I_{IN} , 100mA/div
C: V_{SHDN} , 10V/div

High-Frequency, Regulated, 200mA, Inverting Charge Pump

MAX889

Pin Description

PIN	NAME	FUNCTION
1	IN	Power-Supply Positive Voltage Input
2	CAP+	Positive Terminal of Flying Capacitor
3	GND	Power Ground
4	CAP-	Negative Terminal of Flying Capacitor
5	OUT	Inverting Charge-Pump Output
6	$\overline{\text{SHDN}}$	Shutdown Control Input. Drive $\overline{\text{SHDN}}$ low to shut down the MAX889. Connect $\overline{\text{SHDN}}$ to IN for normal operation.
7	FB	Feedback Input. Connect FB to a resistor-divider from IN (or other positive reference voltage source) to OUT for regulated output voltages. Connect to IN for free-run mode.
8	AGND	Analog Ground

Detailed Description

The MAX889 high-current regulated charge-pump DC-DC inverter provides up to 200mA. It features the highest available output current while using small capacitors (Table 1). The three versions available differ in their switching frequencies (f_{OSC})—MAX889R/MAX889S/MAX889T with $f_{\text{OSC}} = 500\text{kHz}/1\text{MHz}/2\text{MHz}$, respectively. Higher frequencies allow the use of smaller components (Table 1). Even smaller capacitor values than those listed in Table 1 are suitable when the devices are loaded at less than their rated output current. Designed specifically for compact applications, a complete regulating circuit requires only three small capacitors and two resistors, Figure 1. In addition, the MAX889 includes soft-start, shutdown control, short-circuit, and thermal protection.

The oscillator, control circuitry, and four power MOSFET switches are included on-chip. The charge pump runs continuously at the operating frequency. During one-half of the oscillator period, switches S1 and S2 close (Figure 2), charging the transfer capacitor (C_{FLY}) to the input voltage ($\text{CAP-} = \text{GND}$, $\text{CAP+} = \text{IN}$). During the other half cycle, switches S3 and S4 close (Figure 3), transferring the charge on C_{FLY} to the output capacitor ($\text{CAP+} = \text{GND}$, $\text{CAP-} = \text{OUT}$).

Voltage Regulation

Voltage regulation is achieved by controlling the flying-capacitor charging rate. The MAX889 controls the charge on C_{FLY} by modulating the gate drive to S1 (Figure 2) to supply the charge necessary to maintain output regulation. When the output voltage droops, C_{FLY} charges higher due to increased gate drive. Since

the device switches continuously, the regulation scheme minimizes output ripple, and the output noise spectrum contains well-defined frequency components. Feedback voltage is sensed with a resistor-divider between an externally supplied positive reference or the supply voltage and the negative inverted output. The feedback loop servos FB to GND. The effective output impedance in regulation is 0.05Ω . The output remains in regulation until dropout is reached. Dropout depends on the output voltage setting and load current (see Output Voltage vs. Load Current in *Typical Operating Characteristics*).

Free-Run Mode (Unregulated Voltage Inverter)

The MAX889 may be used in an unregulated voltage inverter mode that does not require external feedback resistors, minimizing board space. Connecting FB to IN places the MAX889 in free-run mode. In this mode, the charge pump operates to invert directly the input supply voltage ($V_{\text{OUT}} = -(V_{\text{IN}} - I_{\text{OUT}} \times R_{\text{O}})$). Output resistance is typically 2Ω and can be approximated by the following equation:

$$R_{\text{O}} \cong [1 / (f_{\text{OSC}} \times C_{\text{FLY}})] + 2R_{\text{SW}} + 4\text{ESR}_{\text{CFLY}} + \text{ESR}_{\text{COUT}}$$

The first term is the effective resistance of an ideal switched-capacitor circuit (Figures 2 and 3), and R_{SW} is the sum of the charge pump's internal switch resistances (typically 0.8Ω at $V_{\text{IN}} = 5\text{V}$). The last two terms take into consideration the equivalent series resistance

High-Frequency, Regulated, 200mA, Inverting Charge Pump

(ESR) of the flying and output capacitors. The typical output impedance is more accurately determined from the *Typical Operating Characteristics*.

Current Limit and Soft-Start

The MAX889 features a foldback current-limit/soft-start scheme that allows it to limit inrush currents during startup, overload, and output short-circuit conditions. Additionally, it permits a safe, timed recovery from fault conditions. This protects the MAX889 and prevents low-current or higher output impedance input supplies (such as alkaline cells) from being overloaded at start-up or short-circuit conditions.

The MAX889 features two current-limit/soft-start levels with corresponding response to rising and falling output voltage thresholds of -0.6V and -1.5V. When the falling output voltage crosses -1.5V, such as during an overload condition, the input current is immediately limited to 400mA by weakening the charge-pump switches. When the falling output voltage crosses -0.6V, such as during a short-circuit condition, the MAX889 further weakens the charge-pump switches, immediately limiting input current to 200mA.

During startup or short-circuit recovery, the MAX889 limits input current to 200mA with charge-pump switches at their weakest level. Rising output voltage crossing -0.6V initiates a 2ms timer, after which the MAX889 increases switch strength to the next level. The rising output voltage crossing -1.5V initiates a 2ms timer, after which the MAX889 provides full-strength operation.

Shutdown

When $\overline{\text{SHDN}}$ (a CMOS-compatible input) is driven low, the MAX889 enters 0.1 μA shutdown mode. Charge-

pump switching halts. Connect $\overline{\text{SHDN}}$ to IN or drive high for normal operation.

Thermal Shutdown

The MAX889 features thermal shutdown with hysteresis for added protection against fault conditions. When the die temperature exceeds 160°C, the internal oscillator stops, suspending device operation. The MAX889 resumes operation when the die temperature falls 15°C. This prevents the device from rapidly oscillating around the temperature trip point.

Applications Information

Resistor Selection (Setting the Output Voltage)

The accuracy of V_{OUT} depends on the accuracy of the voltage biasing R1 in Figure 1. Use a separate reference voltage if greater accuracy than provided by V_{IN} is desired (Figure 4). Keep the feedback node as small as possible, with resistors mounted close to the FB pin.

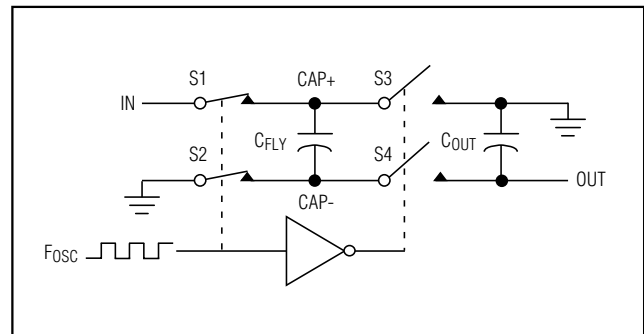


Figure 2. Charging C_{FLY}

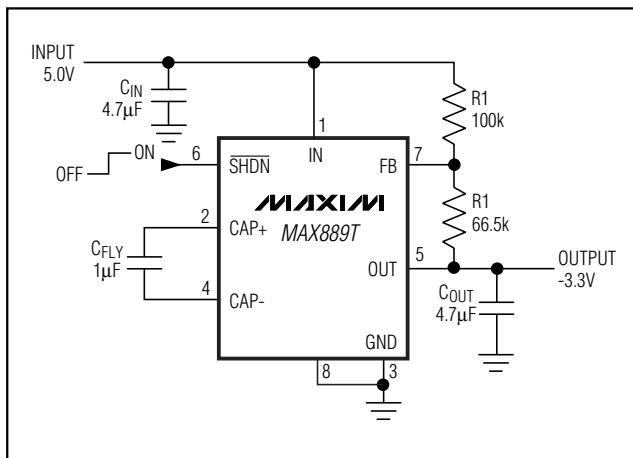


Figure 1. Typical Application Circuit.

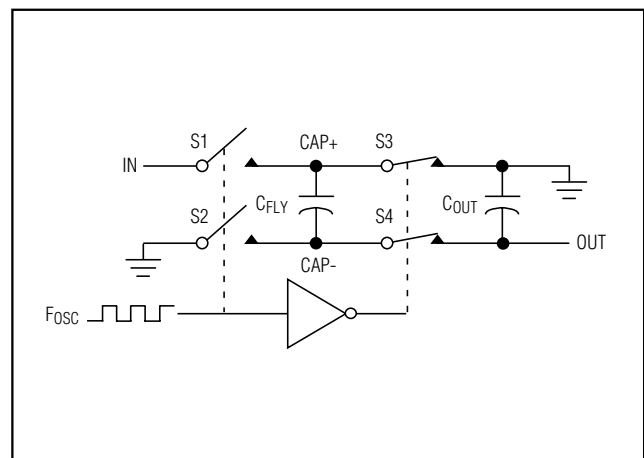


Figure 3. Transferring Charge on C_{FLY} to C_{OUT}

High-Frequency, Regulated, 200mA, Inverting Charge Pump

Adjust the output voltage to a negative voltage from -2.5V to $-V_{IN}$ with external resistors R1 and R2 as shown in Figures 1 and 4. FB servos to GND. Choose R1 to be 100k Ω or less. Calculate R2 for the desired output voltage:

$$V_{OUT} = -V_{REF} (R2 / R1)$$

$$R2 = R1 (V_{OUT} / -V_{REF})$$

where V_{REF} can be either V_{IN} or a positive reference source.

Typically, choose a voltage-divider current of at least 30 μ A to minimize the effect of FB input current and capacitance:

$$R1 \leq V_{REF} / 30\mu A$$

$$R2 < -V_{OUT} / 30\mu A$$

Capacitor Selection

The appropriate capacitors used with the MAX889 depend on the switching frequency. Table 1 provides suggested values for C_{IN} , C_{FLY} , and C_{OUT} .

Surface-mount ceramic capacitors are preferred for C_{IN} , C_{OUT} , and C_{FLY} due to their small size, low cost, and low ESR. To ensure proper operation over the entire temperature range, choose ceramic capacitors with X7R (or equivalent) low-temperature-coefficient (tempco) dielectrics. See Table 2 for a list of suggested capacitor suppliers.

The output capacitor stores the charge transferred from the flying capacitor and services the load between oscillator cycles. A good general rule is to make the output capacitance at least five-times greater than the flying capacitor.

Output voltage ripple is largely dependent on C_{OUT} . Choosing a low-ESR capacitor of sufficient value is important in minimizing the peak-to-peak output voltage ripple, which is approximated by the following equation:

$$V_{RIPPLE} = \frac{I_{OUT}}{2 \times f_{OSC} C_{OUT}} + 2 \times I_{OUT} ESR_{C_{OUT}}$$

where C_{OUT} is the output capacitor value, $ESR_{C_{OUT}}$ is the output capacitor's ESR, and f_{OSC} is the MAX889 switching frequency. Ceramic capacitors have the lowest ESR and are recommended for C_{OUT} . Where larger capacitance at low cost is desired, a low-ESR tantalum capacitor may be used for C_{OUT} . See Table 2 for a list of suggested capacitor suppliers.

To ensure stability over the entire operating temperature range, choose a low-ESR output capacitor using the following equation:

$$C_{OUT} \geq \left(\frac{15.5}{f_{MIN}} \right) \left(\frac{R1}{R1 + R2} \right) \sqrt{I_{OUT}}$$

where C_{OUT} is the output capacitor value, and f_{MIN} is the minimum oscillator frequency in the *Electrical Characteristics* table.

To ensure stability for regulated output mode, suitable output capacitor ESR should be determined by the following equation:

$$R_{ESR} \leq \left(\frac{19.2 \times 10^{-3}}{\sqrt{I_{OUT}}} \right) \left(1 + \frac{R2}{R1} \right)$$

Power Dissipation

The power dissipated in the MAX889 depends on the input voltage, output voltage, and output current. Device power dissipation is accurately described by:

$$P_{DISS} = I_{OUT} (V_{IN} - (-V_{OUT})) + (I_Q \times V_{IN})$$

where I_Q is the device quiescent current. P_{DISS} must be less than the package dissipation rating (see *Absolute Maximum Ratings*). Pay particular attention to power dissipation limits when generating small negative voltages from large positive input voltages.

Layout Considerations

The MAX889's high oscillator frequencies demand good layout techniques that ensure stability and help maintain the output voltage under heavy loads. Take the following steps to ensure optimum layout:

- 1) Mount all components as close together as possible.
- 2) Place the feedback resistors R1 and R2 close to the FB pin, and minimize the PC trace length at the FB circuit node.
- 3) Keep traces short to minimize parasitic inductance and capacitance.
- 4) Use a ground plane with C_{IN} and C_{OUT} placed in a star ground configuration (see the MAX889SEVKIT layout).

High-Frequency, Regulated, 200mA, Inverting Charge Pump

Table 1. Capacitor Selection Table

PART	FREQUENCY	C _{FLY}	C _{OUT}	C _{IN} REGULATED	C _{IN} FREE-RUN
MAX889R	0.5MHz	4.7µF	22µF	22µF	4.7µF
MAX889S	1MHz	2.2µF	10µF	10µF	2.2µF
MAX889T	2MHz	1µF	4.7µF	4.7µF	1µF

Table 2. Low-ESR Capacitor Manufacturers

PRODUCTION METHOD	MANUFACTURER	SERIES	PHONE	FAX
Surface-Mount Tantalum	AVX	TPS series	803-946-0690	803-626-3123
	Kemet	494 series	864-963-6300	864-963-6521
	Matsuo	267 series	714-969-2491	714-960-6492
	Sprague	593D, 595D series	603-224-1961	603-224-1430
Surface-Mount Polymer	Sanyo	POSCAP-APA	619-661-6835	619-661-1055
Surface-Mount Ceramic	AVX	X7R	803-946-0690	803-626-3123
	Kemet	X7R	864-963-6300	864-963-6521
	Matsuo	X7R	714-969-2491	714-960-6492
	Murata	GRM X7R	814-237-1431	814-238-0490

Chip Information

TRANSISTOR COUNT: 1840
PROCESS: BiCMOS

Package Information

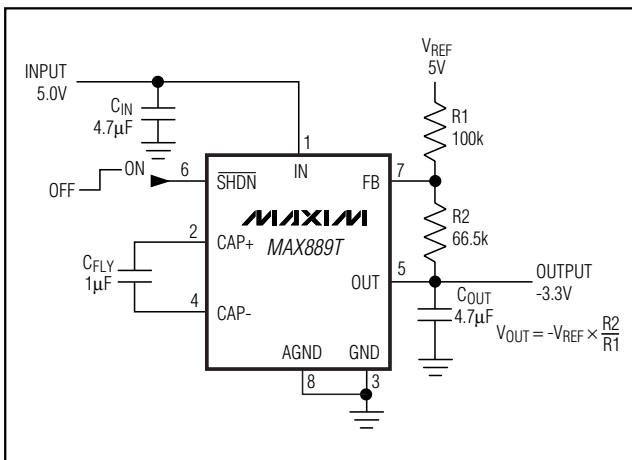
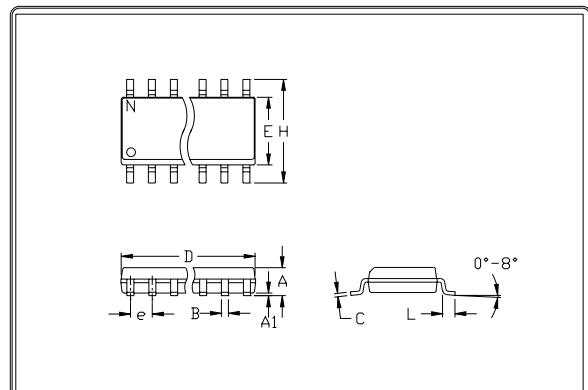


Figure 4. Separate VREF for Voltage Divider



	INCHES		MILLIMETERS	
	MIN	MAX	MIN	MAX
A	0.053	0.069	1.35	1.75
A1	0.004	0.010	0.10	0.25
B	0.014	0.019	0.35	0.49
C	0.007	0.010	0.19	0.25
e	0.050		1.27	
E	0.150	0.157	3.80	4.00
H	0.228	0.244	5.80	6.20
h	0.010	0.020	0.25	0.50
L	0.016	0.050	0.40	1.27

	INCHES		MILLIMETERS		N	MS012
	MIN	MAX	MIN	MAX		
D	0.189	0.197	4.80	5.00	8	A
D	0.337	0.344	8.55	8.75	14	B
D	0.386	0.394	9.80	10.00	16	C

- NOTES:
1. D&E DO NOT INCLUDE MOLD FLASH
2. MOLD FLASH OR PROTRUSIONS NOT TO EXCEED .15mm (.006")
3. LEADS TO BE COPLANAR WITHIN .102mm (.004")
4. CONTROLLING DIMENSION: MILLIMETER
5. MEETS JEDEC MS012-XX AS SHOWN IN ABOVE TABLE
6. N = NUMBER OF PINS

MAXIM PACKAGE FAMILY OUTLINE: SOIC .150" 1/1 21-0041 A

Maxim cannot assume responsibility for use of any circuitry other than circuitry entirely embodied in a Maxim product. No circuit patent licenses are implied. Maxim reserves the right to change the circuitry and specifications without notice at any time.

8 **Maxim Integrated Products, 120 San Gabriel Drive, Sunnyvale, CA 94086 408-737-7600**

Mouser Electronics

Authorized Distributor

Click to View Pricing, Inventory, Delivery & Lifecycle Information:

Maxim Integrated:

[MAX889RESA+](#) [MAX889SESA+](#) [MAX889TESA+](#) [MAX889RESA+T](#) [MAX889SESA+T](#) [MAX889TESA+T](#)
[MAX889RESA](#) [MAX889RESA-T](#) [MAX889SESA-T](#) [MAX889TESA](#) [MAX889TESA-T](#) [MAX889SESA](#)