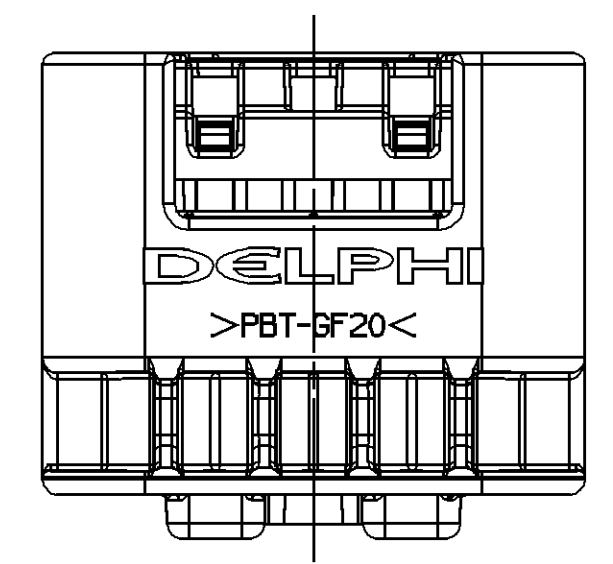
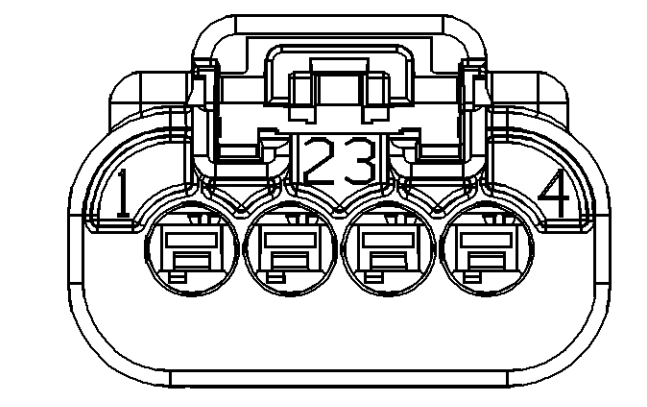
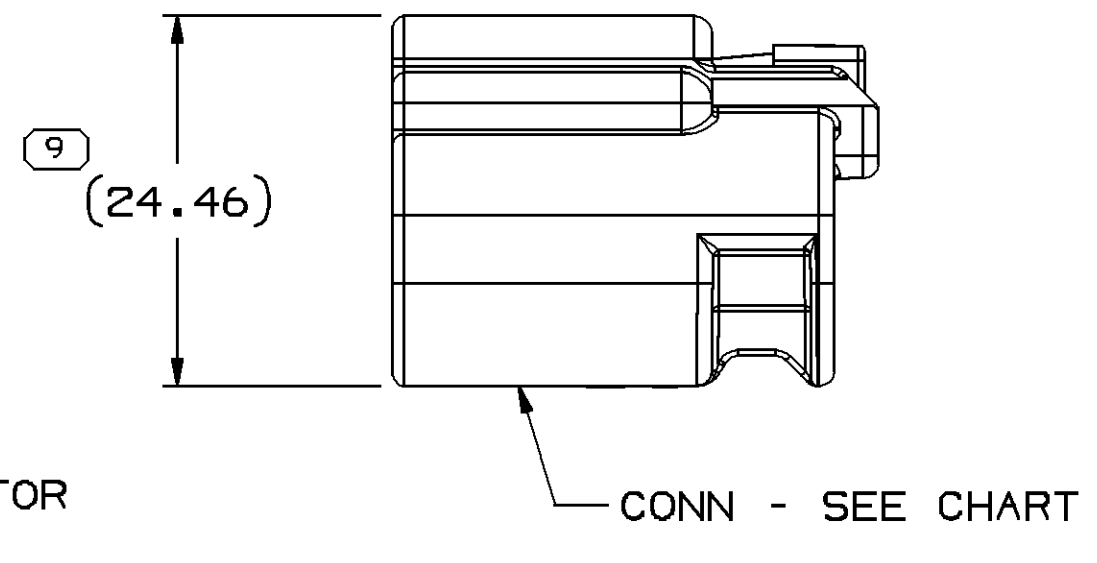
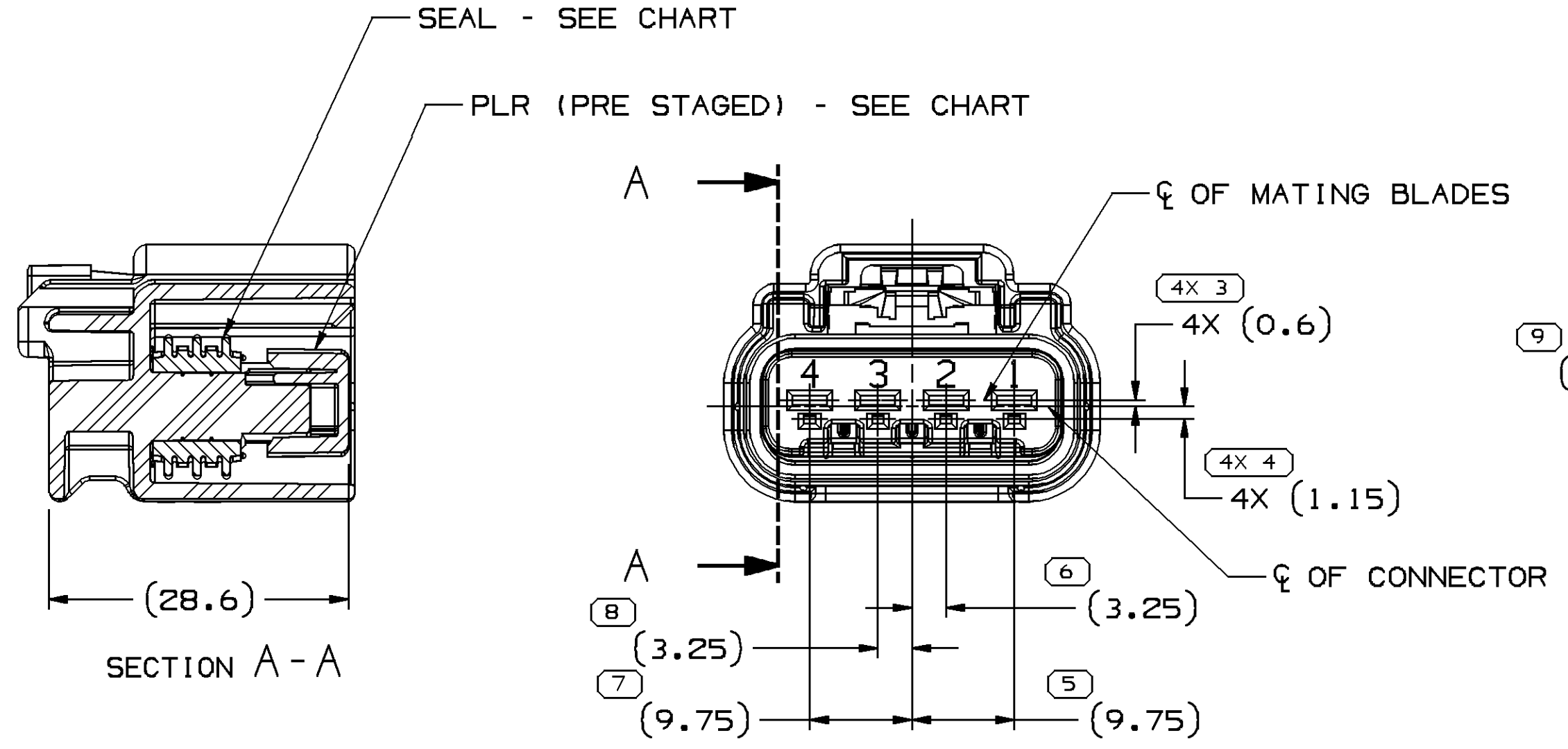
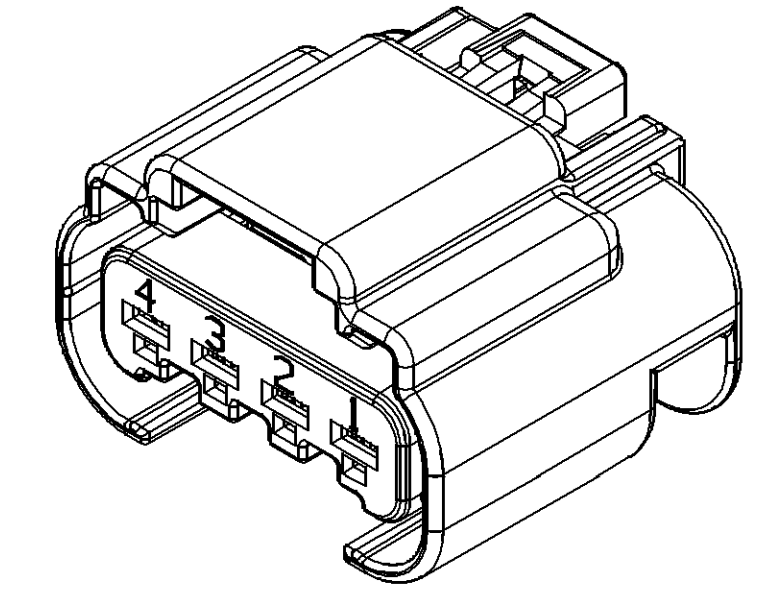
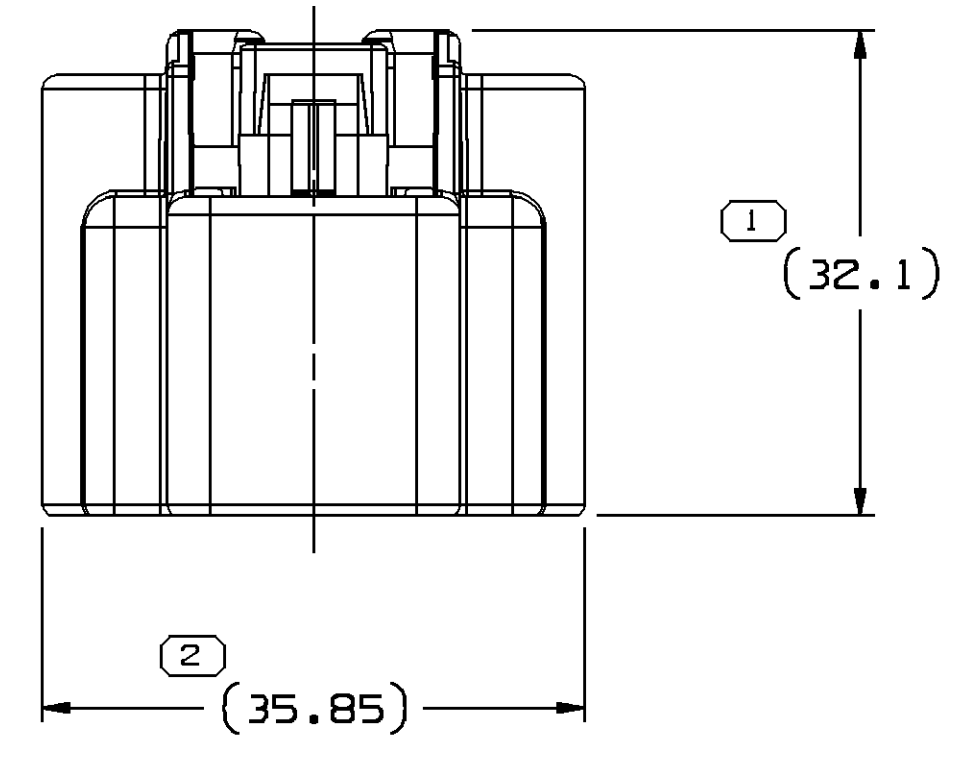


SYMBOL DEFINITION		MISSING SYMBOLS	
A DIMENSION WITHOUT AN INSPECTION REPORT SYMBOL () DOES NOT REQUIRE INSPECTION. IT MAY BE CONTROLLED ON THE INDIVIDUAL COMPONENT DRAWING.	TOTAL NO OF INSPECTIONS REQUIRED	NO MISSING SYMBOL NUMBER	
	15		
	LAST NO. USED		
	9		

DWG STATUS					REVISION HISTORY				AUTH		DR		APVD	
DATE	STG	REV	N/P	CHG										
050C05	R	01	-	-	WAS PE143560 AND RELEASED				273164	CCV	AUG	MJD		
22DE05	R	02	-	-	UPDATED CONNECTOR				275501	RMG	JAA	MJD		
24FE06	R	02	AA	-	ADDED NOTE 5				277238	CJP	CJP	MJD		
17MY06	R	03	-	-	SEAL 13580347 WAS 13527863, AND REVISED NOTE 4				280453	MLM	MLM	MJD		
22MR07	R	03	AA	-	UPDATED PDM ATTRIBUTES				400918	EF5	JAA	GGI		



NOTES

- UNLESS OTHERWISE SPECIFIED AND/OR INDICATED:
DIMENSIONS ARE TO FACE OF VIEW SHOWN AND AUTOMATICALLY ROUNDED BY COMPUTER FOR INSPECTION (SEE MATH MODEL FOR PRECISE DIMENSIONS). FOR ALL OTHER DIMENSIONS NOT SHOWN BUT REQUIRED FOR TOOL BUILD, SEE MATH MODEL FOR PRECISE TOOL PATH DATA.
- SEALING CODE 4 - DESIGN WILL MEET REQUIREMENTS OF SAE/USCAR-2 CONNECTOR SYSTEM ENVIRONMENTAL TEST FLOWCHART (PRESSURE/VACUUM AND SUBMERSION).
- THIS PART ACCEPTS THE FOLLOWING COMPONENTS OR EQUIVALENT:
TERMINAL - 15304719
CABLE SEAL - 15366066
CPA - 15317832
- FOR MATING CONFIGURATION REQUIREMENTS SEE PART NUMBER 13527866.
- MINIMUM TERMINAL TO CONNECTOR ENGAGE FORCE WITH PLR SEATED DOUBLE MAXIMUM TERMINAL TO CONNECTOR ENGAGE FORCE WITH PLR FULLY SEATED.

(N/A) PROCESS SENSITIVE DIMENSION	
DIMENSIONS ENCLOSED IN () INDICATE REFERENCE DIMENSIONS AND NO TOLERANCE LIMITS ARE ESTABLISHED	
TOLERANCE UNLESS OTHERWISE SPECIFIED	
±0.15	±0.2
±0.3	±0.4
±0.5	±0.6
±0.8	±1
±1.2	±1.2
ANGULAR TOLERANCE ±2°	

DWG TYPE PART DRAWING	
STYLE	
VOLUME (C/P)	DISTR CODE D
UNLESS OTHERWISE SPECIFIED THIS DOCUMENT IS IN ACCORDANCE WITH ASME Y14.5M-1994 AS AMENDED BY THE 94 GLOBAL DIMENSIONING AND TOLERANCING ADDENDUM-2001. SEPARATE PATTERNS OF FEATURES MAY BE GAGED SEPARATELY REGARDLESS OF DATUM REFERENCES.	
ALL DIMENSIONS ARE IN MILLIMETERS	
REFERENCE	
THIRD ANGLE PROJECTION	DO NOT SCALE USE MATH DATA
UNIGRAPHICS	

DELPHI
DELPHI PACKARD ELECTRIC SYSTEMS
WARREN, OH

DR	DATE
APVD1 CESAR CERVANTES	050C05
APVD2 ARNULFO UGALDE	070C05
APVD3 M. DEMONICA	100C05
APVD4	
APVD5	

SUBSTANCES OF CONCERN AND RECYCLED CONTENT PER DELPHI 10945001

MATERIAL SEE DRAWING

DRAWING NAME
ASM CONN 4 F 0T 280 NAT SLD

DRAWING NUMBER
13527865

SIZE	SCALE	FRAME NO	SHEET NO	STG	REV	N/P
A1	2:1	1 OF 1	1 OF 1	R	03	AA

13527865	13580347	13527864	13527862
PART NO	SEAL	PLR	CONN

Mouser Electronics

Authorized Distributor

Click to View Pricing, Inventory, Delivery & Lifecycle Information:

[Aptiv:](#)

[13527865](#)