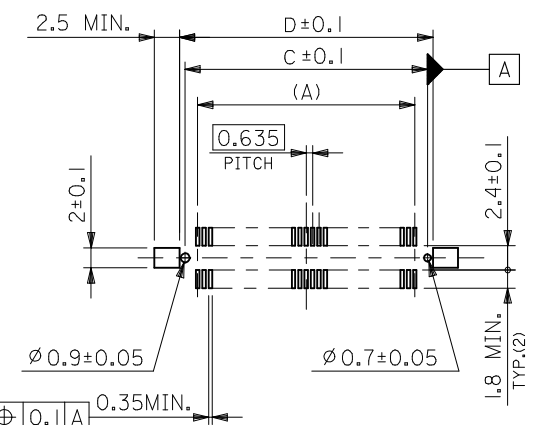
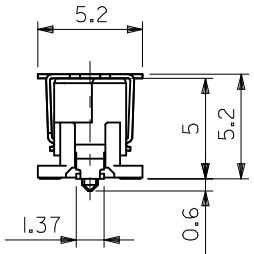
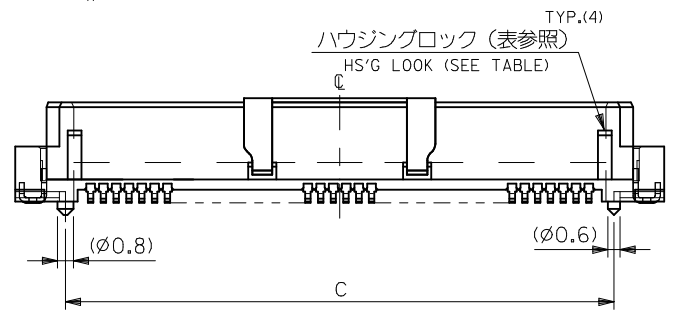


半田付け部詳細図  
DETAIL FOR SOLDERING AREA



推奨基板寸法  
RECOMMENDED PCB PATTERN LAYOUT



注) NOTES

- 材質 MATERIAL  
ハウジング : ガラス入りLCP、黒色、UL94V-0  
HOUSING: LIQUID CRYSTAL POLYMER (LCP), GLASS FILLED, BLACK, UL94V-0  
ターミナル : 銅合金 (t=0.2)  
TERMINAL: COPPER ALLOY  
吸着カバー : ステンレス (t=0.2)  
VACUUM COVER: STAINLESS STEEL  
補強金具 : 銅合金 (t=0.25)  
FITTING NAIL: COPPER ALLOY
- メッキ仕様 PLATING  
ターミナル : 接点部 : 金メッキ 0.25 マイクロメートル以上。  
TERMINAL CONTACT AREA : GOLD 0.25 MICROMETER MINIMUM.  
半田付け部 : 錫メッキ 1.0 マイクロメートル以上。  
SOLDER TAIL AREA : TIN 1.0 MICROMETER MINIMUM.  
下地メッキ : ニッケルメッキ 1.5 マイクロメートル以上。  
UNDER-PLATING : NICKEL 1.5 MICROMETER MINIMUM.  
補強金具 : 錫メッキ 1.0 マイクロメートル以上。  
FITTING NAIL TIN 1.0 MICROMETER MINIMUM.  
下地メッキ : ニッケルメッキ 1.0 マイクロメートル以上。  
UNDER-PLATING: NICKEL 1.0 MICROMETER MINIMUM.
- テールのバラツキ寸法 TAIL COPLANARITY  
テール及び金具の平坦度は、0.1以下とする。  
TAIL AND FITTING NAIL COPLANARITY TO BE 0.1 MAXIMUM.
- エンボス対応済みの種数については、SD-55091-007を参照下さい。  
FOR THE EMBOSSED PACKAGE PRODUCTS, SEE SD-55091-007.
- 本製品は55091-\*\*\*2の鉛フリー品である。  
THIS PRODUCT IS LEAD FREE OF 55091-\*\*\*2.

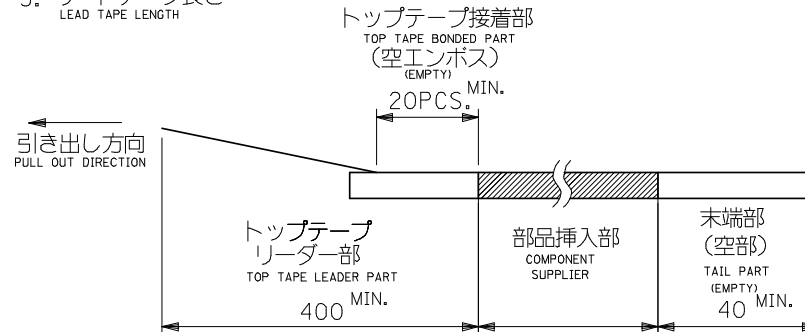
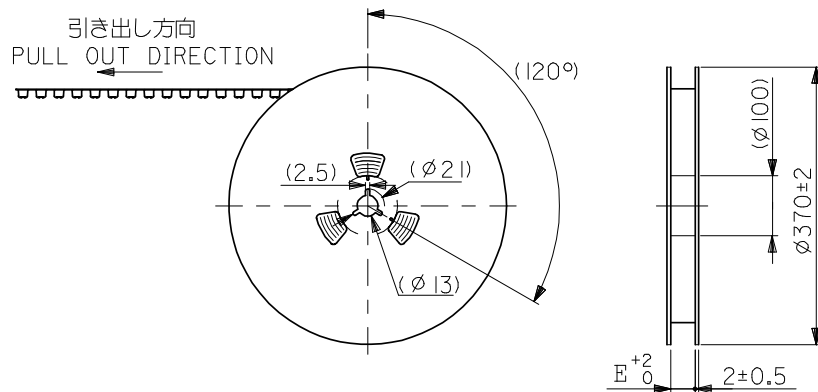
無し NO	79.17	78.07	83.07	75.565	—	—	55091-2472	240	○
	66.47	65.37	70.37	62.865	—	55091-2075	-2072	200	○
	60.12	59.02	64.02	56.515	—	—	-1872	180	○
	53.77	52.67	57.67	50.165	55091-1674	—	-1672	160	○
	47.42	46.32	51.32	43.815	55091-1474	—	-1472	140	○
	41.07	39.97	44.97	37.465	55091-1274	—	-1272	120	○
	34.72	33.62	38.62	31.115	55091-1074	—	-1072	100	○
	31.55	30.45	35.45	27.94	55091-0974	—	-0972	90	○
	28.37	27.27	32.27	24.765	55091-0874	—	-0872	80	○
	25.2	24.1	29.1	21.59	55091-0774	—	-0772	70	○
有り YES	24.56	23.46	28.46	20.955	—	—	-6872	68	○
	22.02	20.92	25.92	18.415	55091-0674	—	-0672	60	○
	18.85	17.75	22.75	15.24	55091-0574	—	-0572	50	○
	15.67	14.57	19.57	12.065	55091-0474	—	-0472	40	○
	12.5	11.4	16.4	8.89	55091-0374	—	-0372	30	○
9.32	8.22	13.22	5.715	55091-0274	—	—	55091-0272	20	○
ハウジングロック HS'G LOCK	D	C	B	A	エンボス梱包 EMBOSSED PACKAGING	スティック梱包 STICK PACKAGING	製品番号 MATERIAL NO.	種数 CKT. NO.	標準対応 AVAILABLE
ORDER No. オーダー番号									

REVISED EC NO.: J2017-0317 DRWN: GES CHKD: APPR: MSASAO	DESCRIPTION 2017/02/22 2017/03/15	GENERAL TOLERANCES (UNLESS SPECIFIED)		DIMENSION STYLE		SCALE	DESIGN UNITS		THIRD ANGLE PROJECTION	
				MM ONLY		---	METRIC		◎	
0.25 UNDER ±0.03		0.25 OVER 0.5 UNDER ±0.05		DRAWN BY H. KAWABATA		DATE '04/03/05		TITLE		
0.5 OVER 0 UNDER ±0.1		0 OVER 10 UNDER ±0.2		CHECKED BY K. TOJO		DATE '04/03/05		0.635 PITCH B-T0-B PLUG HS'G COVER ASS'Y -LEAD FREE- <b>molex</b>		
10 OVER 30 UNDER ±0.25		30 OVER ±0.3		APPROVED BY M. SASAO		DATE '04/03/05				
ANGULAR ±3 °		DRAFT WHERE APPLICABLE MUST REMAIN WITHIN DIMENSIONS		MATERIAL NO.		DOCUMENT NO.		SHEET NO.		
				SEE TABLE		SD-55091-006		1 OF 1		
THIS DRAWING CONTAINS INFORMATION THAT IS PROPRIETARY TO MOLEX ELECTRONIC TECHNOLOGIES, LLC AND SHOULD NOT BE USED WITHOUT WRITTEN PERMISSION										

注)

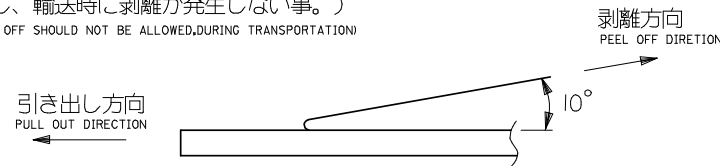
NOTES

- 製品番号 55091-\*\*\*72 の詳細寸法については、SD-55091-006 を参照下さい。  
IN THE PACKAGE , PART NO. 55901-\*\*\*72 DETAILED DIMENSIONS , SEE SD-55091-006.
- 梱包数量 : 1000 個/リール  
NUMBER OF CONNECTORS : 1000 PCS/REEL
- リードテープ長さ  
LEAD TAPE LENGTH



- トップテープの剥離強度: (剥離方向は下図参照)  
PEELING OFF FORCE OF TOP TAPE (PEELING DIRECTION AS SHOWN IN FOLLOWING FIG.)  
0.1~1.3N {10~130gf}

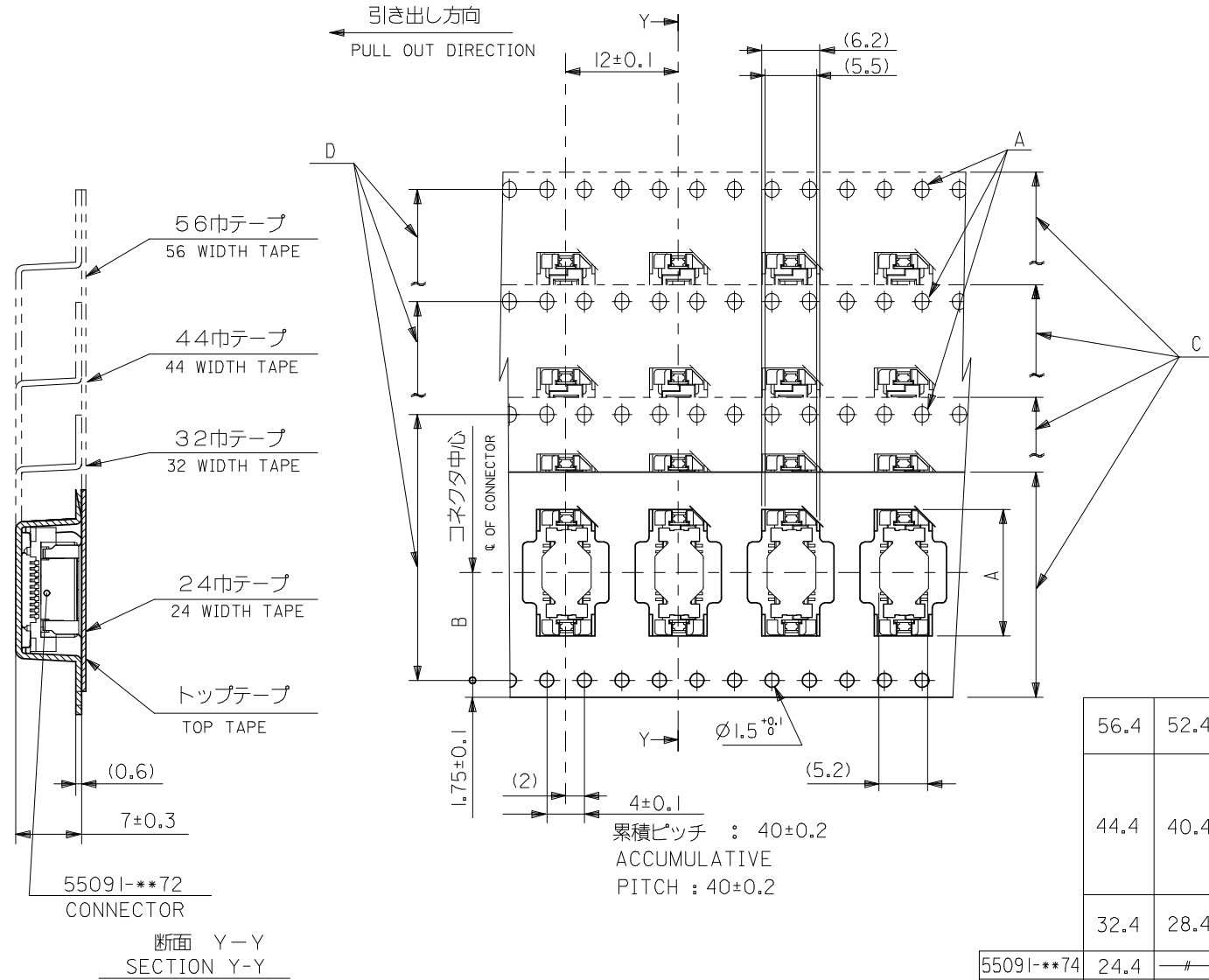
尚、本規格値は、出荷時に適用。  
THIS REQUIREMENT SHOULD BE APPLIED AT SHIPMENT  
(但し、輸送時に剥離が発生しない事。)  
(PEEL OFF SHOULD NOT BE ALLOWED, DURING TRANSPORTATION)



- 材料  
MATERIAL  
キャリアテープ : ポリプロピレン (PP)  
CARRIER TAPE : POLYPROPYLENE (PP)  
トップテープ : PET, PE, PEF  
TOP TAPE : PET, PE, PEF  
リール : 紙  
REEL : CARD BOARD
- 本製品は55091-\*\*\*4の鉛フリー品である。  
THIS PRODUCT IS LEAD FREE OF 55091-\*\*\*4.

MODEL NO. 55091-\*\*\*74

REVISED EC NO: J2009-0365 DRAWN: NABEI 2008/08/06 CHKD: THARUYAMA 2008/08/07 APPR: NUKITA 2008/08/07	GENERAL TOLERANCES (UNLESS SPECIFIED)		DIMENSION STYLE MM ONLY		SCALE ---	DESIGN UNITS METRIC	THIRD ANGLE PROJECTION	
	10 UNDER	±0.2	DRAWN BY KAWABATA	DATE '04/03/05	TITLE 55091-***72 TAPING PACKAGE -LEAD FREE-			
	10 OVER 30 UNDER	±0.25	CHECKED BY KTOJO	DATE '04/03/05				
	30 OVER	±0.3	APPROVED BY MSASAO	DATE '04/03/05	MOLEX INCORPORATED			
	ANGULAR ±3°		MATERIAL NO.	DOCUMENT NO.	SHEET NO.			
DRAFT WHERE APPLICABLE MUST REMAIN WITHIN DIMENSIONS		SEE SHEET 2,3		SD-55091-007		1 OF 3		
SIZE A3 THIS DRAWING CONTAINS INFORMATION THAT IS PROPRIETARY TO MOLEX INCORPORATED AND SHOULD NOT BE USED WITHOUT WRITTEN PERMISSION								

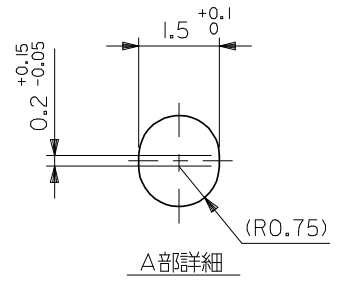


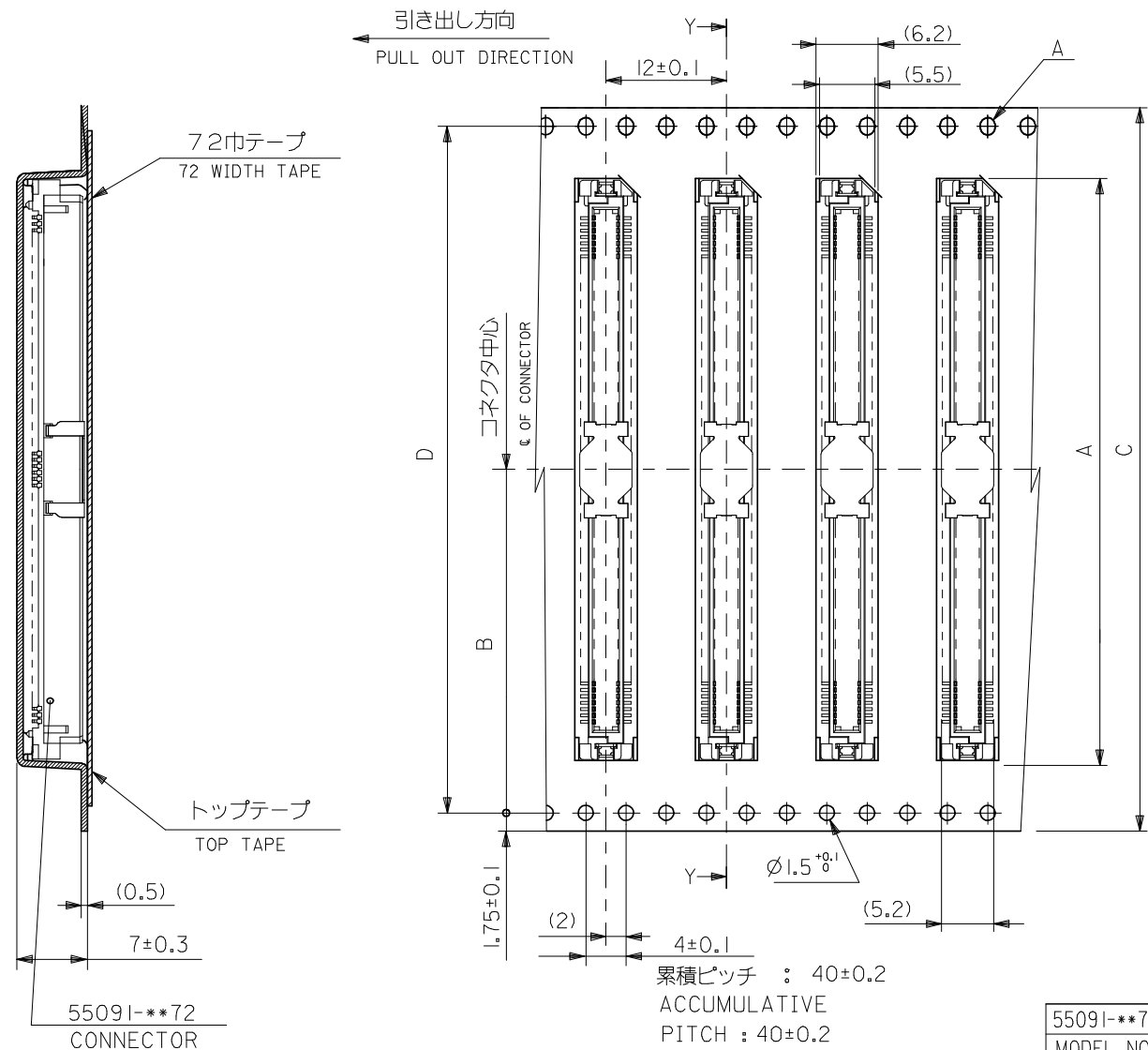
累積ピッチ : 40±0.2  
ACCUMULATIVE PITCH : 40±0.2

56.4	52.4	56 <sup>+0.3</sup>	26.2	38.9	55091-1074	100	○
				35.8	-0974	90	○
				32.6	-0874	80	○
				29.4	-0774	70	○
44.4	40.4	44 <sup>+0.3</sup>	20.2	28.8	-6874	68	-
				26.2	-0674	60	○
				23.1	-0574	50	○
				19.9	-0474	40	○
				16.7	-0374	30	○
32.4	28.4	32 <sup>+0.3</sup>	14.2				
				13.5	55091-0274	20	○

55091-***74	24.4	—#—	24 <sup>+0.3</sup>	11.5	13.5	55091-0274	20	○
MODEL NO	E	D	C	B	A	MATERIAL NO.	種数	量産対応
			キャリアテープ幅				NO. OF CKTS.	AVAILABLE

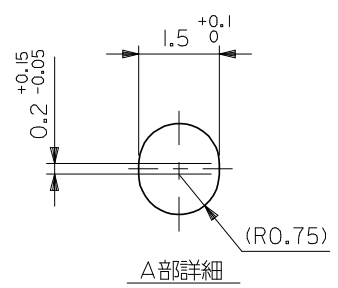
REVISED EC NO: J2009-0365 DRW: MNABEI 2008/08/06 CHK: D: THARUYAMA 2008/08/07 APPR: NUKITA 2008/08/07	GENERAL TOLERANCES (UNLESS SPECIFIED)		DIMENSION STYLE MM ONLY		SCALE ---	DESIGN UNITS METRIC	THIRD ANGLE PROJECTION	
	10 UNDER	±0.2	DRAWN BY KAWABATA		DATE '04/03/05		TITLE 55091-***72 TAPING PACKAGE -LEAD FREE-	
	10 OVER 30 UNDER	±0.25	CHECKED BY KTOJO		DATE '04/03/05		MOLEX INCORPORATED	
	30 OVER	±0.3	APPROVED BY MSASAO		DATE '04/03/05		DOCUMENT NO. SD-55091-007	
	ANGULAR	±3°	MATERIAL NO. SEE TABLE		DOCUMENT NO. SD-55091-007		SHEET NO. 2 OF 3	
DRAFT WHERE APPLICABLE MUST REMAIN WITHIN DIMENSIONS			SIZE A3		THIS DRAWING CONTAINS INFORMATION THAT IS PROPRIETARY TO MOLEX INCORPORATED AND SHOULD NOT BE USED WITHOUT WRITTEN PERMISSION			





55091-\*\*72  
CONNECTOR

断面 Y-Y  
SECTION Y-Y



累積ピッチ : 40±0.2  
ACCUMULATIVE  
PITCH : 40±0.2

55091-\*\*74  
MODEL NO.

72.4	68.4	72 <sup>±0.3</sup>	34.2	58.0	55091-1674	160	○
				51.6	55091-1474	140	○
				45.3	55091-1274	120	○
				(B)	(A)	MATERIAL NO.	極数 NO. OF CKTS. AVAILABLE

REVISED EC NO: J2009-0365 DRWN: WABEI CHKD: THARYAMA APPR: NUKITA	2008/08/06	2008/08/07	2008/08/07	DESCRIPTION GENERAL TOLERANCES (UNLESS SPECIFIED)
	10 UNDER		±0.2	
	10 OVER 30 UNDER		±0.25	
	30 OVER		±0.3	
	ANGULAR		±3°	
DRAFT WHERE APPLICABLE MUST REMAIN WITHIN DIMENSIONS				

DIMENSION STYLE MM ONLY		SCALE ---	DESIGN UNITS METRIC	THIRD ANGLE PROJECTION
DRAWN BY KAWABATA	DATE '04/03/05	TITLE 55091-**72 TAPING PACKAGE -LEAD FREE-		
CHECKED BY KTOJO	DATE '04/03/05	MOLEX INCORPORATED		
APPROVED BY MSASAO	DATE '04/03/05	MATERIAL NO.	DOCUMENT NO. SD-55091-007	SHEET NO. 3 OF 3
THIS DRAWING CONTAINS INFORMATION THAT IS PROPRIETARY TO MOLEX INCORPORATED AND SHOULD NOT BE USED WITHOUT WRITTEN PERMISSION				