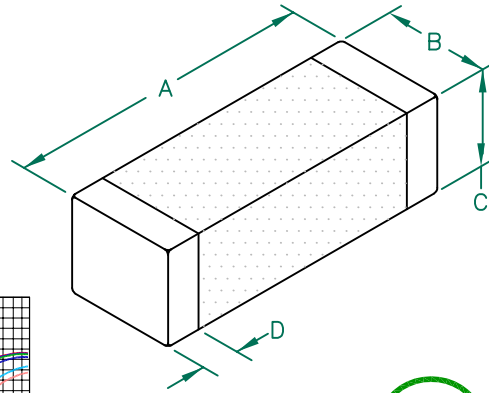


MI1806J800R-10

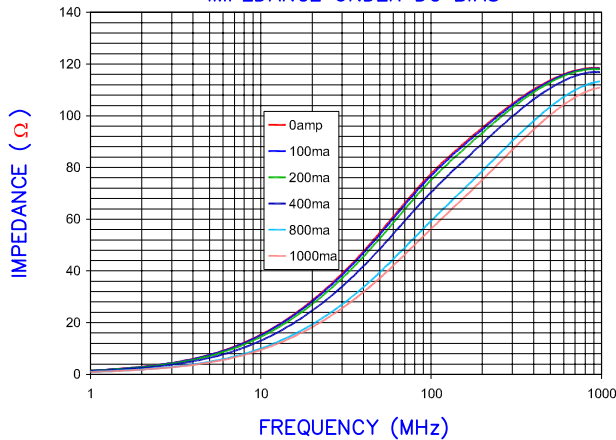
UNCONTROLLED DOCUMENT

PHYSICAL DIMENSIONS:

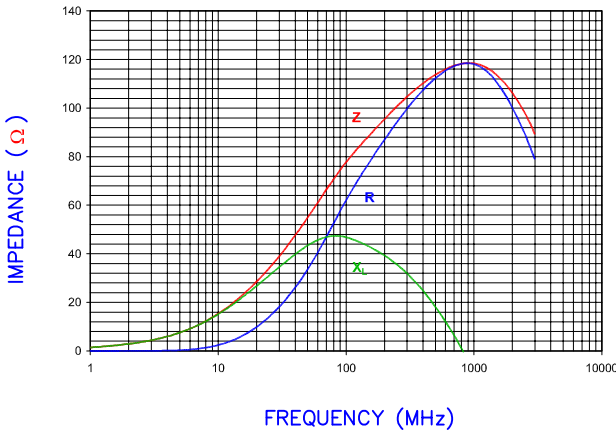
A	4.50 [.177]	+ 0.25 [.010]
B	1.60 [.063]	+ 0.25 [.010]
C	1.60 [.063]	+ 0.25 [.010]
D	0.51 [.020]	+ 0.25 [.010]



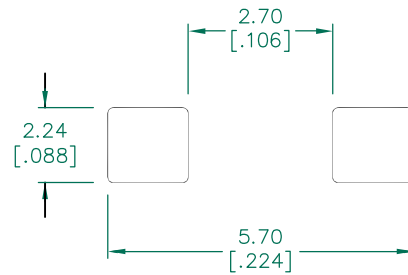
Z vs FREQUENCY
IMPEDANCE UNDER DC BIAS



|Z|, R, AND X vs. FREQUENCY



LAND PATTERNS FOR REFLOW SOLDERING



(For wave soldering, add 0.762 [.030] to this dimension.)

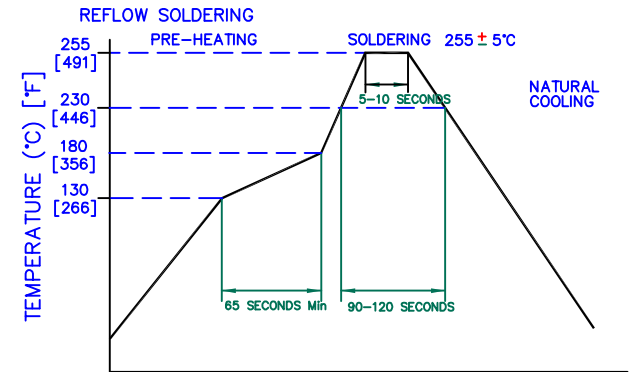
ELECTRICAL CHARACTERISTICS:

Z @ 100MHz (Ω)	DCR (Ω)	Rated Current
Nominal	80	
Minimum	60	
Maximum	100	0.030 1000 mA

NOTES: UNLESS OTHERWISE SPECIFIED

1. TAPED AND REELED per CURRENT EIA SPECIFICATIONS 7" REELS, 2,000 PCS/REEL.
2. TERMINATION FINISH IS 100% TIN.
3. COMPONENTS SHOULD BE ADEQUATELY PREHEATED BEFORE SOLDERING.
4. OPERATING TEMP. RANGE: -40°C~+125°C. (INCLUDING SELF-HEATING)

RECOMMENDED SOLDERING CONDITIONS



DIMENSIONS ARE IN mm [INCHES].				This print is the property of Laird Tech. and is loaned in confidence subject to return upon request and with the understanding that no copies shall be made without the written consent of Laird Tech. All rights to design or invention are reserved.			
D	ADD OPERATING TEMPERATURE UPDATE LAIRD LOGO AND REFLOW CURVE	08/05/13	QU	PROJECT/PART NUMBER: MI1806J800R-10		REV	D
C	CHG REEL QTY FROM 3K TO 2K	11/6/08	JRK	DATE:	04/20/04	SCALE:	NTS
B	UPDATE COMPANY LOGO ADD ROHS SYMBOL	09/04/08	JRK	CAD #		TITLE:	
A	ORIGINAL DRAFT	04/20/04	JRK	DATE:	04/20/04	SCALE:	NTS
REV	DESCRIPTION	DATE	INT	PART NUMBER: MI1806J800R-10-D		TOOL #	-
						SHEET:	2 of 2



Mouser Electronics

Authorized Distributor

Click to View Pricing, Inventory, Delivery & Lifecycle Information:

Laird:

[MI1806J800R-10](#)