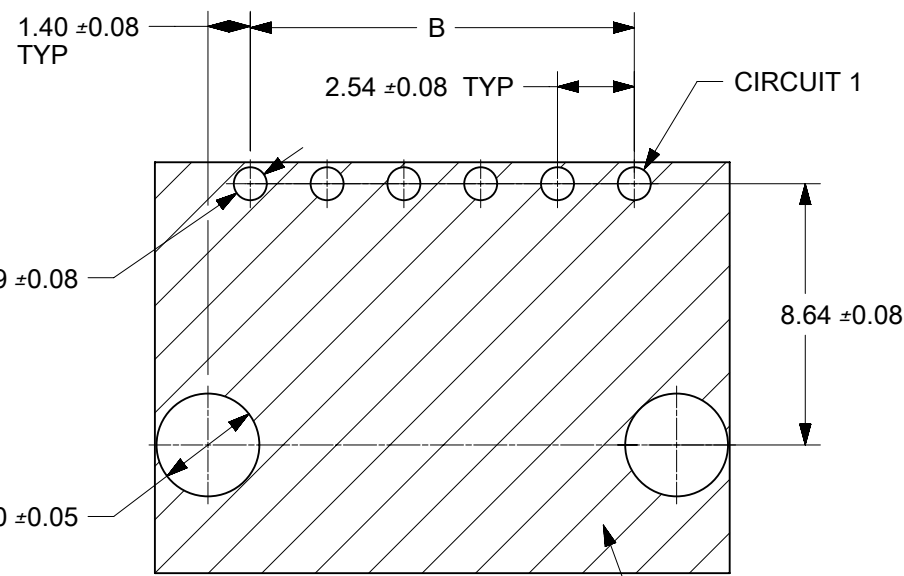


SECTION A-A

- NOTES:
- HOUSING MATERIAL: POLYESTER, UL94V-0, BLACK  
TERMINAL MATERIAL: PHOS BRONZE
  - FINISH:  
124: OVERALL BRIGHT TIN: 3.75 MICROMETERS MIN OVER NICKEL  
223: OVERALL MATTE TIN: 3.81 MICROMETERS MIN OVER NICKEL  
249: SELECT GOLD: 0.38 MICROMETERS MIN. IN CONTACT AREA WITH  
SELECT MATTE TIN: 1.90 MICROMETERS MIN IN PC TAIL AREA  
BOTH OVER NICKEL  
250: SELECT GOLD: 0.76 MICROMETERS MIN. IN CONTACT AREA WITH  
SELECT MATTE TIN: 1.90 MICROMETERS MIN IN PC TAIL AREA  
BOTH OVER NICKEL
  - PRODUCT SPECIFICATION: PS-70541
  - PACKAGING SPECIFICATION: SEE CHART
  - COSMETIC SPECIFICATION: PS-45499-002 CLASS B
  - SOLDERABILITY PER SMES-152 LEAD FREE ALLOY
  - THIS HEADER MATES WITH 70400 AND 70430 OPTION G SL CONNECTORS

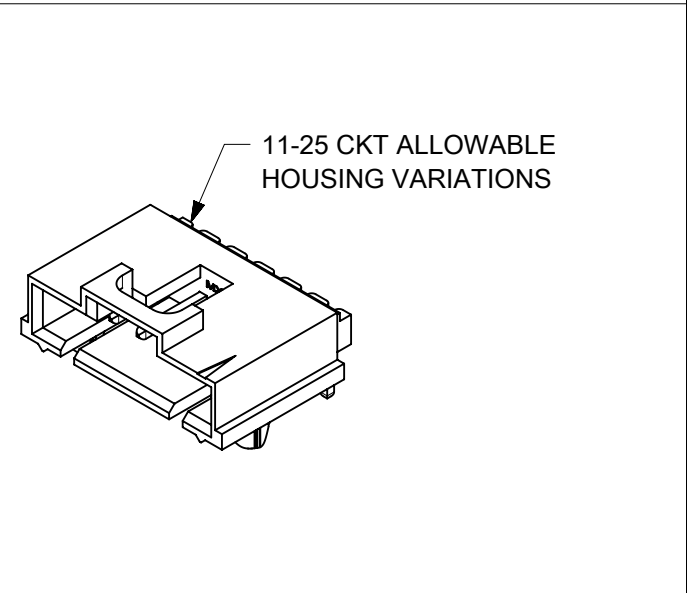
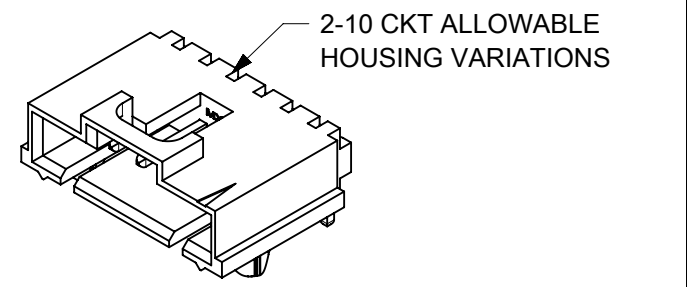
CKTS	DIM A	DIM B
2	7.37	2.54
3	10.17	5.08
4	12.71	7.62
5	15.25	10.16
6	17.79	12.70
7	20.33	15.24
8	22.87	17.78
9	25.41	20.32
10	27.95	22.86
11	30.49	25.40
12	33.03	27.94
13	35.57	30.48
14	38.11	33.02
15	40.65	35.56
16	43.19	38.10
17	45.73	40.64
18	48.27	43.18
19	50.81	45.72
20	53.35	48.26
21	55.89	50.80
22	58.43	53.34
23	60.97	55.88
24	63.51	58.42
25	66.05	60.96



PCB LAYOUT: COMPONENT SIDE  
RECOMMENDED PCB THICKNESS: 1.57


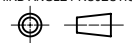
SYMBOLS		THIS DRAWING CONTAINS INFORMATION THAT IS PROPRIETARY TO MOLEX ELECTRONIC TECHNOLOGIES, LLC AND SHOULD NOT BE USED WITHOUT WRITTEN PERMISSION	
▽ = 0	DIMENSION UNITS	SCALE	CURRENT REV DESC:
▽ = 0	mm	4:1	
▽ = 0	GENERAL TOLERANCES (UNLESS SPECIFIED)		
▽ = 0	ANGULAR TOL	± °	
▽ = 0	4 PLACES	±	EC NO: 603253
▽ = 0	3 PLACES	±	DRWN: KSAMIEC 2018/02/14
▽ = 0	2 PLACES	± 0.15	CHK'D: DSTEIER 2018/08/24
▽ = 0	1 PLACE	± 0.25	APPR: FSMITH 2018/09/04
▽ = 0	0 PLACES	± 0.0	INITIAL REVISION:
▽ = 0	DRAFT WHERE APPLICABLE MUST REMAIN WITHIN DIMENSIONS		DRWN: KSAMIEC 2018/02/14
▽ = 0	THIRD ANGLE PROJECTION		APPR: FSMITH 2018/09/04
DRAWING		SERIES	DOCUMENT NUMBER
B-SIZE		70555	705550000-SD
MATERIAL NUMBER		CUSTOMER	DOC TYPE   DOC PART   REVISION
			PSD   000   A
SHEET NUMBER		1 OF 3	

PLATING CODE	124	249	250	223
PLATING	BRIGHT TIN	0.38 SELECT GOLD	0.76 SELECT GOLD	MATTE TIN
PACKAGING	PK-70873-0015	PK-70873-0015	PK-70873-0015	PK-70873-0015
CKT	MATERIAL NO	MATERIAL NO	MATERIAL NO	MATERIAL NO
2	70555-0001	70555-0036	70555-0071	70555-4001
3	70555-0002	70555-0037	70555-0072	70555-4002
4	70555-0003	70555-0038	70555-0073	70555-4003
5	70555-0004	70555-0039	70555-0074	70555-4004
6	70555-0005	70555-0040	70555-0075	70555-4005
7	70555-0006	70555-0041	70555-0076	70555-4006
8	70555-0007	70555-0042	70555-0077	70555-4007
9	70555-0008	70555-0043	70555-0078	70555-4008
10	70555-0009	70555-0044	70555-0079	70555-4009
11	70555-0010	70555-0045	70555-0080	70555-4010
12	70555-0011	70555-0046	70555-0081	70555-4011
13	70555-0012	70555-0047	70555-0082	70555-4012
14	70555-0013	70555-0048	70555-0083	70555-4013
15	70555-0014	70555-0049	70555-0084	70555-4014
16	70555-0015	70555-0050	70555-0085	70555-4015
17	70555-0016	70555-0051	70555-0086	70555-4016
18	70555-0017	70555-0052	70555-0087	70555-4017
19	70555-0018	70555-0053	70555-0088	70555-4018
20	70555-0019	70555-0054	70555-0089	70555-4019
21	70555-0020	70555-0055	70555-0090	70555-4020
22	70555-0021	70555-0056	70555-0091	70555-4021
23	70555-0022	70555-0057	70555-0092	70555-4022
24	70555-0023	70555-0058	70555-0093	70555-4023
25	70555-0024	70555-0059	70555-0094	70555-4024



SYMBOLS	THIS DRAWING CONTAINS INFORMATION THAT IS PROPRIETARY TO MOLEX ELECTRONIC TECHNOLOGIES, LLC AND SHOULD NOT BE USED WITHOUT WRITTEN PERMISSION		CURRENT REV DESC:						
	DIMENSION UNITS	SCALE						EC NO: 603253	SL PCT HEADER ASSY RTAN PEGS WAS SDA-70555-****
▽ = 0	mm	2:1	DRWN: KSAMIEC	2018/02/14	PRODUCT CUSTOMER DRAWING				
▽ = 0	GENERAL TOLERANCES (UNLESS SPECIFIED)		CHK'D: DSTEIER	2018/08/24					
▽ = 0	ANGULAR TOL ± °		APPR: FSMITH	2018/09/04	DOCUMENT NUMBER: 705550000-SD				
▽ = 0	4 PLACES ±		INITIAL REVISION:					DOC TYPE: PSD	DOC PART: 000
▽ = 0	3 PLACES ±		DRWN: KSAMIEC		2018/02/14	MATERIAL NUMBER: 70555			
▽ = 0	2 PLACES ± 0.15		APPR: FSMITH		2018/09/04				
▽ = 0	1 PLACE ± 0.25		DRAFT WHERE APPLICABLE MUST REMAIN WITHIN DIMENSIONS		THIRD ANGLE PROJECTION	DRAWING: B-SIZE	SERIES: 70555	CUSTOMER:	SHEET NUMBER: 2 OF 3
▽ = 0	0 PLACES ± 0.0								

MATERIAL NO	HOUSING SIZE	PLATING CODE	PLATING	PACKAGING	VOIDED CKTS
70555-5002	3	124	BRIGHT TIN	70873-0015	2

SYMBOLS	THIS DRAWING CONTAINS INFORMATION THAT IS PROPRIETARY TO MOLEX ELECTRONIC TECHNOLOGIES, LLC AND SHOULD NOT BE USED WITHOUT WRITTEN PERMISSION											
	DIMENSION UNITS		SCALE		CURRENT REV DESC:							
	mm		1:1									
	GENERAL TOLERANCES (UNLESS SPECIFIED)		EC NO: 603253 DRWN: KSAMIEC 2018/02/14 CHK'D: DSTEIER 2018/08/24 APPR: FSMITH 2018/09/04					SL PCT HEADER ASSY RTAN PEGS WAS SDA-70555-****				
	ANGULAR TOL ± °											
	▽ = 0	4 PLACES ±	INITIAL REVISION: DRWN: KSAMIEC 2018/02/14 APPR: FSMITH 2018/09/04					DOCUMENT NUMBER	DOC TYPE	DOC PART	REVISION	
	▽ = 0	3 PLACES ±						705550000-SD			PSD	000
	▽ = 0	2 PLACES ± 0.15	DRAFT WHERE APPLICABLE MUST REMAIN WITHIN DIMENSIONS					MATERIAL NUMBER		CUSTOMER		SHEET NUMBER
	▽ = 0	1 PLACE ± 0.25						B-SIZE		70555		
	▽ = 0	0 PLACES ± 0.0	THIRD ANGLE PROJECTION		DRAWING	SERIES						
▽ = 0				B-SIZE	70555							

DOCUMENT STATUS	P1	RELEASE DATE	2018/09/04	20:30:34
-----------------	----	--------------	------------	----------