

### PROTECTION PRODUCTS

#### Description

The SDC36 is a high-surge transient voltage suppressor (TVS) optimized for protection of sensitive digital sensors used in proximity switches and industrial control applications. The SDC36 protects the components from over-voltages caused by **electrostatic discharge (ESD)**, **electrical fast transients (EFT)**, and tertiary **lightning**.

The unique design of the SDC36 incorporates two TVS diodes in a compact SOT23 package for applications where board space is at a premium. The single package provides protection for the I/O line and power supply rail with high surge capabilities (2 Amps at  $t_p=1.2/50\mu s$ ) and an exceptionally low clamping voltage of <45V.

The SDC36 replaces up to two large discrete diodes providing the designer an easy to implement integrated solution. The features of the SDC36 are ideal for protection of two, three, and four wire DC high-side proximity switches.

#### Features

- ◆ 350 watts peak pulse power ( $t_p = 8/20\mu s$ )
- ◆ Transient protection for data and power lines to **IEC 61000-4-2 (ESD)  $\pm 15kV$  (air),  $\pm 8kV$  (contact)**  
**IEC 61000-4-4 (EFT) 40A (5/50ns)**  
**IEC 61000-4-5 (Lightning) 2A (1.2/50 $\mu s$ )**
- ◆ Replaces two discrete devices
- ◆ Low clamping voltage
- ◆ Low leakage current
- ◆ High surge capability
- ◆ Solid-state silicon avalanche technology

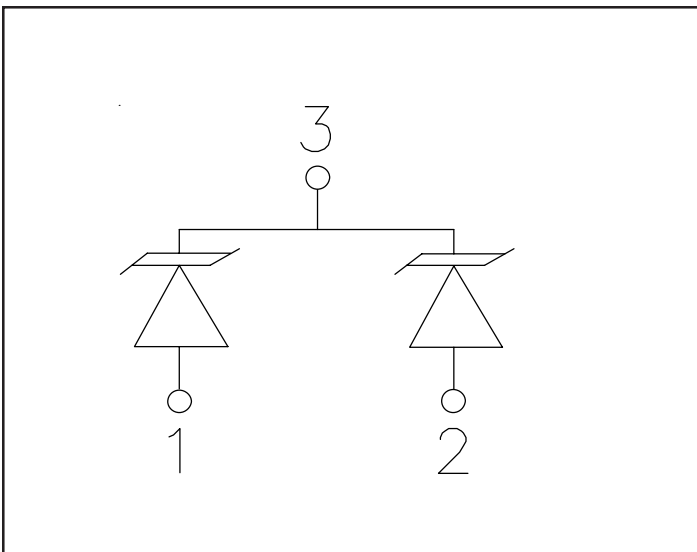
#### Mechanical Characteristics

- ◆ JEDEC SOT23 package
- ◆ Molding compound flammability rating: UL 94V-0
- ◆ Marking : DC36
- ◆ Packaging : Tape and Reel per EIA 481

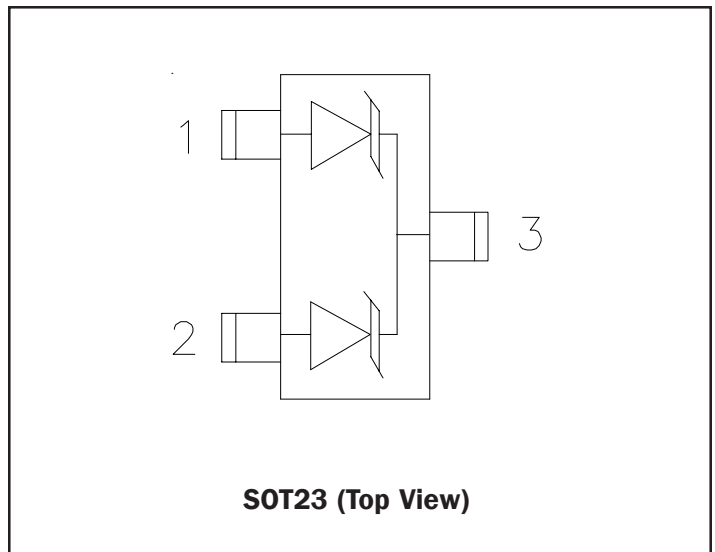
#### Applications

- ◆ Two, Three, and Four Wire DC High-Side Proximity Switches
- ◆ Digital Sensor Input Protection
- ◆ Industrial Controls
- ◆ 24V - 33V DC Supply Protection

#### Circuit Diagram



#### Schematic & PIN Configuration



**PROTECTION PRODUCTS**
**Absolute Maximum Rating**

Rating	Symbol	Value	Units
Peak Pulse Power ( $t_p = 8/20\mu s$ )	$P_{pk}$	350	Watts
Peak Pulse Power ( $t_p = 1.2/50\mu s$ )	$P_{pk}$	200	Watts
Peak Pulse Current ( $t_p = 1.2/50\mu s$ )	$I_{pp}$	4	A
Non-Repetitive Peak Forward Current ( $t_p=100\mu s$ )	$I_{FSMAX}$	4	A
Lead Soldering Temperature	$T_L$	260 (10 sec.)	°C
Operating Temperature	$T_J$	-55 to +125	°C
Storage Temperature	$T_{STG}$	-55 to +150	°C

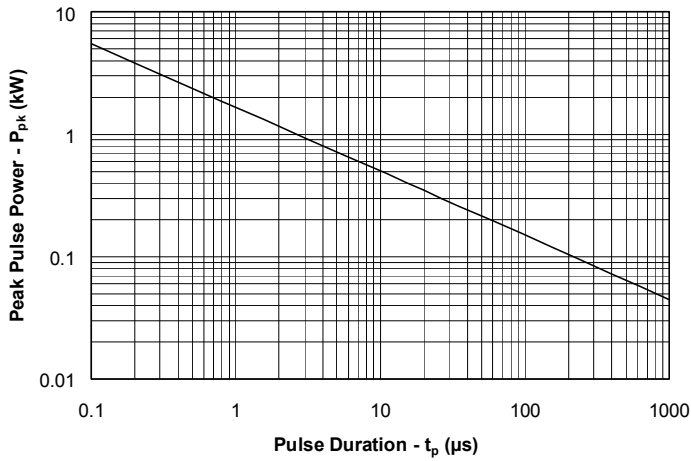
**Electrical Characteristics**

SDC36						
Parameter	Symbol	Conditions	Minimum	Typical	Maximum	Units
Reverse Stand-Off Voltage	$V_{RWM}$	Pin 3 to 1 or Pin 2 to 1			33	V
Reverse Breakdown Voltage	$V_{BR}$	$I_t = 1mA$	36			V
Reverse Leakage Current	$I_R$	$V_{RWM} = 33V, T=25^\circ C$			5	$\mu A$
Reverse Leakage Current	$I_{R(HOT)}$	$V_{RWM} = 33V, T=85^\circ C$			25	$\mu A$
Forward Voltage	$V_F$	$I_F = 100mA$			1.3	V
Clamping Voltage	$V_C$	$I_{pp} = 2A,$ $t_p = 1.2/50\mu s$			45	V
Junction Capacitance	$C_J$	$V_R = 0V, f = 1MHz$			45	pF

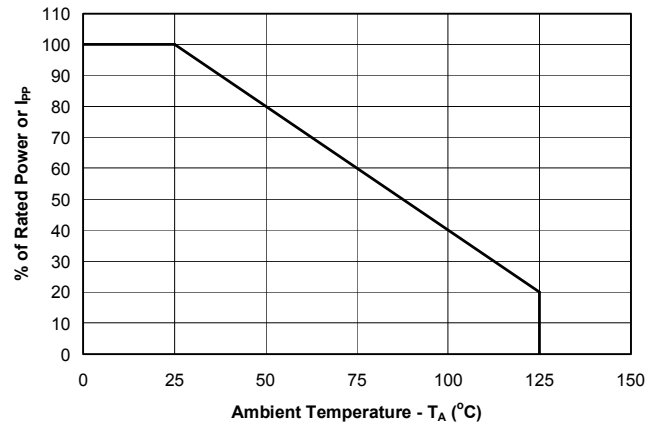
PROTECTION PRODUCTS

Typical Characteristics

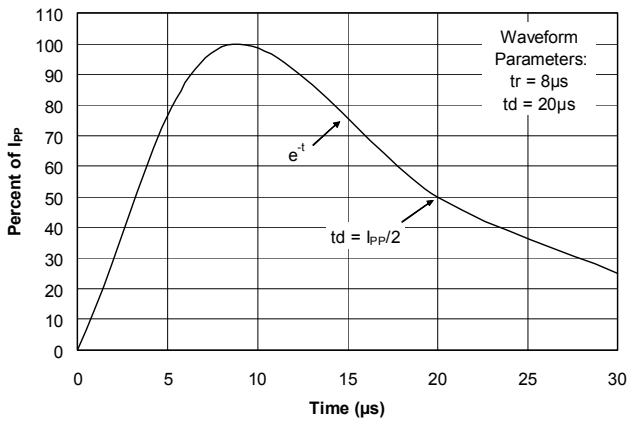
Non-Repetitive Peak Pulse Power vs. Pulse Time



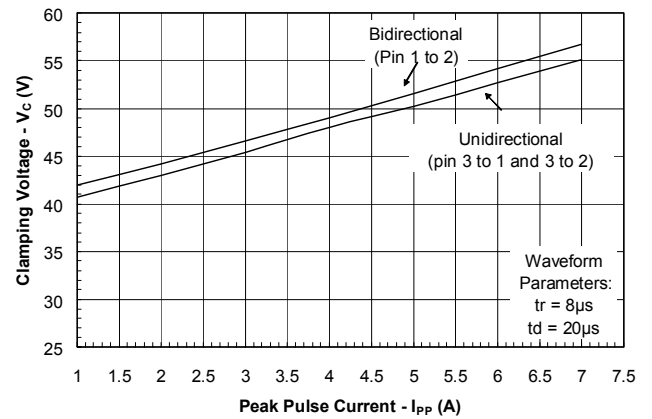
Power Derating Curve



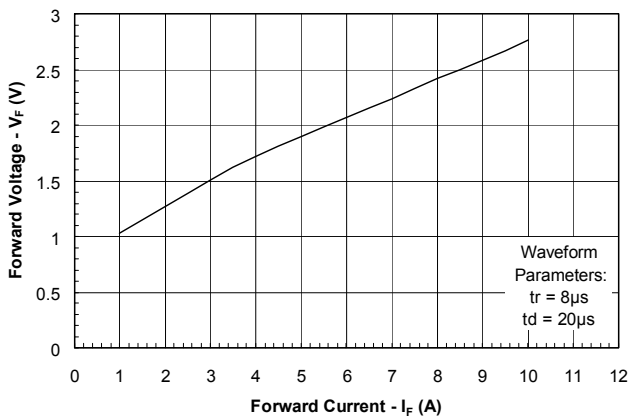
Pulse Waveform



Clamping Voltage vs. Peak Pulse Current



Forward Voltage vs. Forward Current



PROTECTION PRODUCTS

Applications Information

**Device Connection for Protection of Two, Three, and Four Wire Proximity Switches**

Digital sensors help to bridge the gap between the physical world and the digital world in applications such as computer controlled factory automation. In such environments, transient voltages can easily disrupt or damage sensitive sensor inputs. The SDC36 provides transient voltage protection for the digital sensors to ensure their operation is not disrupted by the physical world.

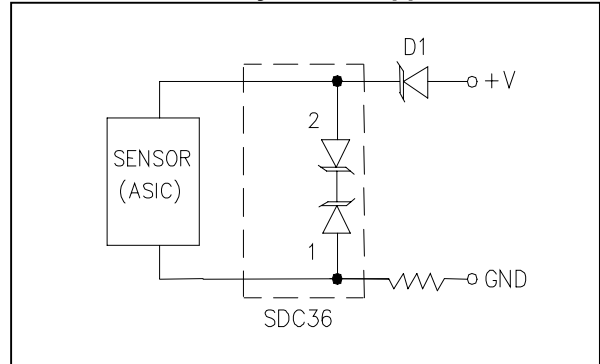
The SDC36 is designed to meet the high surge capability and low clamping voltage needed to protect the ASIC and control logic used in proximity switches. The SDC36 provides protection for the power and I/O lines. Typical configurations for the protection of two, three, and four wire switches are as follows:

**1. Two-Wire Switch:** Connect pin 1 to the I/O line and pin 2 to the DC supply (since the device is symmetrical, these connections can be reversed). Pin 3 is not connected.

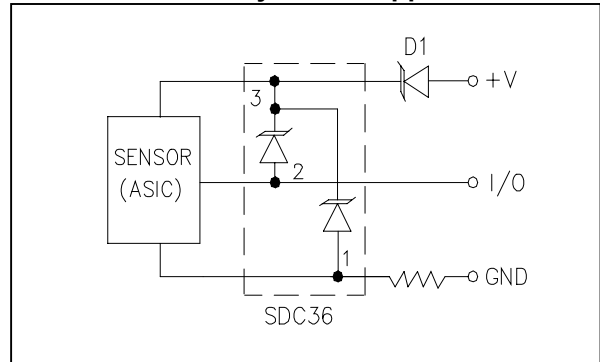
**2. Three-Wire Switch:** Either pin 1 or pin 2 is connected to the I/O line with the other connected to ground. Pin 3 must be connected to the DC supply.

**3. Four-Wire Switch:** Two devices are required to protect four wire switches. Pin 3 of each device is connected to the DC supply line. Pins 1 and 2 are connected to the I/O lines and ground as shown.

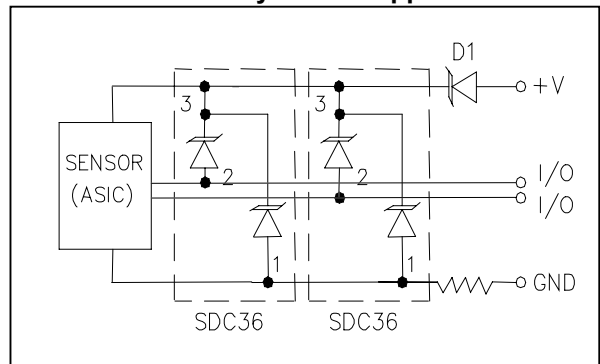
**2-Wire DC Proximity Switch Application**



**3-Wire DC Proximity Switch Application**

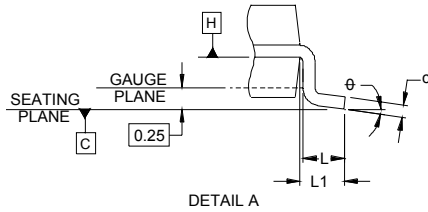
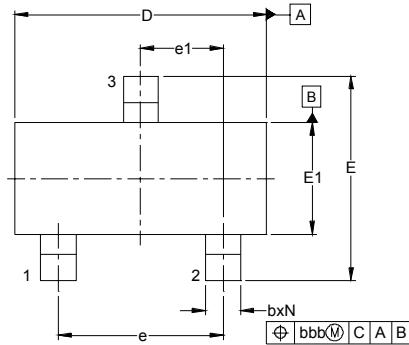


**4-Wire DC Proximity Switch Application**

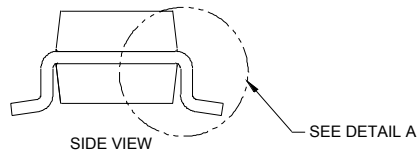
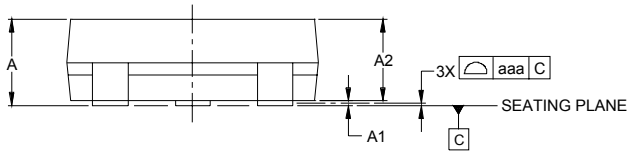


PROTECTION PRODUCTS

Outline Drawing - SOT23



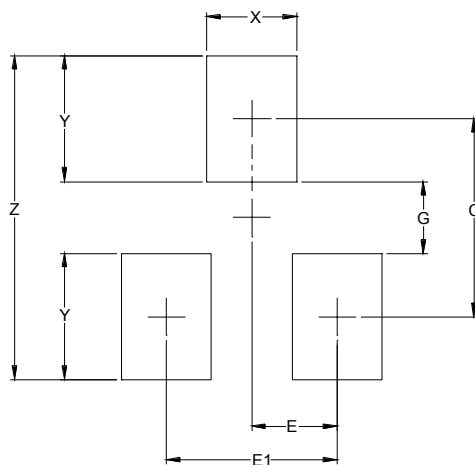
DIM	INCHES			MILLIMETERS		
	MIN	NOM	MAX	MIN	NOM	MAX
A	.035	-	.044	0.89	-	1.12
A1	.000	-	.004	0.01	-	0.10
A2	.035	.037	.040	0.88	0.95	1.02
b	.012	-	.020	0.30	-	0.51
c	.003	-	.007	0.08	-	0.18
D	.110	.114	.120	2.80	2.90	3.04
E	.082	.093	.104	2.10	2.37	2.64
E1	.047	.051	.055	1.20	1.30	1.40
e	.075			1.90 BSC		
e1	.037			0.95 BSC		
L	.015	.020	.024	0.40	0.50	0.60
L1	.022			(0.55)		
N	3			3		
φ	0°	-	8°	0°	-	8°
aaa	.004			0.10		
bbb	.008			0.20		



NOTES:

1. CONTROLLING DIMENSIONS ARE IN MILLIMETERS (ANGLES IN DEGREES).
2. DATUMS [-A-] AND [-B-] TO BE DETERMINED AT DATUM PLANE [-H-]
3. DIMENSIONS "E1" AND "D" DO NOT INCLUDE MOLD FLASH, PROTRUSIONS OR GATE BURRS.

Land Pattern - SOT23



DIMENSIONS		
DIM	INCHES	MILLIMETERS
C	(.087)	(2.20)
E	.037	0.95
E1	.075	1.90
G	.031	0.80
X	.039	1.00
Y	.055	1.40
Z	.141	3.60

NOTES:

1. THIS LAND PATTERN IS FOR REFERENCE PURPOSES ONLY CONSULT YOUR MANUFACTURING GROUP TO ENSURE YOUR COMPANY'S MANUFACTURING GUIDELINES ARE MET.
2. REFERENCE JPG-SM-782A

Note 1 : Grid placement courtyard is 8 x 8 elements (4mm x 4mm) in accordance with the international grid detailed in IEC Publication 97.

**PROTECTION PRODUCTS****Ordering Information**

<b>Part Number</b>	<b>Lead Finish</b>	<b>Qty per Reel</b>	<b>Reel Size</b>
SDC36.TC	SnPb	3,000	7 Inch
SDC36.TCT	Pb Free	3,000	7 Inch

**Contact Information**

Semtech Corporation  
Protection Products Division  
200 Flynn Rd., Camarillo, CA 93012  
Phone: (805)498-2111 FAX (805)498-3804

# Mouser Electronics

Authorized Distributor

Click to View Pricing, Inventory, Delivery & Lifecycle Information:

[Semtech:](#)

[SDC36.TCT](#) [SDC36C.TCT](#)