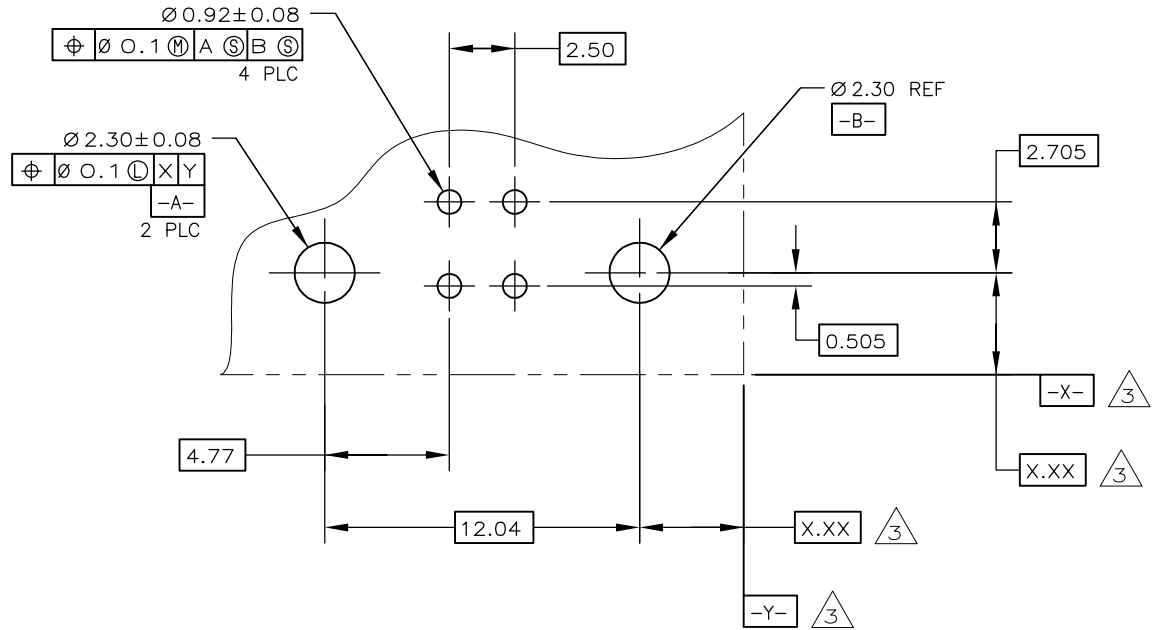
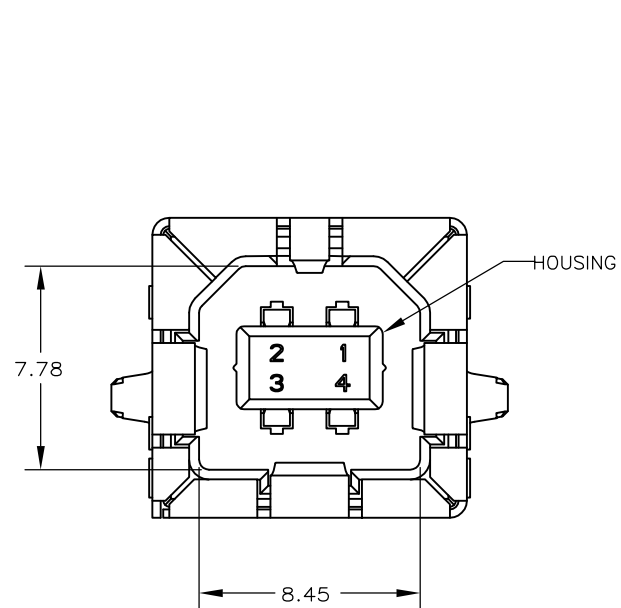
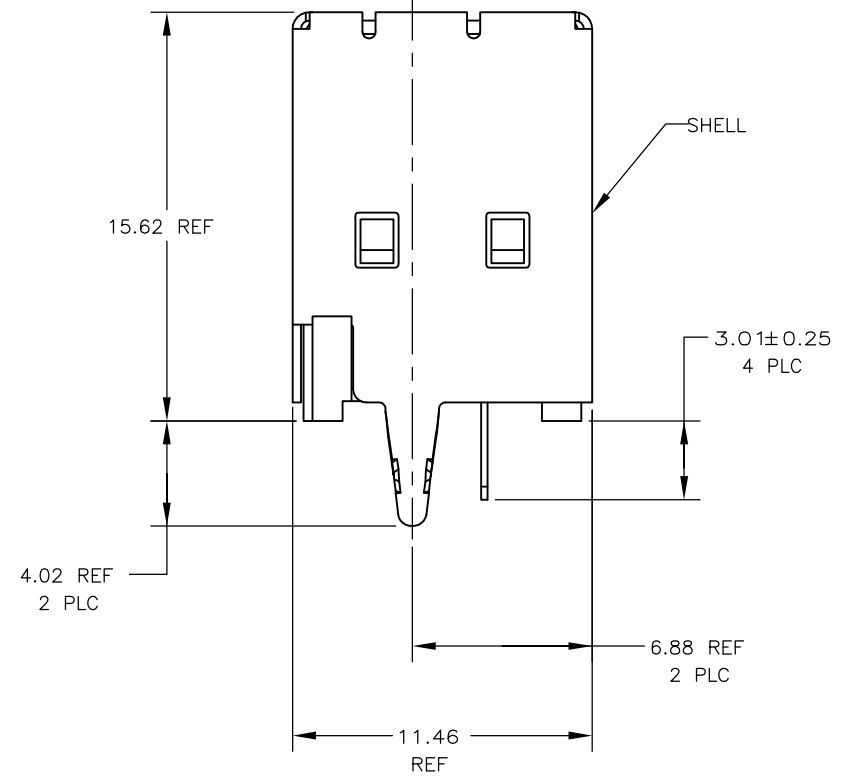
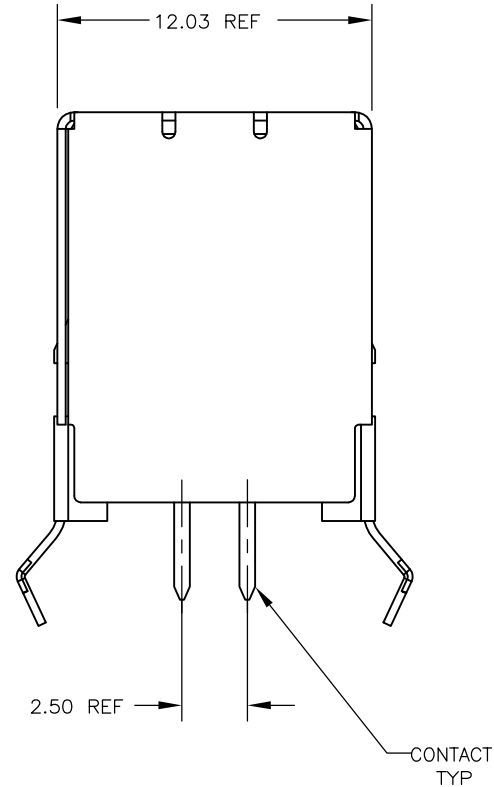


LOC	DIST	REVISIONS					
ES	00	F	LTR	DESCRIPTION	DATE	DWN	APVD
		A4		REVISED PER ECR-17-010413	20Jul2017	T.Z	H.W



LEAD FREE

PC BOARD MOUNTING DIMENSIONS



- 1 MATERIAL:  
 1 SHELL - STAINLESS STEEL.  
 CONTACTS - COPPER ALLOY.  
 HOUSING - UL 94V-0 RATED, THERMOPLASTIC, FOR COLOR SEE TABLE.
- 2 PLATING:  
 CONTACTS - 0.076um MINIMUM GOLD OVER 0.76um MINIMUM PALLADIUM-NICKEL ON MATING AREA, 3.8um MINIMUM MATTE TIN ON SOLDER TAILS, BOTH OVER 1.27um MINIMUM NICKEL.  
 CONTACT ALTERNATE PLATING: 0.76um MINIMUM GOLD ON MATING AREA, 3.80um MINIMUM MATTE TIN ON SOLDER TAILS, BOTH OVER 1.27um MINIMUM NICKEL.  
 SHELL - 2~5um MINIMUM BRIGHT TIN.
- 3 DATUM AND BASIC DIMENSIONS ESTABLISHED BY CUSTOMER.
- 4 RECOMMENDED PC BOARD THICKNESS OF 1.57mm.

NATURAL	5787834-2
BLACK	5787834-1
HOUSING COLOR	PART NUMBER

THIS DRAWING IS A CONTROLLED DOCUMENT.		DWN	28MAY2004	TE Connectivity
		CHK	28MAY2004	
		APVD	28MAY2004	NAME
		Takinori Sasaki		PRODUCT SPEC
		-		APPLICATION SPEC
		-		WEIGHT
		-		RESTRICTED TO
		SIZE	CAGE CODE	DRAWING NO
		A2	00779	C=5787834
		CUSTOMER DRAWING		SCALE
		5:1		SHEET
		1 of 1		REV
		A4		

5787834

# Mouser Electronics

Authorized Distributor

Click to View Pricing, Inventory, Delivery & Lifecycle Information:

[TE Connectivity:](#)

[5787834-1](#)