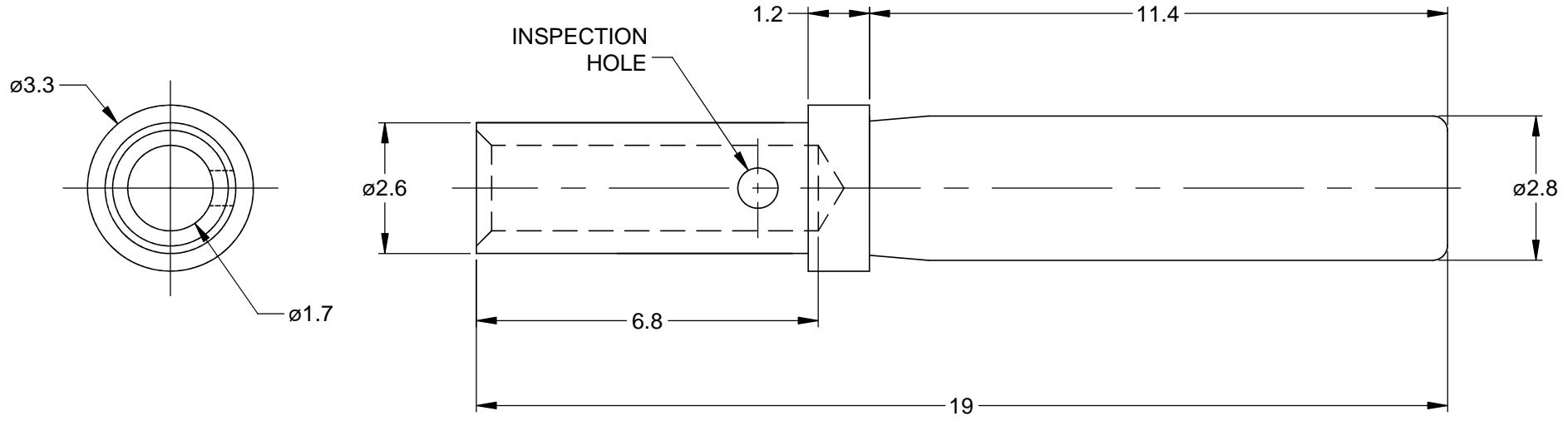


REVISIONS					
REV	ECO	DESCRIPTION	DATE	BY	APPR
A4	-	RELEASE NEW DWG FORMAT	10/OCT/13	DRP	-



PART NUMBER CHART	
PLATING	PART NUMBER
GOLD	AT62-201-1631
NICKEL	AT62-201-16141

NOTES: UNLESS OTHERWISE SPECIFIED

- MATERIAL: COPPER ALLOY
- PLATING: SEE PART NUMBER CHART
- CONTACT SIZE: 16
- SPECIFICATIONS:
  - 4.1 CURRENT RATING: 13 AMPS
  - 4.2 CONTACT MILLIVOLT DROP: 60 MILLIVOLT DROP @ 13 AMP TEST CURRENT.
  - 4.3 RoHS COMPLIANT
- RECOMMENDED WIRE RANGE: 16 - 20 AWG
- AVAILABLE HAND CRIMPER: CA-5D12
- ALL DIMENSIONS ARE FOR REFERENCE USE ONLY

SEE PART NUMBER CHART		
PART NUMBER	DESCRIPTION	ITEM

QUANTITY	MATERIALS LIST	
UNLESS OTHERWISE SPECIFIED 1) All dimensions are in metric(mm). 2) Tolerances are as follows: 1 PL DEC ±0.30 2 PL DEC ±0.15 3 PL DEC ±0.08 3) Note reference =	SIGNATURES	DATE
	DRAWN: D.PARKS	10/OCT/13
	CHECKED:	
	ENGINEER:	
MATERIAL SPECIFICATIONS:	APPROVAL:	
PROCESS SPECIFICATIONS:	CUSTOMER:	
NEXT ASS'Y:	THIS DRAWING IS SUPPLIED FOR INFORMATION ONLY. DESIGN FEATURES, SPECIFICATIONS AND PERFORMANCE DATA SHOWN HEREON ARE THE PROPERTY OF THE AMPHENOL CORPORATION. NO RIGHTS OF REPRODUCTION ARE IMPLIED. ALL DIMENSIONS ARE SUBJECT TO NORMAL MANUFACTURING VARIATIONS.	

# Amphenol

Sine Systems - www.amphenol-sine.com  
44724 Morley Drive  
Clinton Township, MI 48036

**CONTACT, SOCKET, SOLID, SIZE 16,  
16-20 AWG, AT & AHD-9 SERIES**

SIZE	TYPE	DWG NO:	REVISION
A	C-	AT62-201-16XXX	A4
SCALE: NONE		SHEET 1 OF 1	

# Mouser Electronics

Authorized Distributor

Click to View Pricing, Inventory, Delivery & Lifecycle Information:

[Amphenol:](#)

[AT62-201-16141](#)