



Contents

lm


Revisions

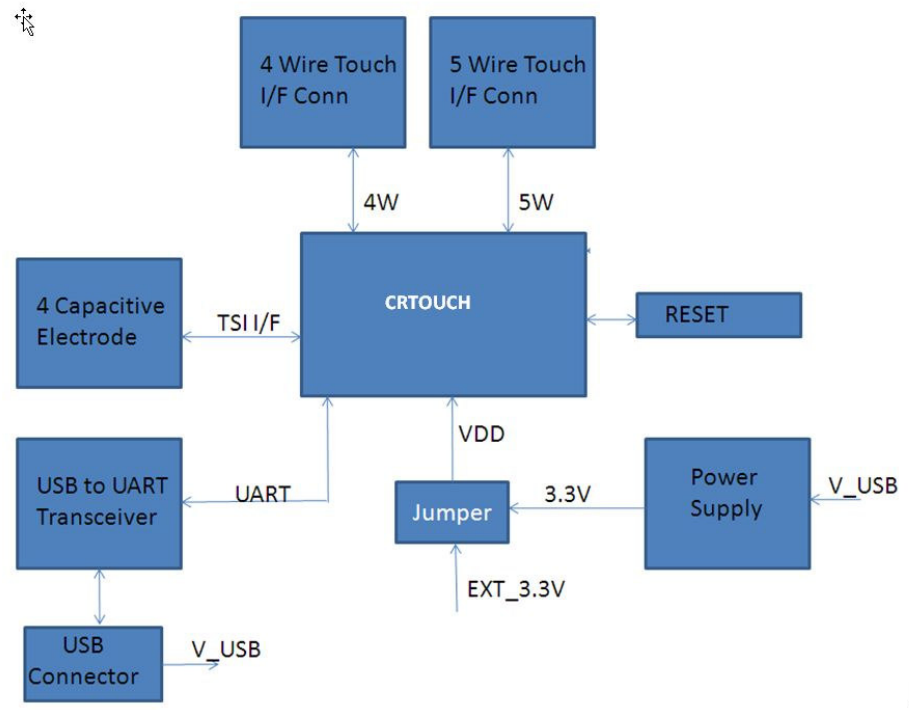
Rev	Description	Date	Approved
X1	Initial Release	07-July-2011	Alberto Carrillo
X2	SW3 part changed to 510-77696 TP10 changed to 211-75906 J5 Pin1 &3 connections swapped	13-July-2011	Alberto Carrillo
X3	Back Annotated	18-July-2011	Alberto Carrillo
A	Prototype Release	21-July-2011	Alberto Carrillo
AX1	Remove D5 and R (TouchActivity LED) connected to pin 1 of U1. Remove TouchActivity (pin 8) signal from the J2 connector. Change J2 to a 10 pin connector. Connect a 100 OHM resistor between pins 1 and 15 and another between pins 6 and 17 of U1. Remove TP4. DNP J5. BDM connector removed	08-Dec-2011	Alberto Carrillo
B	Rev B Release	04-Jan-2012	Alberto Carrillo
BX1	Zener and Fuse replaced. MCU part number updated	13-April-2012	Alberto Carrillo
C	Release for Production	20-April-2012	Alberto Carrillo

		Microcontroller Solutions Group 6501 William Cannon Drive West Austin, TX 78735-6999	
This document contains information proprietary to Freescale Semiconductor and shall not be used for engineering design, procurement or manufacture in whole or in part without the express written permission of Freescale Semiconductor.			
Designer: K.Mangula		ICAP Classification: FOP: FIUQ: X PUB:	
Drawn by: K.Mangula		EVBCRTOUCH	
Table of Contents/Revisions			
Approved: Alberto Carrillo	Size C	Document Number SCH-27238;PDF: SPF-27238	Rev C
Date: Monday, April 23, 2012		Sheet 1 of 5	

All polarized capacitors are aluminum electrolytic

2. Interrupted lines coded with the same letter or letter combinations are electrically connected.
3. Device type number is for reference only. The number varies with the manufacturer.
4. Special signal usage:
 - _B Denotes - Active-Low Signal
 - <> or [] Denotes - Vectored Signals
5. Interpret diagram in accordance with American National Standards Institute specifications, current revision, with the exception of logic block symbology.

		
ICAP Classification: FCP: FUC: X PUB:		
Drawing Title: EVBCRTOUCH		
Page Title: NOTES		
Size C	Document Number SCH-27238;PDF: SPF-27238	Rev C
Date: Monday, April 23, 2012	Sheet 2 of 5	



USB TO UART BRIDGE

