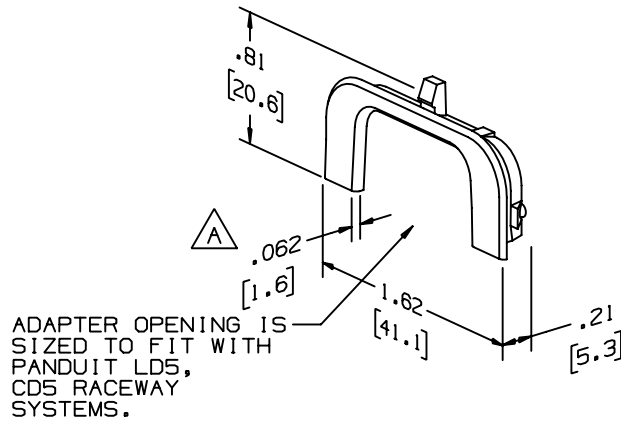


THIS COPY IS PROVIDED ON A RESTRICTED BASIS AND IS NOT TO BE USED IN ANY WAY DETRIMENTAL TO THE INTERESTS OF PANDUIT CORP.

PANDUIT PART NO.	WEIGHT
CA5	.23 LB/100 PCS (103 g/100 PCS)



- △** NOTES:
- SEE CURRENT CATALOG FOR ADDITIONAL PART NUMBER SUFFIXES TO INDICATE COLOR AND/OR PACKAGE QUANTITY.
 - DIMENSIONS IN PARENTHESIS ARE IN METRIC.



CAD FILENAME/LAYERS		DPC-CA5_C4.PRT	
PANDUIT		CORP. TINLEY PARK, ILLINOIS	
COVER ADAPTER (CA5)		FOR LD5	
CUSTOMER DRAWING		UNLESS OTHERWISE SPECIFIED, DIMENSIONAL TOLERANCES ARE: (.X) ± (.XXX) ±.010 (.3) (.XX) ±.03 (.8) ANGLES ±	
UNLESS OTHERWISE SPECIFIED, ALL DIMENSIONS ARE GIVEN IN INCHES, THIRD ANGLE PROJECTION.		SCALE FULL	
DRAWN BY	DW	MAT'L:	PVC
DATE	03-06-89	△	
CHK'D	CEF	DRAWING NO.	34089-21
		DWG SIZE	A

REV	DATE	BY	CHK	DESCRIPTION	ECN	R	CUST	SUP
4	03-01-04	JHEP	RGRO	E. REMOVED CD5 FROM TITLE BLOCK	34089-21	RGRO	RGRO	
3	11-30-98	PM	HIW	D. REVISE MATERIAL; WAS ABS	34089-21	HIW		
2	11-15-91	DW	CEF	C. OMIT NOTE TO BE USED WITH FROM DWG.	34089-21	2		
---	---	---	---	B. REVISED NOTE NO.1 AND OMIT NOTE NO. 2 REMOVED COLOR FROM DWG.	---	---		
1	12-18-89	DW	WJB	A. ADDED THICKNESS DIMENSION	34089-21	1		
R	09-04-89	DW	WJB	RELEASED TO PRODUCTION	34089-21	R		

Mouser Electronics

Authorized Distributor

Click to View Pricing, Inventory, Delivery & Lifecycle Information:

[Panduit:](#)

[CA5EI-X](#) [CA5IW-X](#) [CA5WH-X](#) [CA5IG-X](#)