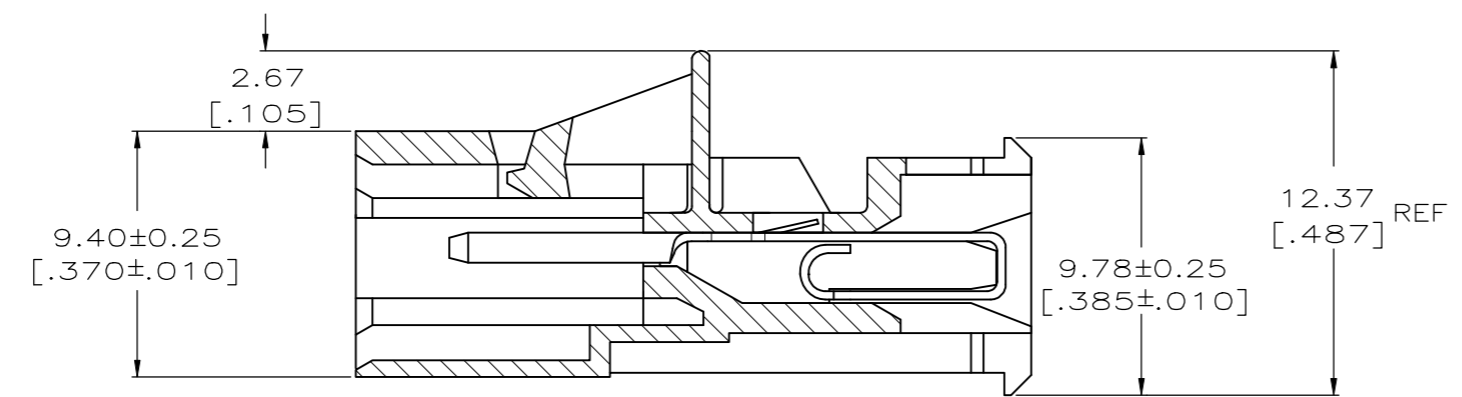
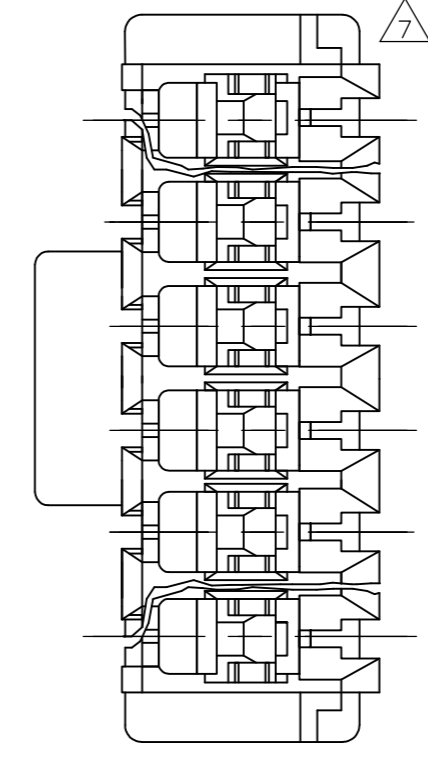
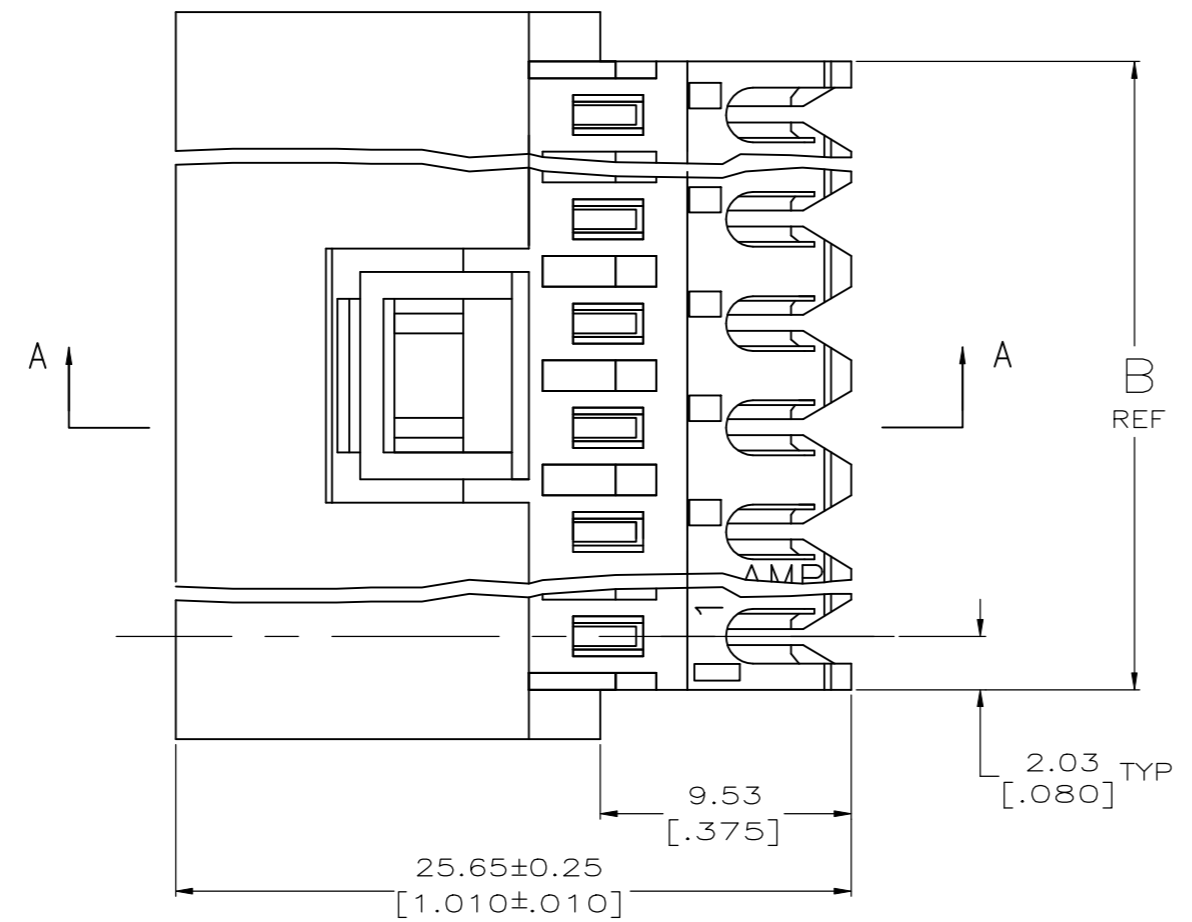
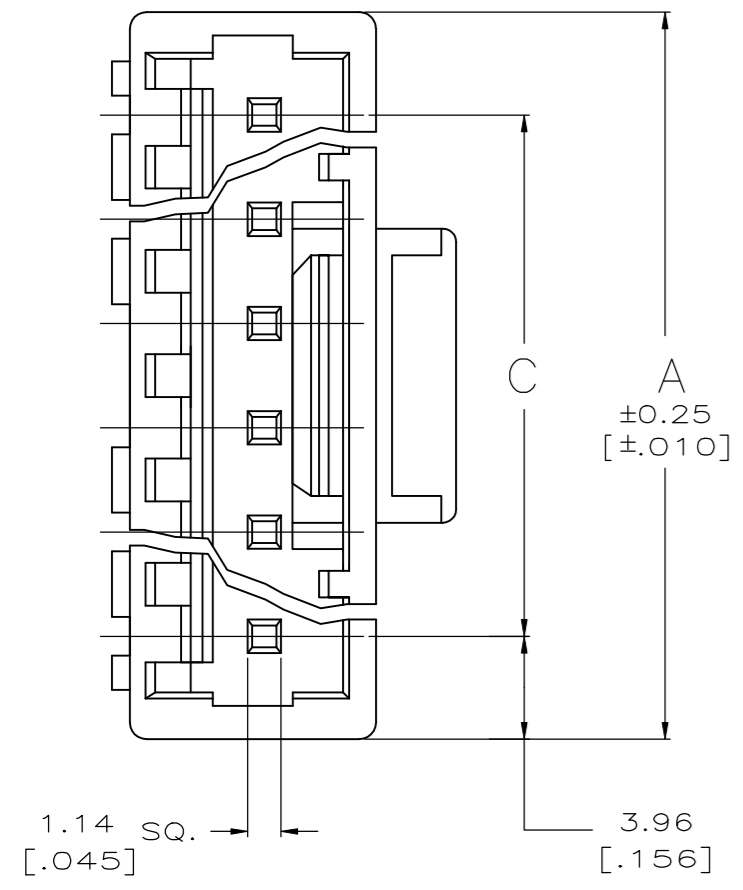


LOC		DIST		REVISIONS		
P	LTR	DESCRIPTION	DATE	DWN	APVD	
G2		REVISED PER ECR-17-018200	10JAN2018	BDA	SG	

- 1 MATERIAL: CONNECTOR- NYLON UL94V-2 (RED);  
 CONTACTS- 0.30 [.012] THK COPPER ALLOY  
 (BRIGHT TIN-LEAD 0.00203 [.000080] MIN THK).  
 (MATTE TIN 0.00203 [.000080] MIN THK).
- 2 CONTACTS ACCEPT #22 AWG SOLID, FUSED STRANDED OR  
 STRANDED (7 STRANDS) WIRE WITH 2.41 [.095] MAX INSULATION DIA.
- 3 BOW, IN ANY DIRECTION, NOT TO EXCEED 0.15 [.006] PER IN.
- 4 HOUSING FEATURES: FEED-THRU.
- 5 DIMENSIONS IN BRACKETS ARE IN INCHES.
- 6 OBSOLETE PARTS: OBSOLETE CIS STREAMLINING PER D.RENAUD/D.SINISI
- 7 OBSOLETE PARTS



SECTION A-A

FINISH	C	B	A	NO. OF CIRCUITS	PART NO.
TIN	91.14 [3.588]	95.20 [3.748]	99.06 [3.900]	24	5-641524-4
	55.47 [2.184]	59.54 [2.344]	63.40 [2.496]	15	4-641524-5
	43.59 [1.716]	47.65 [1.876]	51.51 [2.028]	12	4-641524-2
	31.70 [1.248]	35.76 [1.408]	39.62 [1.560]	9	3-641524-9
	19.81 [0.780]	23.88 [0.940]	27.74 [1.092]	6	3-641524-6
	11.89 [0.468]	15.95 [0.628]	19.81 [0.780]	4	3-641524-4
	7.92 [0.312]	11.99 [0.472]	15.85 [0.624]	3	3-641524-3
	3.96 [0.156]	8.03 [0.316]	11.89 [0.468]	2	3-641524-2
TIN-LEAD	91.14 [3.588]	95.20 [3.748]	99.06 [3.900]	24	<del>2-641524-4</del>
	55.47 [2.184]	59.54 [2.344]	63.40 [2.496]	15	<del>1-641524-5</del>
	43.59 [1.716]	47.65 [1.876]	51.51 [2.028]	12	<del>1-641524-2</del>
	31.70 [1.248]	35.76 [1.408]	39.62 [1.560]	9	<del>641524-9</del>
	19.81 [0.780]	23.88 [0.940]	27.74 [1.092]	6	<del>641524-6</del>
	11.89 [0.468]	15.95 [0.628]	19.81 [0.780]	4	<del>641524-4</del>
	7.92 [0.312]	11.99 [0.472]	15.85 [0.624]	3	<del>641524-3</del>
	3.96 [0.156]	8.03 [0.316]	11.89 [0.468]	2	<del>641524-2</del>

THIS DRAWING IS A CONTROLLED DOCUMENT. DWN: J. HUFFMAN 6-26-95  
 CHK: R. SWING 6-26-95

TE Connectivity

MTA-156  
 POSTED CONNECTOR ASSEMBLY,  
 22 AWG

SIZE: A1 CAGE CODE: 00779 DRAWING NO: 641524  
 CUSTOMER DRAWING SCALE: 5:1 SHEET 1 OF 1 REV: G2

# Mouser Electronics

Authorized Distributor

Click to View Pricing, Inventory, Delivery & Lifecycle Information:

[TE Connectivity:](#)

[3-641524-2](#)