

PART NAME

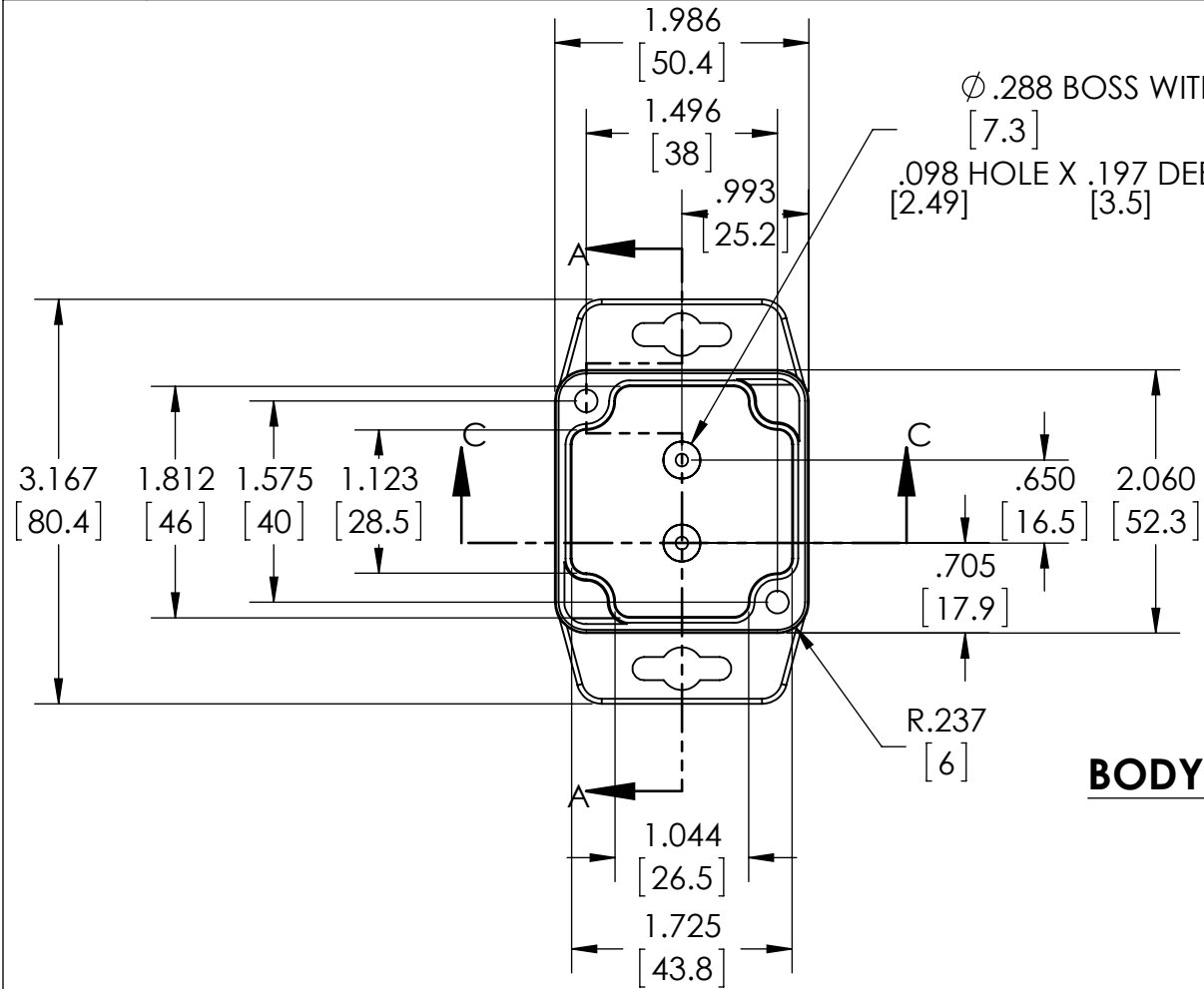
NEMA 4X PLASTIC BOX w/EXTERNAL MTG. BRKT.

PART No.

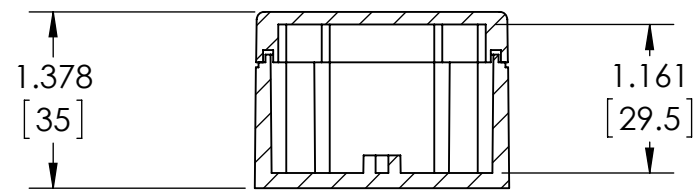
PN-1330-MB PN-1330-CMB PN-1330-DGMB

REVISION DATE

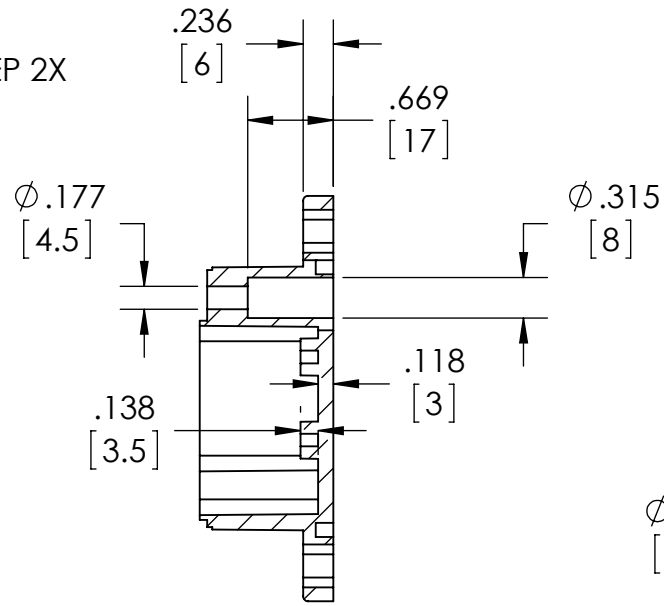
2-10-14



BODY

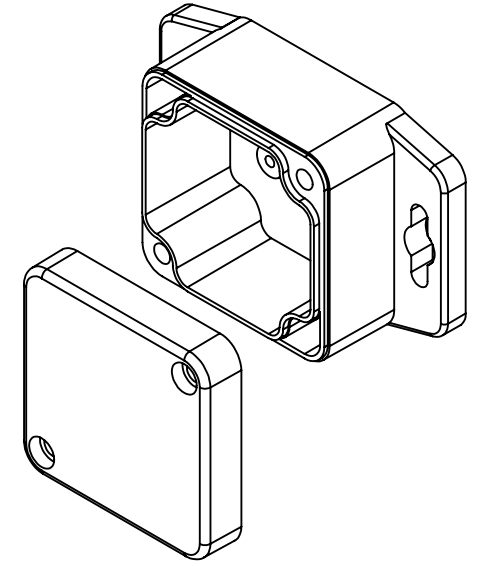
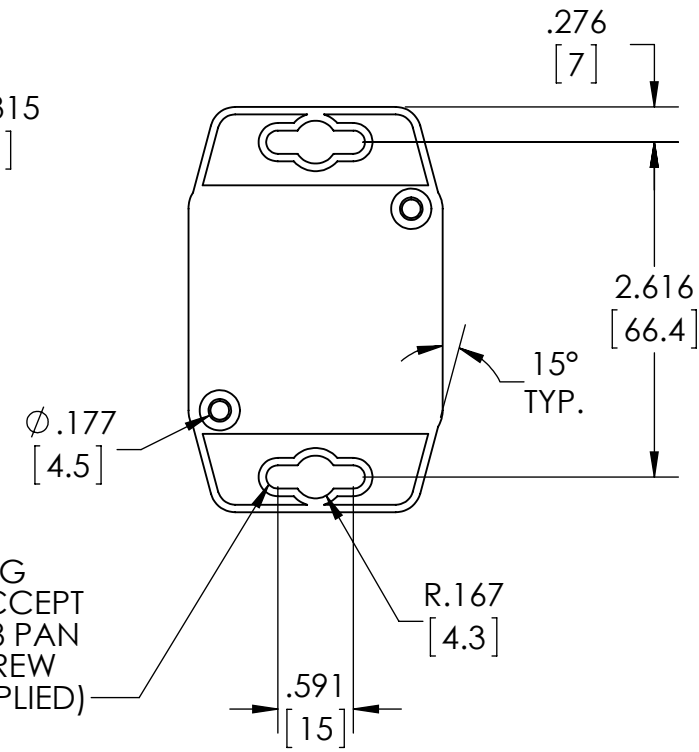


SECTION C-C
SCALE 1 : 1.5
SHOWN WITH COVER

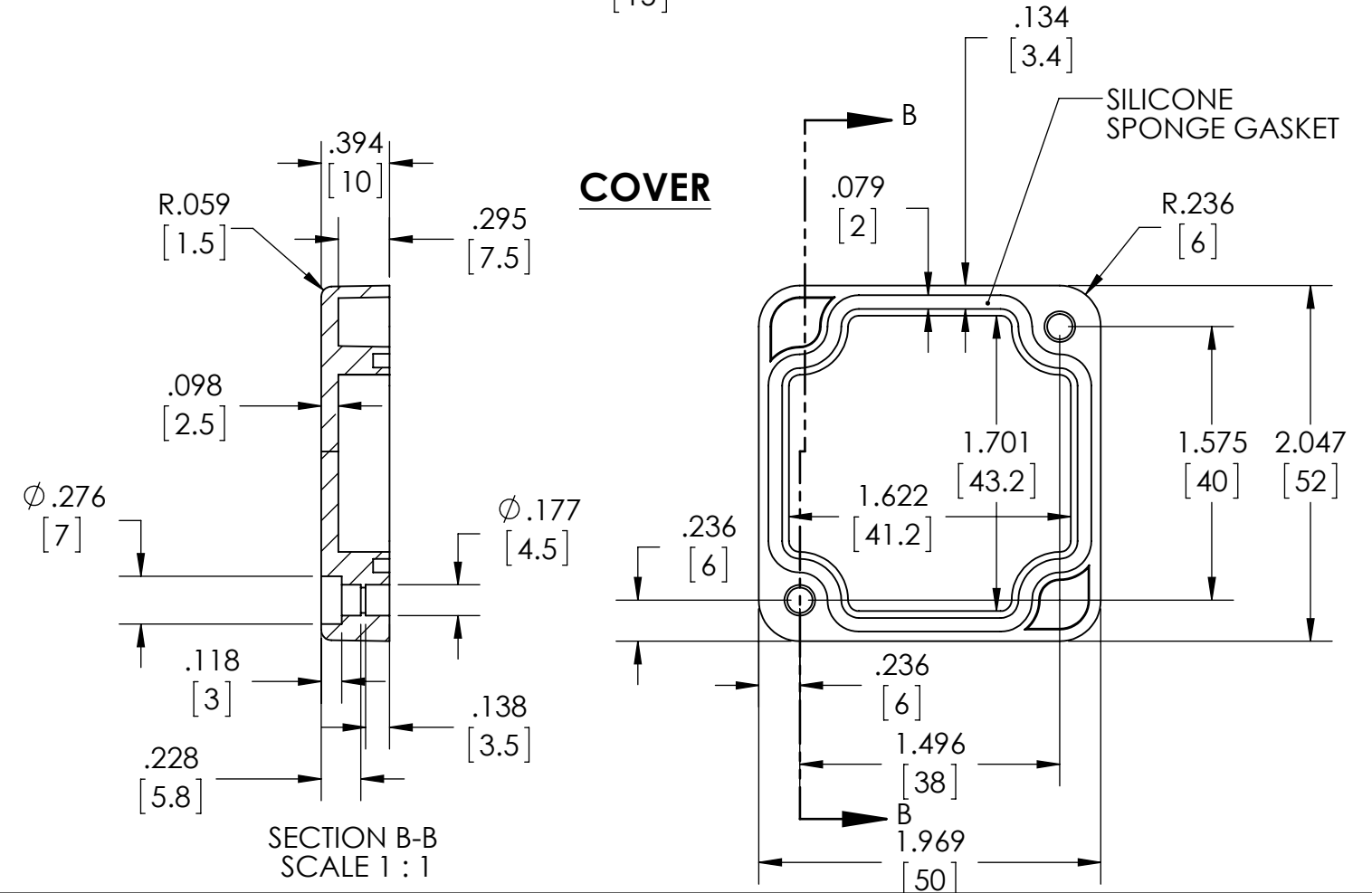


SECTION A-A
SCALE 1 : 1.5

MOUNTING HOLES ACCEPT M4 OR #8 PAN HEAD SCREW (NOT SUPPLIED)



COVER



SECTION B-B
SCALE 1 : 1

MATERIAL & FINISH:

(-MB SUFFIX PART NO.) POLYCARBONATE UL94-HB, UV STABILIZED, SERVICE TEMPERATURE RANGE: -40°C TO +120°C, LIGHT GRAY BODY & COVER.
(-CMB SUFFIX PART NO.) SAME AS -MB EXCEPT CLEAR COVER.
(-DGMB SUFFIX PART NO.) ABS UL94-HB, SERVICE TEMPERATURE RANGE: -40°C TO +80°C, DARK GRAY BODY & COVER.

NOTES:

- 1.) FOUR (4) M4 STAINLESS STEEL SCREWS SUPPLIED FOR ASSEMBLY OF COVER TO BODY.
- 2.) BOXES DESIGNED TO MEET FOLLOWING STANDARDS:
NEMA 1, 2, 4, 4X, 12, 13 AND IEC529-IP66 REQUIREMENTS.
- 3.) ALL HOLE DIAMETERS HAVE ±.005[.12] TOLERANCE.
ALL OTHER DIMENSIONS HAVE ±.015[.38] TOLERANCE.
- 4.) ALL OUTSIDE DRAFT ANGLE: 1°
ALL INSIDE DRAFT ANGLE: 1/2°
- 5.) DIMENSIONS ARE INCH[MM]

Mouser Electronics

Authorized Distributor

Click to View Pricing, Inventory, Delivery & Lifecycle Information:

[Bud Industries:](#)

[PN-1330-CMB](#) [PN-1330-DGMB](#) [PN-1330-MB](#)