

AMC1204 20-MHz, Second-Order, Isolated Delta-Sigma Modulator for Current-Shunt Measurement

1 Features

- ± 250 -mV input voltage range optimized for shunt resistors
- Safety-related certifications:
 - 4250- V_{PK} (AMC1204B) basic isolation per DIN VDE V 0884-11: 2017-01
 - 3005- V_{RMS} (AMC1204B) isolation for 1 minute per UL1577
 - CAN/CSA no. 5A-component acceptance service notice and DIN EN 61010-1
 - Working voltage: 1200 V_{PEAK}
 - Transient immunity: 15 kV/ μ s
- High electromagnetic field immunity (see [SLLA181A application report](#))
- Outstanding AC performance:
 - SNR: 84 dB (minimum)
 - THD: -80 dB (maximum)
- Excellent DC precision:
 - INL: ± 8 LSB (maximum)
 - Gain Error: $\pm 2\%$ (maximum)
- External clock input for easier synchronization
- Fully specified over the extended industrial temperature range

2 Applications

- Shunt resistor based current sensing in:
 - [Motor controls](#)
 - [Green energy](#)
 - [Inverter applications](#)
 - [Uninterruptible power supplies](#)

3 Description

The AMC1204 and AMC1204B are 1-bit digital output, isolated delta-sigma ($\Delta\Sigma$) modulators that can be clocked at up to 20 MHz. The digital isolation of the modulator output is provided by a silicon dioxide (SiO_2) barrier that is highly resistant to magnetic interference. This barrier has been certified to provide basic galvanic isolation of up to 4000 V_{PEAK} (AMC1204) and 4250 V_{PEAK} (AMC1204B) according to UL1577, VDE V 0884-11, and CSA standards or specifications.

The AMC1204 and AMC1204B provide a single-chip solution for measuring the small signal of a shunt resistor across an isolated barrier. These types of resistors are typically used to sense currents in motor control inverters, green energy generation systems, and other industrial applications. The AMC1204 and AMC1204B differential inputs easily connect to the shunt resistor or other low-level signal sources. An internal reference eliminates the need for external components. When used with an appropriate external digital filter, an effective number of bits (ENOB) of 14 is achieved at a data rate of 78 kSPS.

A 5-V analog supply (AVDD) is used by the modulator while the isolated digital interface operates from a 3-V, 3.3-V, or 5-V supply (DVDD). The AMC1204 and AMC1204B are available in SOIC-16 (DW) and SOIC-8 (DWV) packages and are specified from -40°C to 105°C .

Device Information⁽¹⁾

| PART NUMBER | PACKAGE | BODY SIZE (NOM) |
|-------------|-----------|--------------------|
| AMC1204 | SOIC (16) | 10.30 mm x 7.50 mm |
| | SOIC (8) | 5.85 mm x 7.50 mm |

(1) For all available packages, see the orderable addendum at the end of the data sheet.

Device Block Diagram

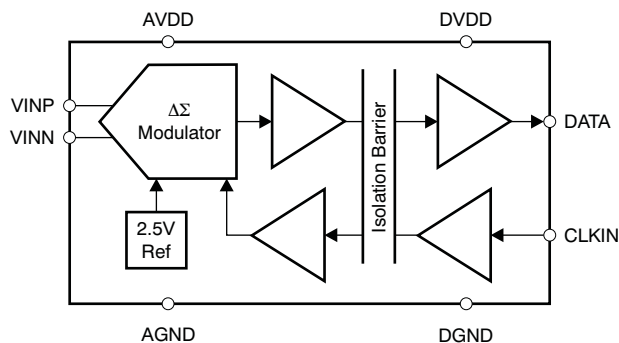


Table of Contents

| | | | |
|--|-----------|--|-----------|
| 1 Features | 1 | 7.1 Overview | 19 |
| 2 Applications | 1 | 7.2 Functional Block Diagram | 19 |
| 3 Description | 1 | 7.3 Feature Description | 20 |
| 4 Revision History | 2 | 7.4 Device Functional Modes | 22 |
| 5 Pin Configuration and Functions | 4 | 8 Application and Implementation | 23 |
| 6 Specifications | 5 | 8.1 Application Information | 23 |
| 6.1 Absolute Maximum Ratings | 5 | 8.2 Typical Application | 25 |
| 6.2 ESD Ratings | 5 | 9 Power Supply Recommendations | 28 |
| 6.3 Recommended Operating Conditions | 5 | 10 Layout | 29 |
| 6.4 Thermal Information | 5 | 10.1 Layout Guidelines | 29 |
| 6.5 Power Ratings | 6 | 10.2 Layout Example | 29 |
| 6.6 Insulation Specifications | 6 | 11 Device and Documentation Support | 30 |
| 6.7 Safety-Related Certifications | 8 | 11.1 Documentation Support | 30 |
| 6.8 Safety Limiting Values | 8 | 11.2 Receiving Notification of Documentation Updates | 30 |
| 6.9 Electrical Characteristics | 9 | 11.3 Support Resources | 30 |
| 6.10 Timing Requirements | 10 | 11.4 Trademarks | 30 |
| 6.11 Insulation Characteristics Curves | 11 | 11.5 Electrostatic Discharge Caution | 30 |
| 6.12 Typical Characteristics | 12 | 11.6 Glossary | 30 |
| 7 Detailed Description | 19 | 12 Mechanical, Packaging, and Orderable Information | 30 |

4 Revision History

NOTE: Page numbers for previous revisions may differ from page numbers in the current version.

| Changes from Revision E (September 2015) to Revision F | Page |
|---|-------------|
| • Changed <i>Certified Digital Isolation</i> bullet to <i>Safety-related certifications</i> and changed details as per ISO standard | 1 |
| • Deleted <i>Long isolation barrier lifetime</i> bullet from <i>Features</i> section | 1 |
| • Changed VDE V 0884-10 to VDE V 0884-11 in <i>Description</i> section | 1 |
| • Changed title of <i>Device Block Diagram</i> from <i>Simplified Schematic</i> | 1 |
| • Changed <i>Absolute Maximum Ratings</i> condition statement | 5 |
| • Added <i>Power Ratings</i> table | 6 |
| • Changed <i>Insulation Specifications</i> table per ISO standard | 6 |
| • Changed <i>Safety-Related Certification</i> table per ISO standard | 8 |
| • Changed <i>Safety Limiting Values</i> table per ISO standard | 8 |
| • Added <i>Insulation Characteristics Curves</i> as per ISO standard | 11 |
| • Changed <i>Related Documentation</i> section | 30 |
| • Deleted <i>Related Links</i> section | 30 |

| Changes from Revision D (December 2013) to Revision E | Page |
|--|-------------|
| • Added <i>ESD Ratings</i> table, <i>Feature Description</i> section, <i>Device Functional Modes</i> , <i>Application and Implementation</i> section, <i>Power Supply Recommendations</i> section, <i>Layout</i> section, <i>Device and Documentation Support</i> section, and <i>Mechanical, Packaging, and Orderable Information</i> section | 1 |
| • Changed first sub-bullet of <i>Certified Digital Isolation</i> Feature bullet: changed IEC60747-5-5 to VDE V 0884-10 | 1 |
| • Changed IEC60747-5-5 to VDE V 0884-10 in first paragraph of <i>Description</i> section | 1 |

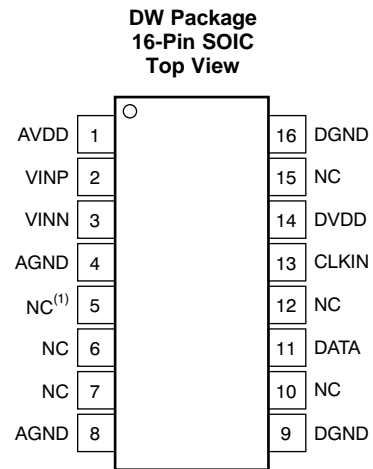
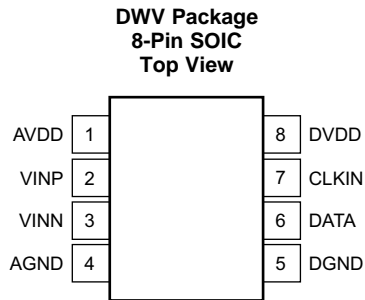
Changes from Revision C (August 2012) to Revision D
Page

| | |
|--|----|
| • Changed first sub-bullet of <i>Certified Digital Isolation</i> Feature bullet: changed IEC60747-5-2 to IEC60747-5-5..... | 1 |
| • Deleted chip photo..... | 1 |
| • Added DWV (SSO-8) package to document..... | 1 |
| • Changed IEC60747-5-2 to IEC60747-5-5 in first paragraph of <i>Description</i> section | 1 |
| • Changed last paragraph of <i>Description</i> section | 1 |
| • Added DWV pin out drawing | 4 |
| • Added DWV information to Pin Descriptions table..... | 4 |
| • Added DWV package to Thermal Information table..... | 5 |
| • Changed first paragraph of <i>Digital Output</i> section: changed 78.1% to 89.06% and 21.9% to 10.94% | 22 |

Changes from Revision B (August 2011) to Revision C
Page

| | |
|--|----|
| • Changed Certified digital isolation, isolation voltage Feature bullet..... | 1 |
| • Added AMC1204B to document..... | 1 |
| • Changed Description section to include AMC1204B..... | 1 |
| • Changed package name from TSSOP to SO..... | 4 |
| • Changed footnote 1 in <i>Electrical Characteristics</i> table..... | 9 |
| • Changed Analog Inputs, V_{CM} parameter minimum specification and unit in <i>Electrical Characteristics</i> table..... | 9 |
| • Changed Digital Output, C_{OUT} and C_{LOAD} parameters unit specifications in <i>Electrical Characteristics</i> table | 10 |
| • Updated Figure 53 | 27 |
| • Updated Figure 55 | 28 |
| • Updated Figure 56 | 29 |

5 Pin Configuration and Functions



NC = no internal connection.

Pin Functions

| NAME | PIN NO. | | I/O | DESCRIPTION |
|-------|---------|---------------------|----------------|--|
| | NO. | | | |
| | 8 PINS | 16 PINS | | |
| AVDD | 1 | 1 | Power | High-side power supply |
| VINP | 2 | 2 | Analog input | Noninverting analog input |
| VINN | 3 | 3 | Analog input | Inverting analog input |
| AGND | 4 | 4, 8 ⁽¹⁾ | Power | High-side ground |
| DGND | 5 | 9, 16 | Power | Controller-side ground |
| DATA | 6 | 11 | Digital output | Modulator data output |
| CLKIN | 7 | 13 | Digital input | Modulator clock input |
| DVDD | 8 | 14 | Power | Controller-side power supply |
| NC | — | 5-7, 10, 12, 15 | — | No internal connection; can be tied to any potential or left unconnected |

(1) Both pins are connected internally via a low-impedance path; thus, only one of the pins must be tied to the ground plane.

6 Specifications

6.1 Absolute Maximum Ratings

see ⁽¹⁾

| | MIN | MAX | UNIT |
|--|------------|------------|------|
| Supply voltage, AVDD to AGND or DVDD to DGND | -0.3 | 6 | V |
| Analog input voltage at VINP, VINN | AGND - 0.5 | AVDD + 0.5 | V |
| Digital input voltage at CLKIN | DGND - 0.3 | DVDD + 0.3 | V |
| Input current to any pin except supply pins | -10 | 10 | mA |
| Maximum virtual junction temperature, T _J | | 150 | °C |
| Operating ambient temperature, T _{OA} | -40 | 125 | °C |
| Storage temperature, T _{stg} | -65 | 150 | °C |

- (1) Stresses beyond those listed under absolute maximum ratings may cause permanent damage to the device. These are stress ratings only, and functional operation of the device at these or any other conditions beyond those indicated under the [Electrical Characteristics](#) is not implied. Exposure to absolute maximum rated conditions for extended periods may affect device reliability.

6.2 ESD Ratings

| | | | VALUE | UNIT |
|--------------------|-------------------------|---|-------|------|
| V _(ESD) | Electrostatic discharge | Human-body model (HBM), per JEDEC standard 22, test method A114-C.01 ⁽¹⁾ | ±3000 | V |
| | | Charged-device model (CDM), per JEDEC standard 22, test method C101 ⁽²⁾ | ±1500 | |
| | | Machine model (MM), per JEDEC standard 22, test method A115A | ±200 | |

- (1) JEDEC document JEP155 states that 500-V HBM allows safe manufacturing with a standard ESD control process.

- (2) JEDEC document JEP157 states that 250-V CDM allows safe manufacturing with a standard ESD control process.

6.3 Recommended Operating Conditions

over operating free-air temperature range (unless otherwise noted)

| | | MIN | NOM | MAX | UNIT |
|----------------|--|-----|-----|-----|------|
| T _A | Operating ambient temperature | -40 | | 105 | °C |
| AVDD | High-side (analog) supply voltage | 4.5 | 5 | 5.5 | V |
| DVDD | Controller-side (digital) supply voltage | 2.7 | 3.3 | 5.5 | V |

6.4 Thermal Information

| THERMAL METRIC ⁽¹⁾ | | AMC1204, AMC1204B | | UNIT |
|-------------------------------|--|-------------------|------------|------|
| | | DW (SOIC) | DWV (SOIC) | |
| | | 16 PINS | 8 PINS | |
| R _{θJA} | Junction-to-ambient thermal resistance | 78.5 | 106.5 | °C/W |
| R _{θJC(top)} | Junction-to-case (top) thermal resistance | 41.3 | 53.6 | °C/W |
| R _{θJB} | Junction-to-board thermal resistance | 50.2 | 60.3 | °C/W |
| ψ _{JT} | Junction-to-top characterization parameter | 11.5 | 18.5 | °C/W |
| ψ _{JB} | Junction-to-board characterization parameter | 41.2 | 58.9 | °C/W |
| R _{θJC(bot)} | Junction-to-case (bottom) thermal resistance | n/a | n/a | °C/W |

- (1) For more information about traditional and new thermal metrics, see the [Semiconductor and IC package thermal metrics application report](#).

6.5 Power Ratings

| PARAMETER | | TEST CONDITIONS | MIN | TYP | MAX | UNIT |
|-----------------|--|----------------------------|-----|-----|-------|------|
| P _D | Maximum power dissipation (both sides) | AVDD = DVDD = 5.5 V | | | 115.5 | mW |
| | | AVDD = 5.5 V, DVDD = 3.6 V | | | 102.4 | |
| P _{D1} | Maximum power dissipation (high-side supply) | AVDD = 5.5 V | | | 88.0 | mW |
| P _{D2} | Maximum power dissipation (low-side supply) | DVDD = 5.5 V | | | 27.5 | mW |
| | | DVDD = 3.6 V | | | 14.4 | |

6.6 Insulation Specifications

over operating ambient temperature range (unless otherwise noted)

| PARAMETER | | TEST CONDITIONS | VALUE | UNIT |
|---|--|---|---------|------------------|
| GENERAL | | | | |
| CLR | External clearance ⁽¹⁾ | Shortest pin-to-pin distance through air, DW package | ≥ 8 | mm |
| | | Shortest pin-to-pin distance through air, DWV package | ≥ 8.5 | |
| CPG | External creepage ⁽¹⁾ | Shortest pin-to-pin distance across the package surface, DW package | ≥ 8 | mm |
| | | Shortest pin-to-pin distance across the package surface, DWV package | ≥ 8.5 | |
| DTI | Distance through insulation | Minimum internal gap (internal clearance) of the insulation | ≥ 0.014 | mm |
| CTI | Comparative tracking index | DIN EN 60112 (VDE 0303-11); IEC 60112, DW package | ≥ 400 | V |
| | | DIN EN 60112 (VDE 0303-11); IEC 60112, DWV package | ≥ 175 | |
| | Material group | According to IEC 60664-1, DW package | II | |
| | | According to IEC 60664-1, DWV package | III | |
| | Overvoltage category per IEC 60664-1 | Rated mains voltage ≤ 300 V _{RMS} | I-IV | |
| | | Rated mains voltage ≤ 600 V _{RMS} | I-III | |
| DIN VDE V 0884-11: 2017-01⁽²⁾ | | | | |
| V _{IORM} | Maximum repetitive peak isolation voltage | At ac voltage (bipolar) | 1200 | V _{PK} |
| V _{IOWM} | Maximum-rated isolation working voltage | At ac voltage (sine wave) | 849 | V _{RMS} |
| | | At dc voltage | 1200 | V _{DC} |
| V _{IOTM} | Maximum transient isolation voltage | V _{TEST} = V _{IOTM} , t = 60 s (qualification test), AMC1204B | 4250 | V _{PK} |
| | | V _{TEST} = 1.2 × V _{IOTM} , t = 1 s (100% production test), AMC1204B | 5100 | |
| | | V _{TEST} = V _{IOTM} , t = 60 s (qualification test), AMC1204 | 4000 | |
| | | V _{TEST} = 1.2 × V _{IOTM} , t = 1 s (100% production test), AMC1204 | 4800 | |
| V _{IOSM} | Maximum surge isolation voltage ⁽³⁾ | Test method per IEC 60065, 1.2/50-μs waveform, V _{TEST} = 1.3 × V _{IOSM} = 6000 V _{PK} (qualification) | 4615 | V _{PK} |

- (1) Apply creepage and clearance requirements according to the specific equipment isolation standards of an application. Care must be taken to maintain the creepage and clearance distance of a board design to ensure that the mounting pads of the isolator on the printed circuit board (PCB) do not reduce this distance. Creepage and clearance on a PCB become equal in certain cases. Techniques such as inserting grooves and ribs on the PCB are used to help increase these specifications.
- (2) This coupler is suitable for *safe electrical insulation* only within the safety ratings. Compliance with the safety ratings shall be ensured by means of suitable protective circuits.
- (3) Testing is carried out in air or oil to determine the intrinsic surge immunity of the isolation barrier.

Insulation Specifications (continued)

over operating ambient temperature range (unless otherwise noted)

| PARAMETER | | TEST CONDITIONS | VALUE | UNIT |
|------------------|---|--|--------------------|------------------|
| q _{pd} | Apparent charge ⁽⁴⁾ | Method a, after input/output safety test subgroup 2 / 3, V _{ini} = V _{IOTM} , t _{ini} = 60 s, V _{pd(m)} = 1.2 × V _{IORM} = 1440 V _{PK} , t _m = 10 s | ≤ 5 | pC |
| | | Method a, after environmental tests subgroup 1, V _{ini} = V _{IOTM} , t _{ini} = 60 s, V _{pd(m)} = 1.3 × V _{IORM} = 1560 V _{PK} , t _m = 10 s | ≤ 5 | |
| | | Method b1, at routine test (100% production) and preconditioning (type test), V _{ini} = V _{IOTM} , t _{ini} = 1 s, V _{pd(m)} = 1.5 × V _{IORM} = 1800 V _{PK} , t _m = 1 s | ≤ 5 | |
| C _{IO} | Barrier capacitance, input to output ⁽⁵⁾ | V _{IO} = 0.5 V _{PP} at 1 MHz | 1.2 | pF |
| R _{IO} | Insulation resistance, input to output ⁽⁵⁾ | V _{IO} = 500 V at T _A < 85°C | > 10 ¹² | Ω |
| | | V _{IO} = 500 V at 85°C < T _A < 105°C | > 10 ¹¹ | |
| | | V _{IO} = 500 V at T _S = 150°C | > 10 ⁹ | |
| | Pollution degree | | 2 | |
| | Climatic category | | 40/125/21 | |
| UL1577 | | | | |
| V _{ISO} | Withstand isolation voltage | V _{TEST} = V _{ISO} = 3005 V _{RMS} or 4250 V _{DC} , t = 60 s (qualification), V _{TEST} = 1.2 × V _{ISO} = 3606 V _{RMS} , t = 1 s (100% production test), AMC1204B | 3005 | V _{RMS} |
| | | V _{TEST} = V _{ISO} = 2500 V _{RMS} or 4000 V _{DC} , t = 60 s (qualification), V _{TEST} = 1.2 × V _{ISO} = 2800 V _{RMS} , t = 1 s (100% production test), AMC1204 | 2500 | |

(4) Apparent charge is electrical discharge caused by a partial discharge (pd).

(5) All pins on each side of the barrier are tied together, creating a two-pin device.

6.7 Safety-Related Certifications

| VDE | UL | CSA |
|--|---|--|
| Certified according to DIN VDE V 0884-11: 2017-01 and DIN EN 61010-1 (VDE 0411-1): 2011-07 | Recognized under 1577 component recognition program | Recognized under CSA component acceptance NO 5 program, IEC 60950-1, and IEC 61010-1 |
| Basic insulation | Single protection | Basic insulation |
| Certificate number: 40047657 | File number: E181974 | Certificate number: 2350550 |

6.8 Safety Limiting Values

Safety limiting intends to minimize potential damage to the isolation barrier upon failure of input or output circuitry.

| PARAMETER | | TEST CONDITIONS | MIN | TYP | MAX | UNIT |
|----------------|---|---|-----|-----|------|------|
| I _S | Safety input, output, or supply current | DW-package, R _{θJA} = 78.5°C/W, T _J = 150°C, T _A = 25°C, AVDD = DVDD = 5.5 V, see Figure 2 | | | 289 | mA |
| | | DWV-package, R _{θJA} = 106.5°C/W, T _J = 150°C, T _A = 25°C, AVDD = DVDD = 5.5 V, see Figure 2 | | | 213 | |
| P _S | Safety input, output, or total power ⁽¹⁾ | DW-package, R _{θJA} = 78.5°C/W, T _J = 150°C, T _A = 25°C, see Figure 3 | | | 1592 | mW |
| | | DWV-package, R _{θJA} = 106.5°C/W, T _J = 150°C, T _A = 25°C, see Figure 3 | | | 1173 | mW |
| T _S | Maximum safety temperature | | | | 150 | °C |

(1) The maximum safety temperature, T_S, has the same value as the maximum junction temperature, T_J, specified for the device. The I_S and P_S parameters represent the safety current and safety power, respectively. Do not exceed the maximum limits of I_S and P_S. These limits vary with the ambient temperature, T_A.

The junction-to-air thermal resistance, R_{θJA}, in the [Thermal Information](#) table is that of a device installed on a high-K test board for leaded surface-mount packages. Use these equations to calculate the value for each parameter:

T_J = T_A + R_{θJA} × P, where P is the power dissipated in the device.

T_{J(max)} = T_S = T_A + R_{θJA} × P_S, where T_{J(max)} is the maximum junction temperature.

P_S = I_S × AVDD_{max} + I_S × DVDD_{max}, where AVDD_{max} is the maximum high-side supply voltage and DVDD_{max} is the maximum controller-side supply voltage.

6.9 Electrical Characteristics

All minimum/maximum specifications at $T_A = -40^\circ\text{C}$ to 105°C , $AVDD = 4.5\text{ V}$ to 5.5 V , $DVDD = 2.7\text{ V}$ to 5.5 V , $V_{INP} = -250\text{ mV}$ to 250 mV , $V_{INN} = 0\text{ V}$, and sinc³ filter with OSR = 256, unless otherwise noted.

Typical values are at $T_A = 25^\circ\text{C}$, $AVDD = 5\text{ V}$, and $DVDD = 3.3\text{ V}$.

| PARAMETER | | TEST CONDITIONS | MIN | TYP | MAX | UNIT |
|--|---|--|---------|-------|--------------|--------|
| RESOLUTION | | | | | | |
| | Resolution | | 16 | | | Bits |
| DC ACCURACY | | | | | | |
| INL | Integral linearity error ⁽¹⁾ | $T_A = -40^\circ\text{C}$ to 85°C | -8 | ±2 | 8 | LSB |
| | | $T_A = -40^\circ\text{C}$ to 105°C | -16 | ±5 | 16 | LSB |
| DNL | Differential nonlinearity | | -1 | | 1 | LSB |
| V_{OS} | Offset error ⁽²⁾ | | -1 | ±0.1 | 1 | mV |
| TCV_{OS} | Offset error thermal drift | | -3.5 | ±1 | 3.5 | μV/°C |
| G_{ERR} | Gain error ⁽²⁾ | | -2% | ±0.5% | 2% | |
| TCG_{ERR} | Gain error thermal drift | | | ±30 | | ppm/°C |
| PSRR | Power-supply rejection ratio | | | 79 | | dB |
| ANALOG INPUTS | | | | | | |
| FSR | Full-scale differential voltage input range | $V_{INP} - V_{INN}$ | | ±320 | | mV |
| | | Specified FSR | -250 | | 250 | mV |
| V_{CM} | Operating common-mode signal ⁽³⁾ | | -160 | | $AVDD$ | mV |
| C_I | Input capacitance to AGND | V_{INP} or V_{INN} | | 7 | | pF |
| C_{ID} | Differential input capacitance | | | 3.5 | | pF |
| R_{ID} | Differential input resistance | | | 12.5 | | kΩ |
| I_{IL} | Input leakage current | $V_{INP} - V_{INN} = \pm 250\text{ mV}$ | -10 | | 10 | μA |
| | | $V_{INP} - V_{INN} = \pm 320\text{ mV}$ | -50 | | 50 | μA |
| CMTI | Common-mode transient immunity | | 15 | | | kV/μs |
| CMRR | Common-mode rejection ratio | V_{IN} from 0 V to 5 V at 0 Hz | | 108 | | dB |
| | | V_{IN} from 0 V to 5 V at 100 kHz | | 114 | | dB |
| EXTERNAL CLOCK | | | | | | |
| t_{CLKIN} | Clock period | | 45.5 | 50 | 200 | ns |
| f_{CLKIN} | Input clock frequency | | 5 | 20 | 22 | MHz |
| Duty _{CLKIN} | Duty cycle | $5\text{ MHz} \leq f_{CLKIN} < 20\text{ MHz}$ | 40% | 50% | 60% | |
| | | $20\text{ MHz} \leq f_{CLKIN} \leq 22\text{ MHz}$ | 45% | 50% | 55% | |
| AC ACCURACY | | | | | | |
| SINAD | Signal-to-noise + distortion | $f_{IN} = 1\text{ kHz}$, $T_A = -40^\circ\text{C}$ to 85°C | 78 | 87 | | dB |
| | | $f_{IN} = 1\text{ kHz}$, $T_A = -40^\circ\text{C}$ to 105°C | 70 | 87 | | dB |
| SNR | Signal-to-noise ratio | $f_{IN} = 1\text{ kHz}$, $T_A = -40^\circ\text{C}$ to 85°C | 84 | 88 | | dB |
| | | $f_{IN} = 1\text{ kHz}$, $T_A = -40^\circ\text{C}$ to 105°C | 83 | 88 | | dB |
| THD | Total harmonic distortion | $f_{IN} = 1\text{ kHz}$, $T_A = -40^\circ\text{C}$ to 85°C | | -96 | -80 | dB |
| | | $f_{IN} = 1\text{ kHz}$, $T_A = -40^\circ\text{C}$ to 105°C | | -96 | -70 | dB |
| SFDR | Spurious-free dynamic range | $f_{IN} = 1\text{ kHz}$, $T_A = -40^\circ\text{C}$ to 85°C | 82 | 96 | | dB |
| | | $f_{IN} = 1\text{ kHz}$, $T_A = -40^\circ\text{C}$ to 105°C | 72 | 96 | | dB |
| DIGITAL INPUTS⁽³⁾ | | | | | | |
| I_{IN} | Input current | $V_{IN} = DVDD$ to DGND | -10 | | 10 | μA |
| C_{IN} | Input capacitance | | | 5 | | pF |
| CMOS Logic Family (CMOS With Schmitt-Trigger) | | | | | | |
| V_{IH} | High-level input voltage | $DVDD = 4.5\text{ V}$ to 5.5 V | 0.7DVDD | | $DVDD + 0.3$ | V |
| V_{IL} | Low-level input voltage | $DVDD = 4.5\text{ V}$ to 5.5 V | -0.3 | | 0.3DVDD | V |
| LVC MOS Logic Family | | | | | | |
| V_{IH} | High-level input voltage | $DVDD = 2.7\text{ V}$ to 3.6 V | 2 | | $DVDD + 0.3$ | V |

(1) Integral nonlinearity is defined as the maximum deviation from a straight line passing through the end-points of the ideal ADC transfer function expressed as number of LSBs or as a percent of the specified 500-mV input range.

(2) Maximum values, including temperature drift, are ensured over the full specified temperature range.

(3) Ensured by design.

Electrical Characteristics (continued)

All minimum/maximum specifications at $T_A = -40^\circ\text{C}$ to 105°C , $AVDD = 4.5\text{ V}$ to 5.5 V , $DVDD = 2.7\text{ V}$ to 5.5 V , $V_{INP} = -250\text{ mV}$ to 250 mV , $V_{INN} = 0\text{ V}$, and sinc^3 filter with $\text{OSR} = 256$, unless otherwise noted.

Typical values are at $T_A = 25^\circ\text{C}$, $AVDD = 5\text{ V}$, and $DVDD = 3.3\text{ V}$.

| PARAMETER | | TEST CONDITIONS | MIN | TYP | MAX | UNIT |
|--------------------------------------|--------------------------------|---|--------------|------|-------|------|
| V_{IL} | Low-level input voltage | $DVDD = 2.7\text{ V}$ to 3.6 V | -0.3 | | 0.8 | V |
| DIGITAL OUTPUTS⁽³⁾ | | | | | | |
| C_{OUT} | Output capacitance | | | 5 | | pF |
| C_{LOAD} | Load capacitance | | | | 30 | pF |
| CMOS Logic Family | | | | | | |
| V_{OH} | High-level output voltage | $DVDD = 4.5\text{ V}$, $I_{OH} = -100\ \mu\text{A}$ | 4.4 | | | V |
| V_{OL} | Low-level output voltage | $DVDD = 4.5\text{ V}$, $I_{OL} = 100\ \mu\text{A}$ | | | 0.5 | V |
| LVC MOS Logic Family | | | | | | |
| V_{OH} | High-level output voltage | $I_{OH} = 20\ \mu\text{A}$ | $DVDD - 0.1$ | | | V |
| | | $I_{OH} = -4\text{ mA}$, $2.7\text{ V} \leq DVDD \leq 3.6\text{ V}$ | $DVDD - 0.4$ | | | V |
| | | $I_{OH} = -4\text{ mA}$, $4.5\text{ V} \leq DVDD \leq 5.5\text{ V}$ | $DVDD - 0.8$ | | | V |
| V_{OL} | Low-level output voltage | $I_{OL} = 20\ \mu\text{A}$ | | | 0.1 | V |
| | | $I_{OL} = 4\text{ mA}$ | | | 0.4 | V |
| POWER SUPPLY | | | | | | |
| $AVDD$ | High-side supply voltage | | 4.5 | 5 | 5.5 | V |
| $DVDD$ | Controller-side supply voltage | | 2.7 | 3.3 | 5.5 | V |
| I_{AVDD} | High-side supply current | $4.5\text{ V} \leq AVDD \leq 5.5\text{ V}$ | | 11 | 16 | mA |
| I_{DVDD} | Controller-side supply current | $2.7\text{ V} \leq DVDD \leq 3.6\text{ V}$ | | 2 | 4 | mA |
| | | $4.5\text{ V} \leq DVDD \leq 5.5\text{ V}$ | | 2.8 | 5 | mA |
| P_D | Power dissipation | $AVDD = 5.5\text{ V}$, $DVDD = 3.6\text{ V}$ | | 61.6 | 102.4 | mW |

6.10 Timing Requirements

Over recommended ranges of supply voltage and operating free-air temperature, unless otherwise noted. (See [Figure 1](#))

| | | MIN | NOM | MAX | UNIT |
|------------|---|------|-----|-----|------|
| t_{CLK} | CLKIN clock period | 45.5 | 50 | 200 | ns |
| t_{HIGH} | CLKIN clock high time | 20 | 25 | 120 | ns |
| t_{LOW} | CLKIN clock low time | 20 | 25 | 120 | ns |
| t_D | Delayed falling edge of CLKIN to DATA valid | 2 | | 15 | ns |

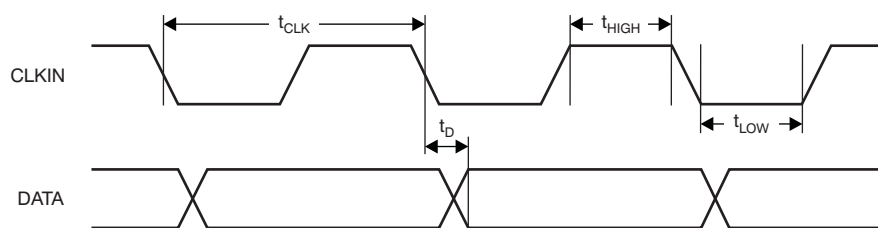
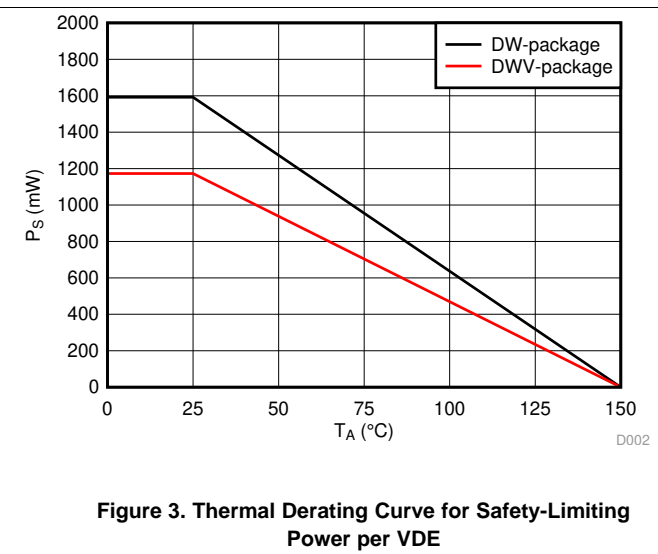
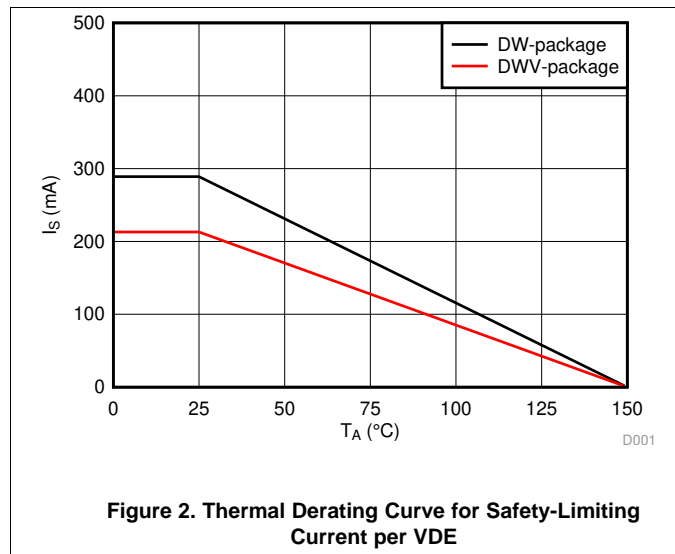


Figure 1. Modulator Output Timing

6.11 Insulation Characteristics Curves



6.12 Typical Characteristics

at AVDD = 5 V, DVDD = 3.3 V, VINP = -250 mV to 250 mV, VINN = 0 V, and sinc³ filter with OSR = 256 (unless otherwise noted)

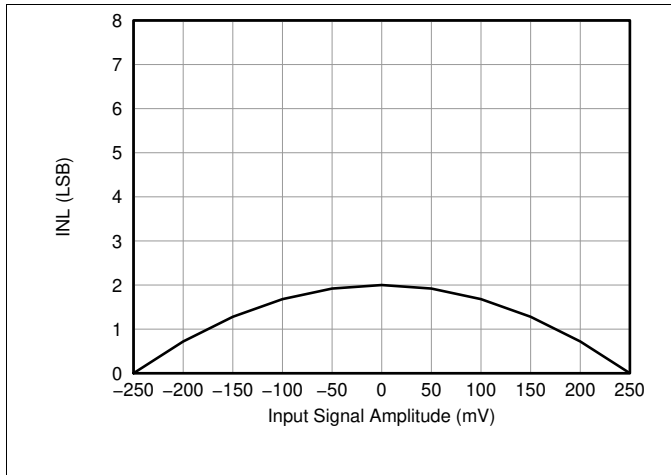


Figure 4. Integral Nonlinearity vs Input Signal Amplitude

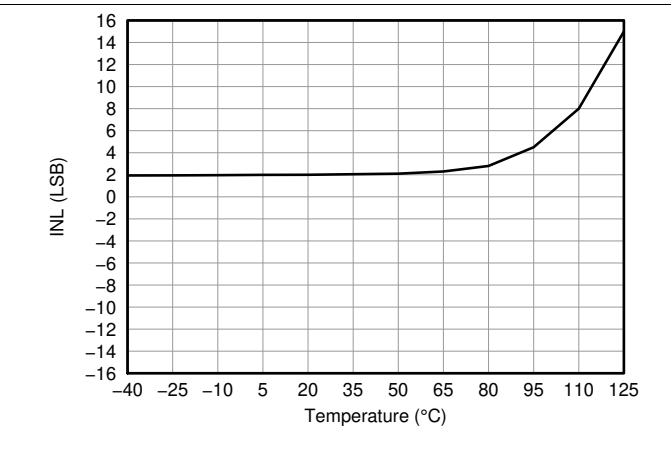


Figure 5. Integral Nonlinearity vs Temperature

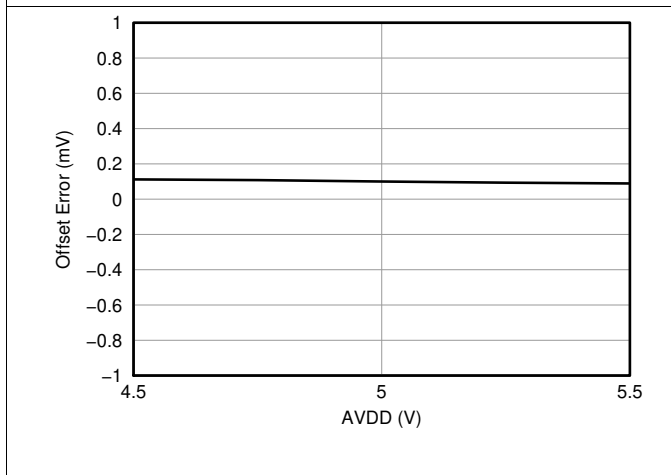


Figure 6. Offset Error vs Analog Supply Voltage

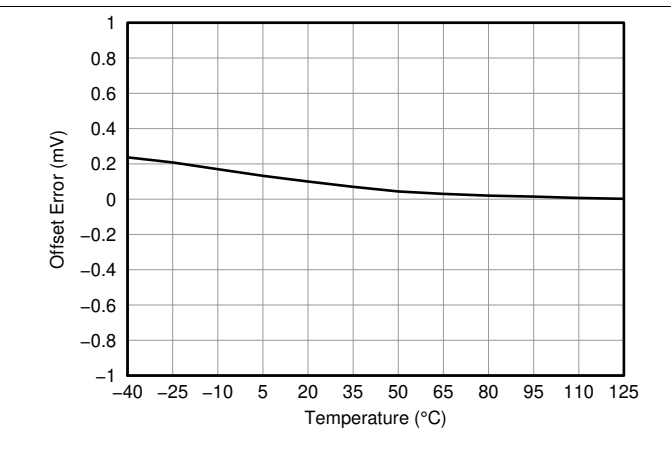


Figure 7. Offset Error vs Temperature

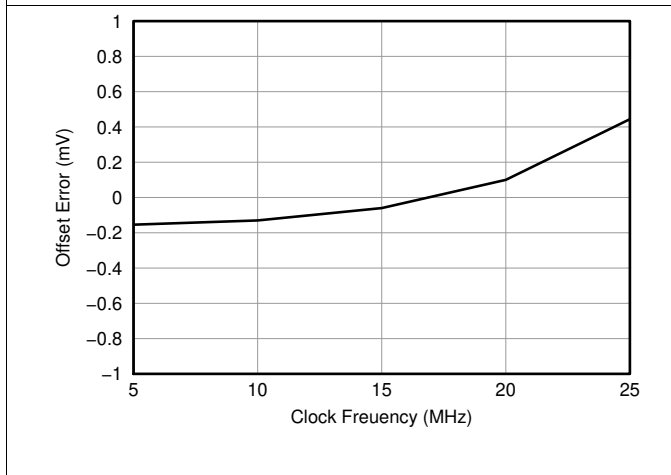


Figure 8. Offset Error vs Clock Frequency

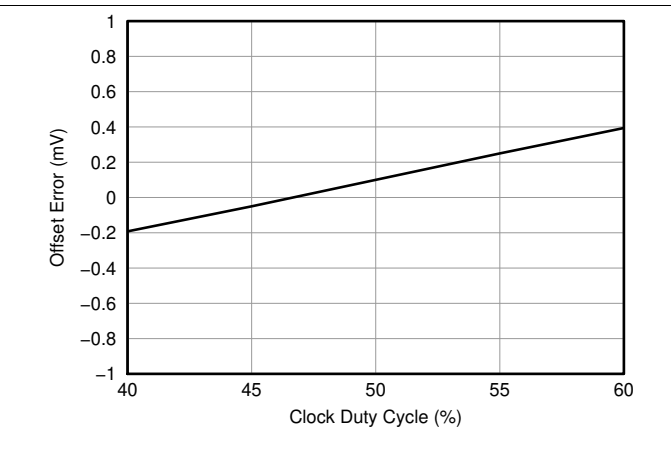
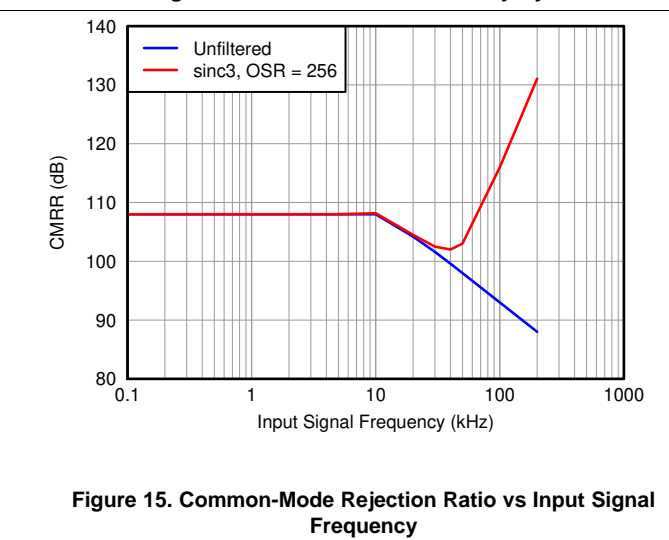
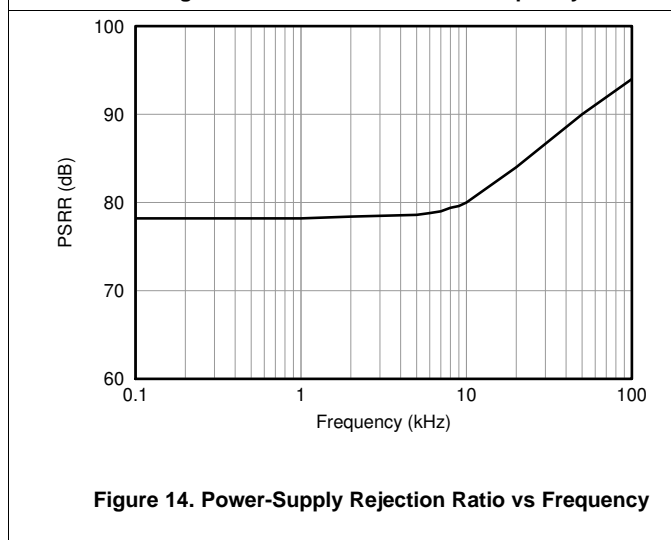
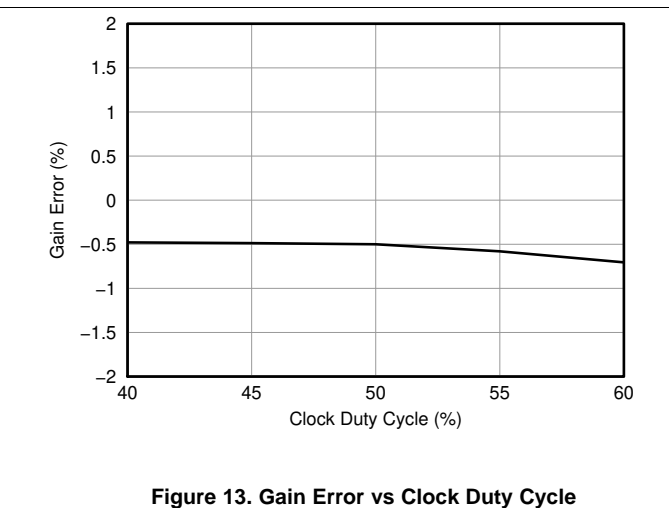
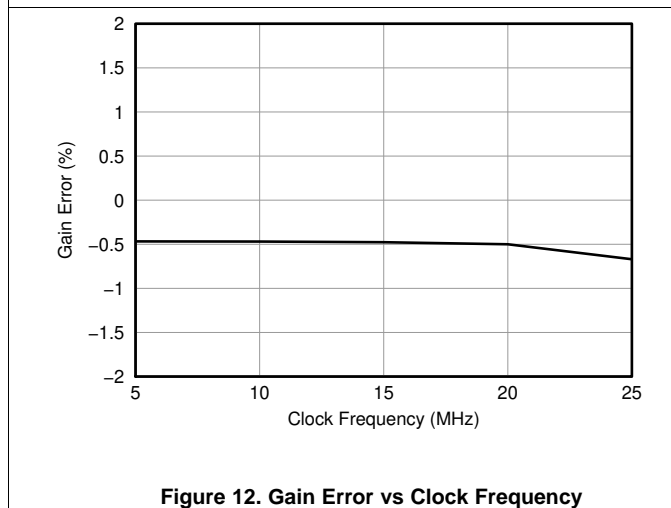
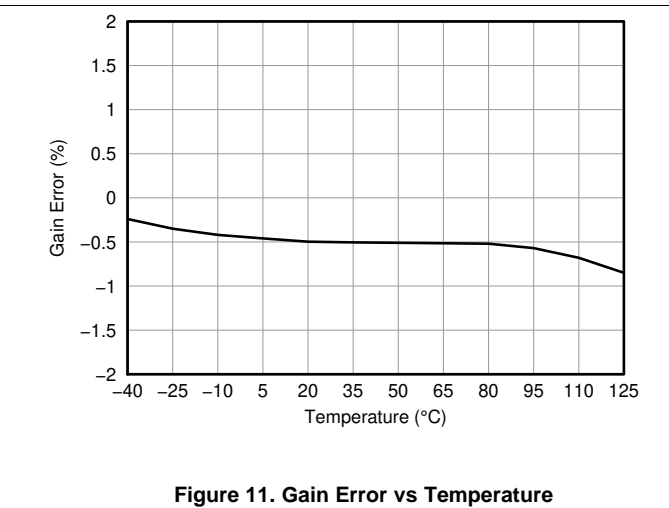
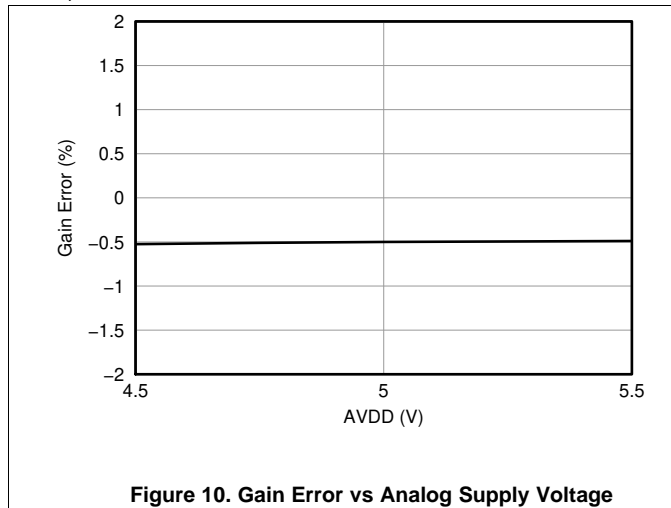


Figure 9. Offset Error vs Clock Duty Cycle

Typical Characteristics (continued)

at AVDD = 5 V, DVDD = 3.3 V, VINP = -250 mV to 250 mV, VINN = 0 V, and sinc³ filter with OSR = 256 (unless otherwise noted)



Typical Characteristics (continued)

at AVDD = 5 V, DVDD = 3.3 V, VINP = -250 mV to 250 mV, VINN = 0 V, and sinc³ filter with OSR = 256 (unless otherwise noted)

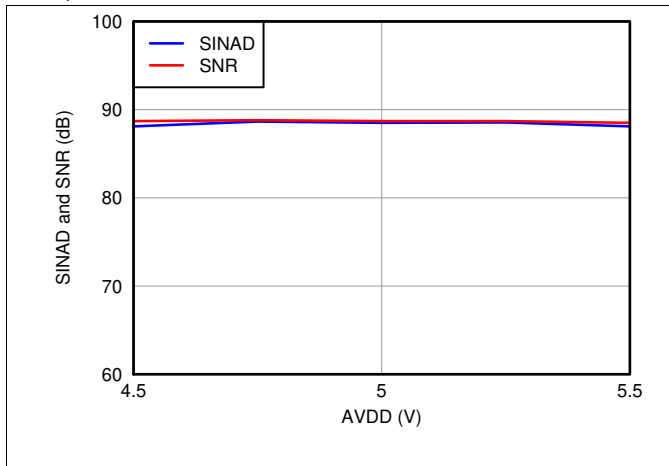


Figure 16. SINAD and SNR vs Analog Supply Voltage

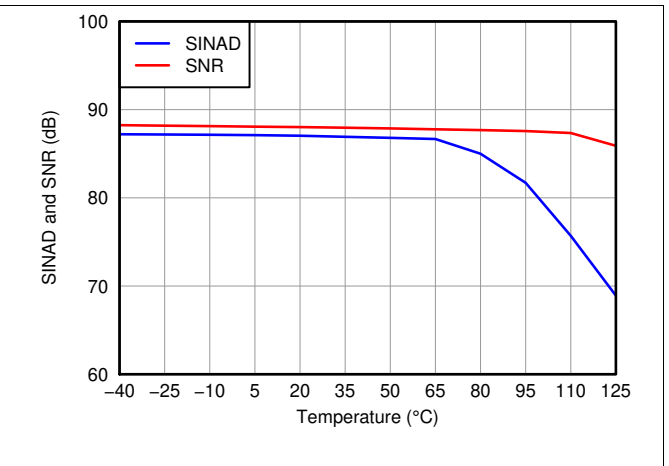


Figure 17. SINAD and SNR vs Temperature

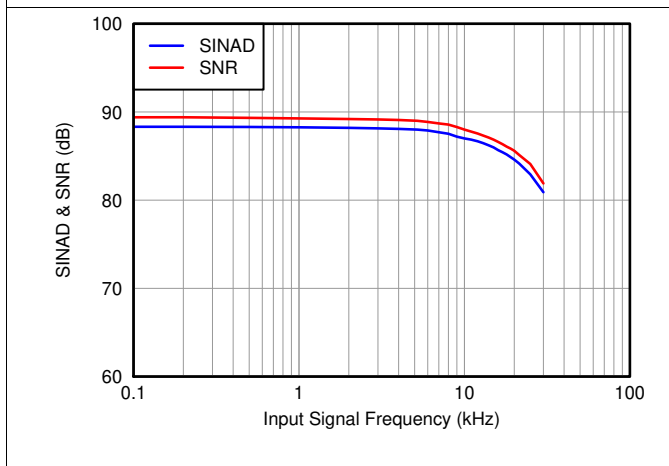


Figure 18. SINAD and SNR vs Input Signal Frequency

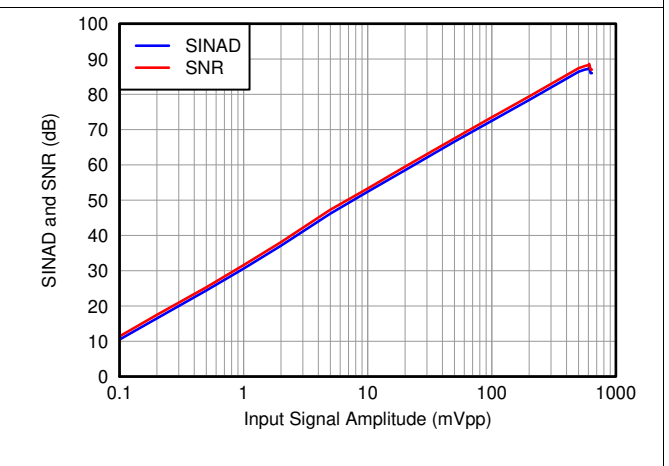


Figure 19. SINAD and SNR vs Input Signal Amplitude

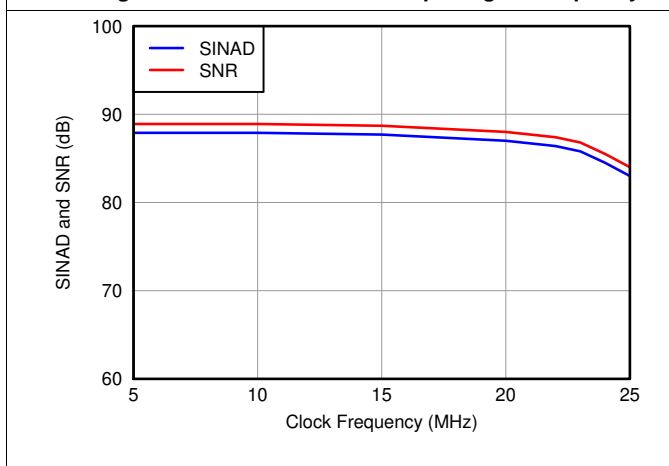


Figure 20. SINAD and SNR vs Clock Frequency

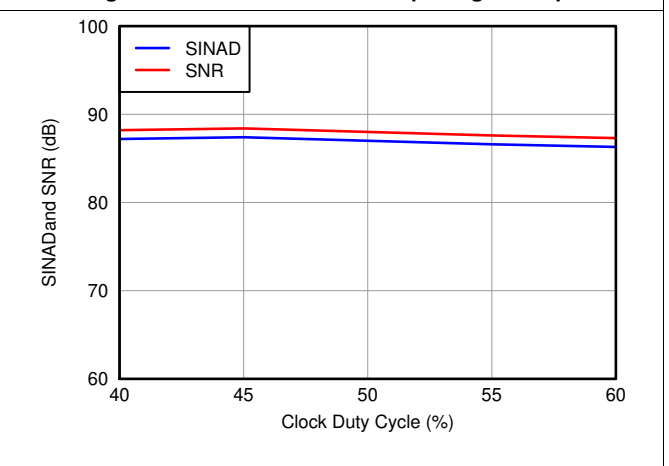
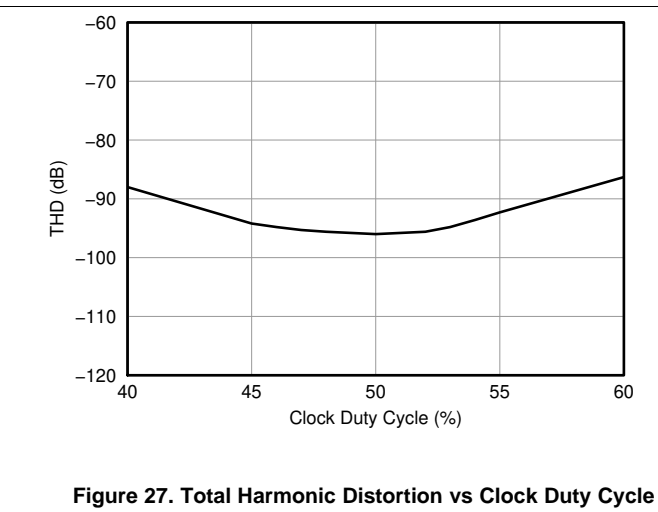
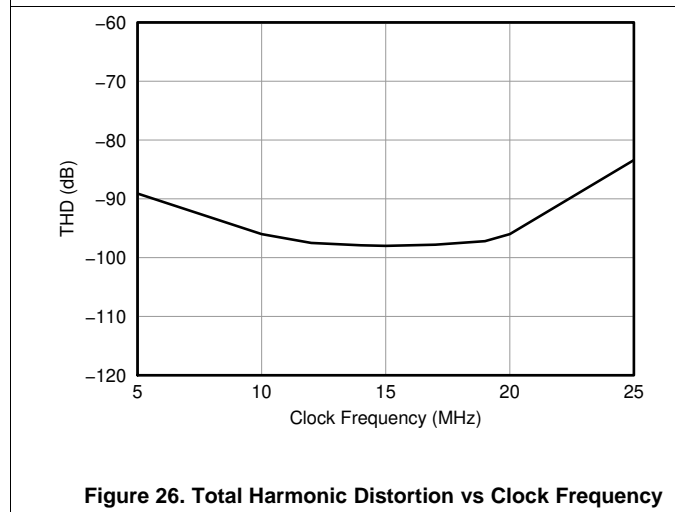
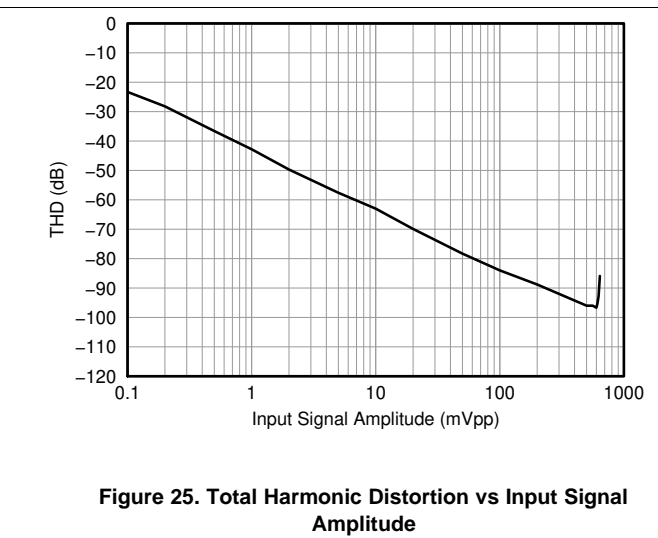
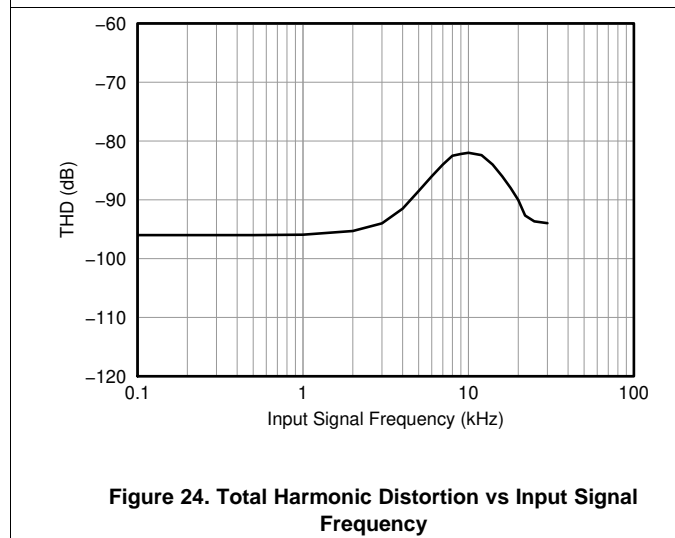
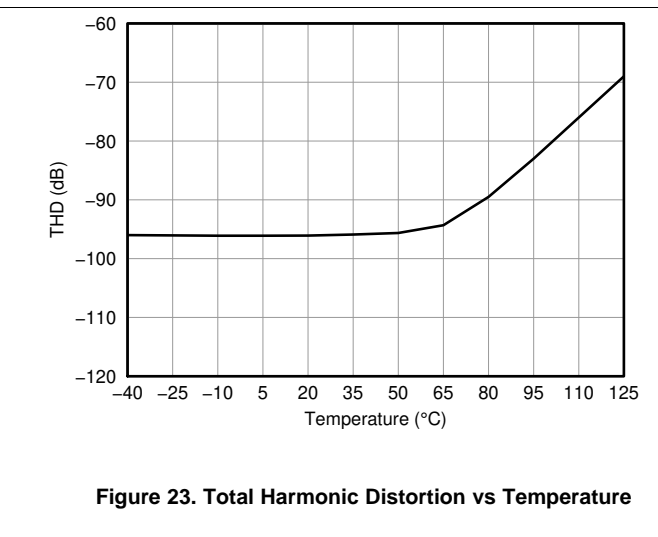
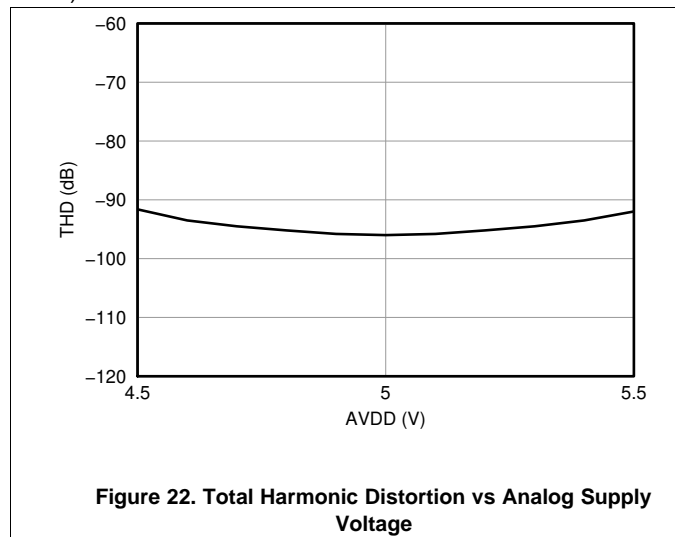


Figure 21. SINAD and SNR vs Clock Duty Cycle

Typical Characteristics (continued)

at AVDD = 5 V, DVDD = 3.3 V, VINP = -250 mV to 250 mV, VINN = 0 V, and sinc³ filter with OSR = 256 (unless otherwise noted)



Typical Characteristics (continued)

at AVDD = 5 V, DVDD = 3.3 V, VINP = -250 mV to 250 mV, VINN = 0 V, and sinc³ filter with OSR = 256 (unless otherwise noted)

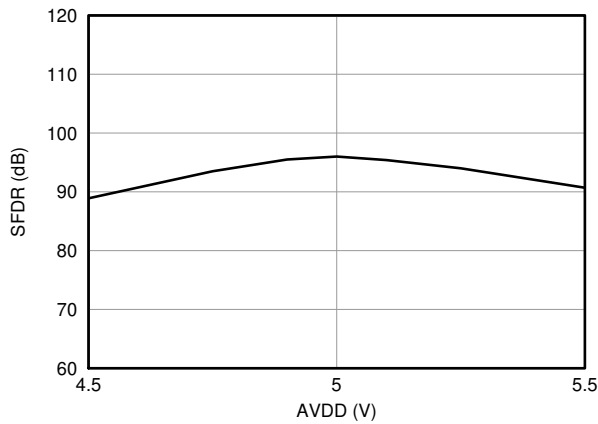


Figure 28. Spurious-Free Dynamic Range vs Analog Supply Voltage

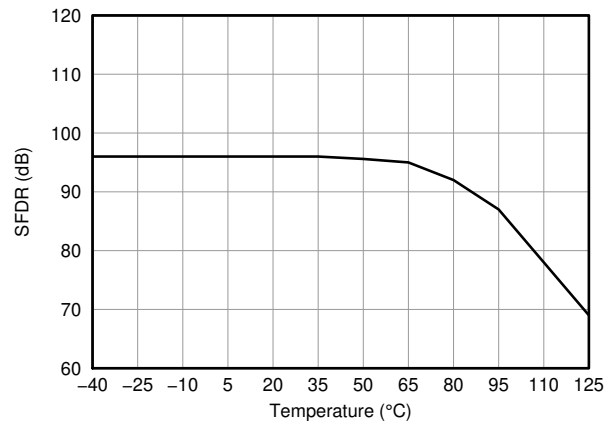


Figure 29. Spurious-Free Dynamic Range vs Temperature

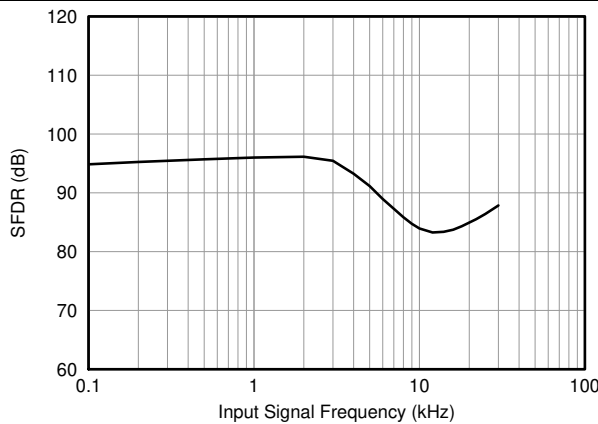


Figure 30. Spurious-Free Dynamic Range vs Input Signal Frequency

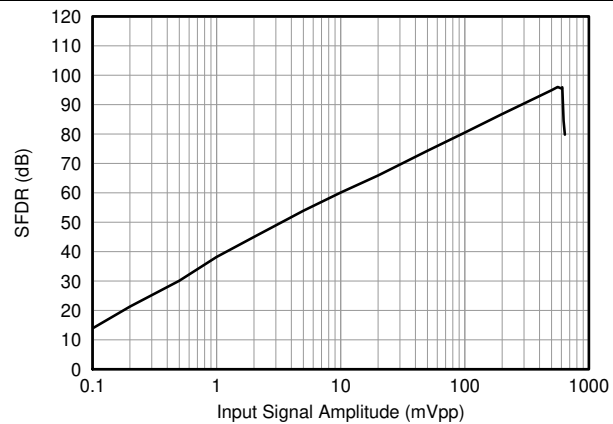


Figure 31. Spurious-Free Dynamic Range vs Input Signal Amplitude

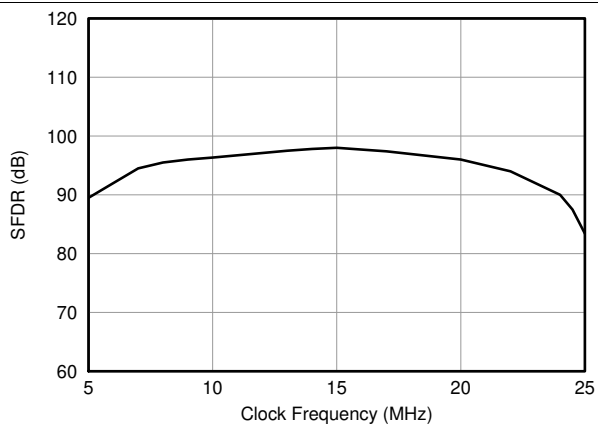


Figure 32. Spurious-Free Dynamic Range vs Clock Frequency

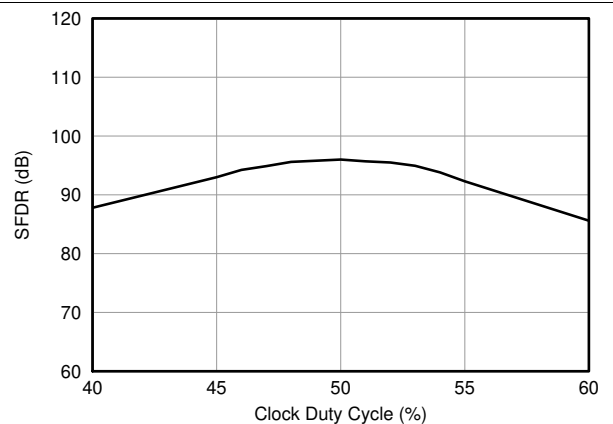


Figure 33. Spurious-Free Dynamic Range vs Clock Duty Cycle

Typical Characteristics (continued)

at AVDD = 5 V, DVDD = 3.3 V, VINP = –250 mV to 250 mV, VINN = 0 V, and sinc³ filter with OSR = 256 (unless otherwise noted)

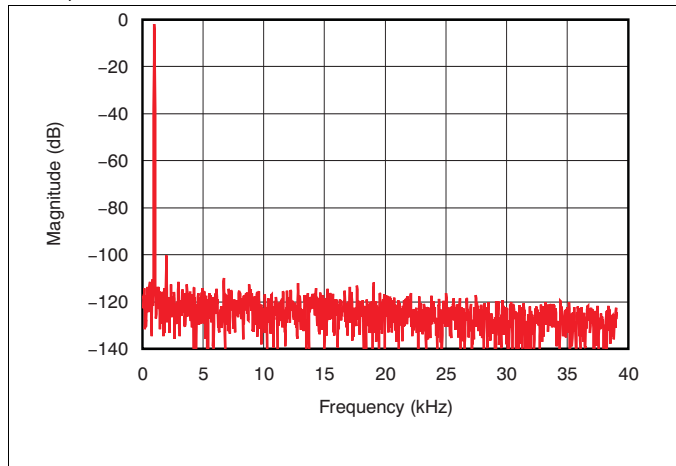


Figure 34. Frequency Spectrum (4096 Point FFT, $f_{IN} = 1$ kHz, 0.56 V_{PP})

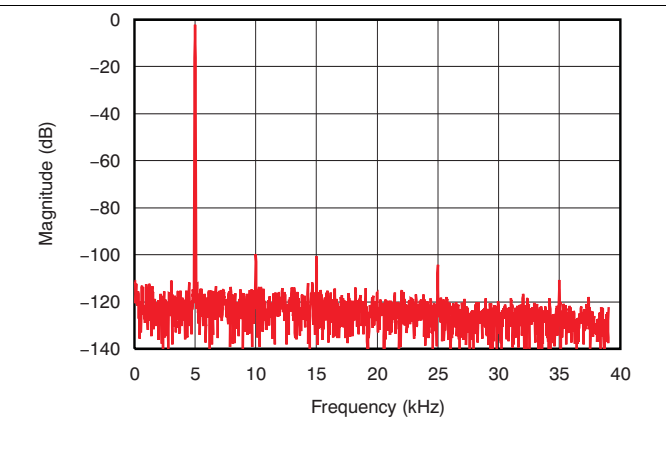


Figure 35. Frequency Spectrum (4096 Point FFT, $f_{IN} = 5$ kHz, 0.56 V_{PP})

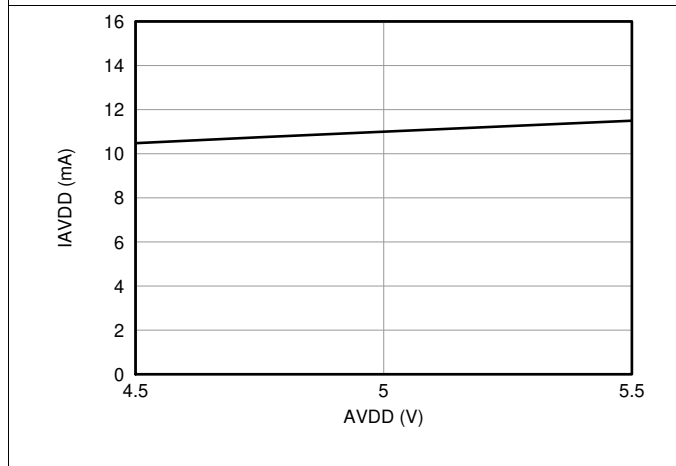


Figure 36. Analog Supply Current vs Analog Supply Voltage

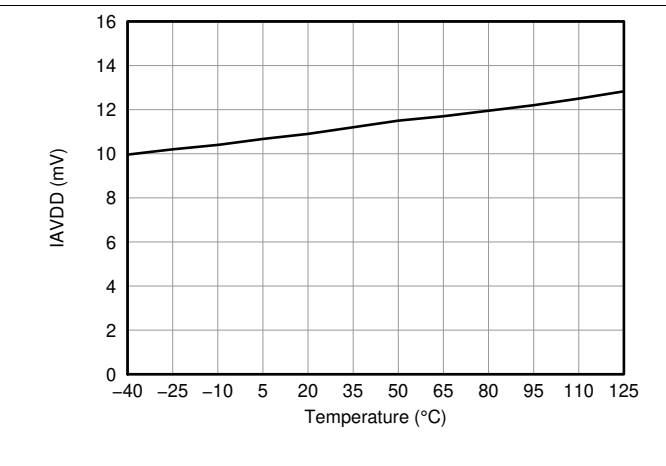


Figure 37. Analog Supply Current vs Temperature

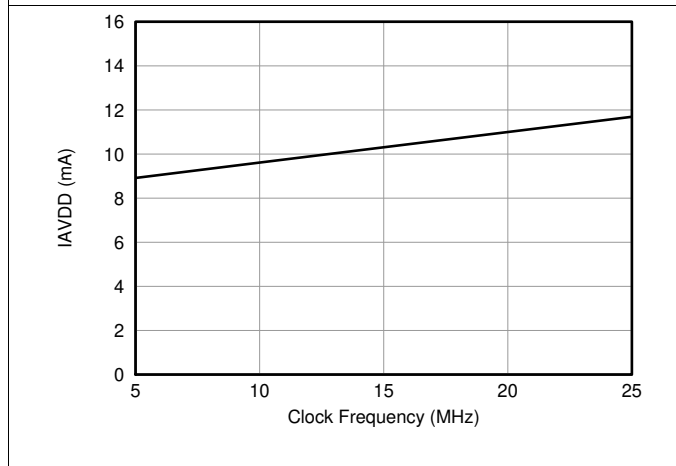


Figure 38. Analog Supply Current vs Clock Frequency

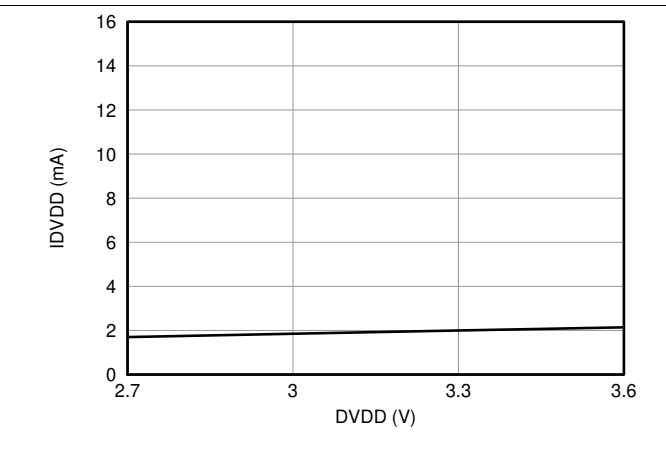


Figure 39. Digital Supply Current vs Digital Supply Voltage (3 V)

Typical Characteristics (continued)

at AVDD = 5 V, DVDD = 3.3 V, VINP = -250 mV to 250 mV, VINN = 0 V, and sinc³ filter with OSR = 256 (unless otherwise noted)

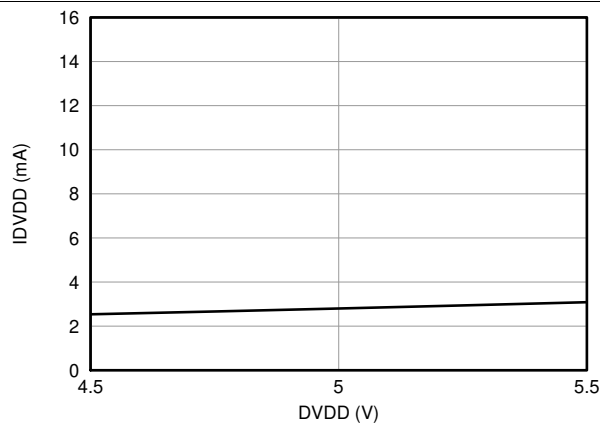


Figure 40. Digital Supply Current vs Digital Supply Voltage (5 V)

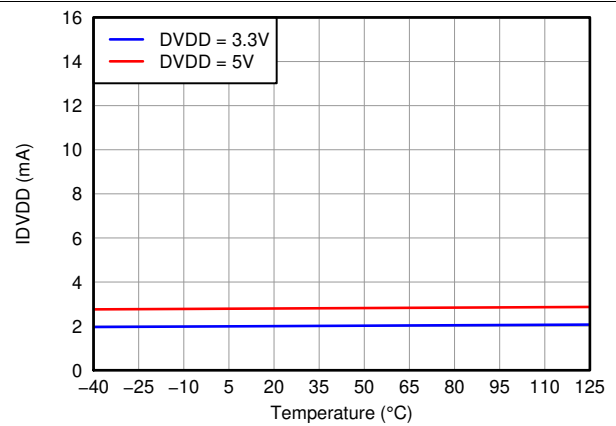


Figure 41. Digital Supply Current vs Temperature

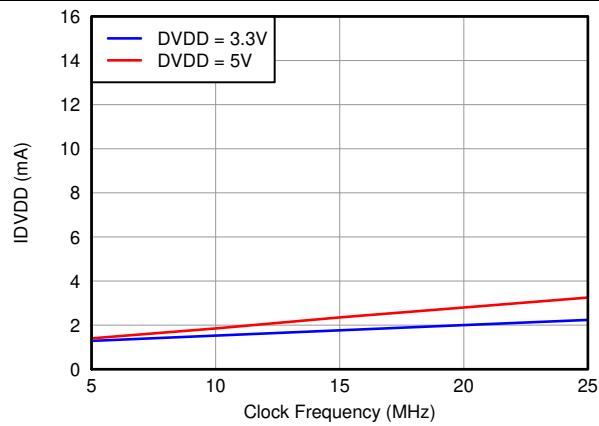


Figure 42. Digital Supply Current vs Clock Frequency

7 Detailed Description

7.1 Overview

The AMC1204 and AMC1204B are single-channel, second-order, delta-sigma ($\Delta\Sigma$) modulators designed for medium- to high-resolution analog-to-digital conversions. The isolated output of the converter (DATA) provides a stream of digital ones and zeros accurately representing the analog input voltage over time. The time average of this serial output is proportional to the analog input voltage.

The *Functional Block Diagram* shows a detailed block diagram of the AMC1204 and AMC1204B. The analog input range is tailored to directly accommodate the voltage drop across a shunt resistor used for current sensing. The SiO₂-based capacitive isolation barrier supports a high level of magnetic field immunity as described in the *ISO72x Digital Isolator Magnetic-Field Immunity application report*. The external clock input simplifies the synchronization of multiple current sense channels on system level. The extended frequency range of up to 20 MHz supports higher performance levels compared to the other solutions available on the market.

7.2 Functional Block Diagram

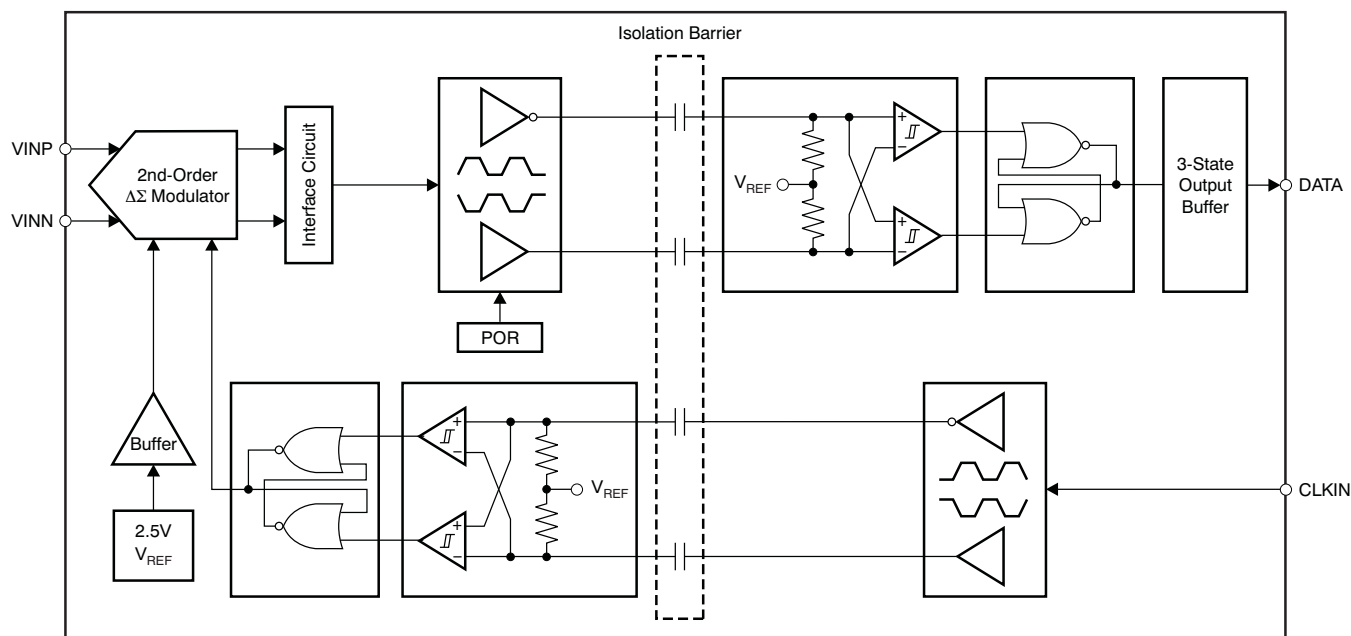


Figure 43. Detailed Block Diagram

7.3 Feature Description

7.3.1 Analog Input

The differential analog input of the AMC1204 and AMC1204B is implemented with a switched-capacitor circuit.

The AMC1204 and AMC1204B measure the differential input signal $V_{IN} = (V_{INP} - V_{INN})$ against the internal reference of 2.5 V using internal capacitors that are continuously charged and discharged. Figure 44 shows the simplified schematic of the AMC1204 and AMC1204B input circuitry; the right side of Figure 44 illustrates the input circuitry with the capacitors and switches replaced by an equivalent circuit.

In Figure 44, the S_1 switches close during the input sampling phase. With the S_1 switches closed, C_{DIFF} charges to the voltage difference across V_{INP} and V_{INN} . For the discharge phase, both S_1 switches open first and then both S_2 switches close. C_{DIFF} discharges approximately to $AGND + 0.8\text{ V}$ during this phase. This two-phase sample/discharge cycle repeats with a period of $t_{CLKIN} = 1/f_{CLKIN}$. f_{CLKIN} is the operating frequency of the modulator. The capacitors C_{IP} and C_{IN} are of parasitic nature and caused by bonding wires and the internal ESD protection structure.

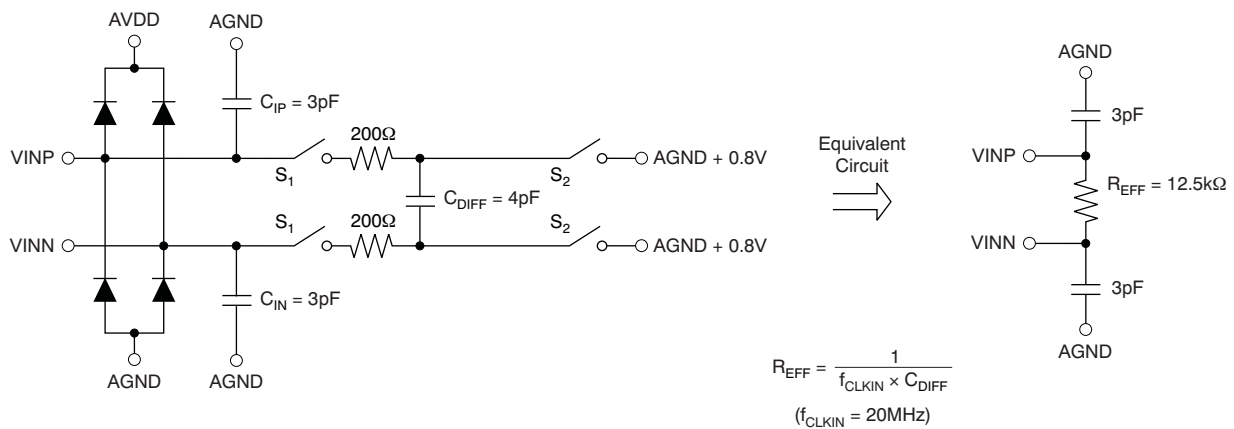


Figure 44. Equivalent Analog Input Circuit

There are two restrictions on the analog input signals V_{INP} and V_{INN} . First, if the input voltage exceeds the range $AGND - 0.5\text{ V}$ to $AVDD + 0.3\text{ V}$, the input current must be limited to 10 mA because the input protection diodes on the front end of the converter begin to turn on. In addition, the linearity and the noise performance of the device are ensured only when the differential analog input voltage remains within $\pm 250\text{ mV}$.

7.3.2 Modulator

The modulator topology of the AMC1204 and AMC1204B is fundamentally a second-order, switched-capacitor, $\Delta\Sigma$ modulator, such as the one conceptualized in Figure 45. The analog input voltage ($X_{(t)}$) and the output of the 1-bit digital-to-analog converter (DAC) are differentiated, providing an analog voltage (X_2) at the input of the first integrator or modulator stage. The output of the first integrator is further differentiated with the DAC output; the resulting voltage (X_3) feeds the input of the second integrator stage. When the value of the integrated signal (X_4) at the output of the second stage equals the comparator reference voltage, the output of the comparator switches from high to low, or vice versa, depending on its previous state. In this case, the 1-bit DAC responds on the next clock pulse by changing its analog output voltage (X_6), causing the integrators to progress in the opposite direction, while forcing the value of the integrator output to track the average of the input.

Feature Description (continued)

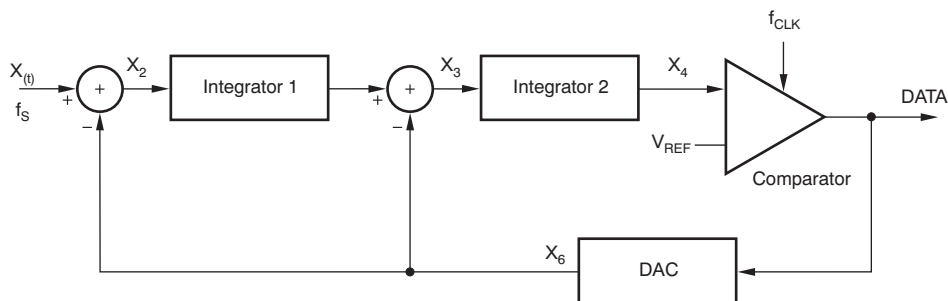


Figure 45. Block Diagram Of A Second-Order Modulator

The modulator shifts the quantization noise to high frequencies, as shown in Figure 46; therefore, a low-pass digital filter should be used at the output of the device to increase the overall performance. This filter is also used to convert from the 1-bit data stream at a high sampling rate into a higher-bit data word at a lower rate (decimation). A digital signal processor (DSP), microcontroller (μ C), or field programmable gate array (FPGA) can be used to implement the filter.

TI's microcontroller family TMS320F28x7x offers a suitable programmable, hardwired filter structure termed a *sigma-delta filter module* (SDFM) optimized for usage with the AMC1204, AMC1304 and AMC1305 devices. Also, the SD24_B converters on the MSP430F677x microcontrollers offer a path to directly access the integrated sinc-filters, thus offering a system-level solution for multichannel isolated current sensing. Another option is to use a suitable application-specific device such as the AMC1210, a four-channel digital sinc-filter.

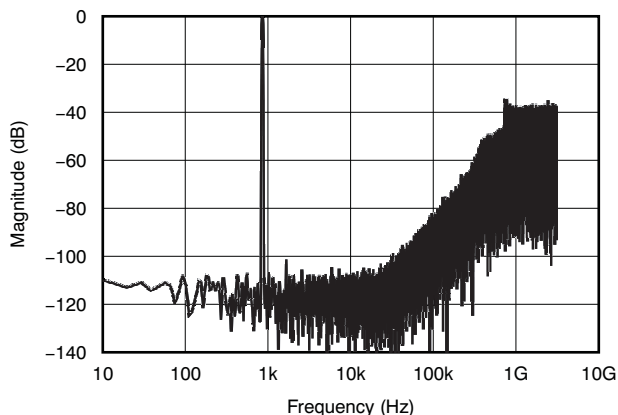


Figure 46. Quantization Noise Shaping

Feature Description (continued)

7.3.3 Digital Output

A differential input signal of 0 V ideally produces a stream of ones and zeros that are high 50% of the time and low 50% of the time. A differential input of 250 mV produces a stream of ones and zeros that are high 89.06% of the time. A differential input of –250 mV produces a stream of ones and zeros that are high 10.94% of the time. This is also the specified linear input range of the modulator with the performance as specified in this data sheet. The range between 250 mV and 320 mV (absolute values) is the non-linear range of the modulator. The output of the modulator clips with a stream of only zeros with an input less than or equal to –320 mV or with a stream of only ones with an input greater than or equal to 320 mV. The input voltage versus the output modulator signal is shown in [Figure 47](#).

The system clock of the AMC1204 and AMC1204B is typically 20 MHz and is provided externally at the CLKIN pin. The data are synchronously provided at 20 MHz at the DATA output pin. The data are changing at the falling edge of CLKIN; for more details see the [Timing Requirements](#) section.

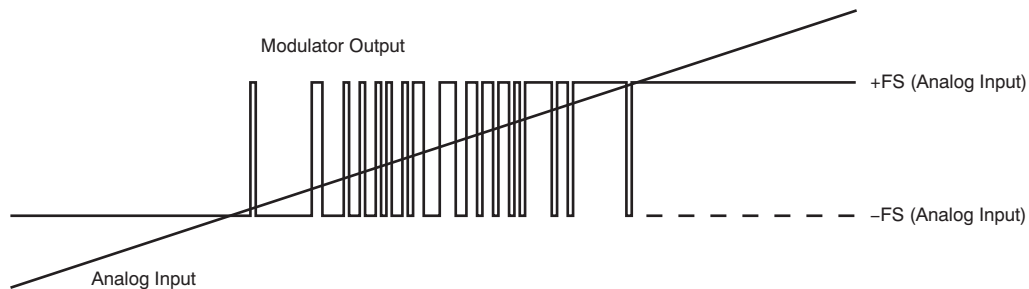


Figure 47. Analog Input Versus Amc1204 Modulator Output

7.4 Device Functional Modes

The AMC1204 is operational when the power supplies AVDD and DVDD are applied as specified in the [Recommended Operating Conditions](#) section.

The AMC1204 has no additional functional modes.

8 Application and Implementation

NOTE

Information in the following applications sections is not part of the TI component specification, and TI does not warrant its accuracy or completeness. TI's customers are responsible for determining suitability of components for their purposes. Customers should validate and test their design implementation to confirm system functionality.

8.1 Application Information

8.1.1 Digital Filter Usage

The modulator generates a bit stream that is processed by a digital filter to obtain a digital word similar to a conversion result of a conventional analog-to-digital converter (ADC). A very simple filter, built with minimal effort and hardware, is a sinc³-type filter, as shown in Equation 1:

$$H(z) = \left(\frac{1 - z^{-OSR}}{1 - z^{-1}} \right)^3 \quad (1)$$

This filter provides the best output performance at the lowest hardware size (count of digital gates). For an oversampling rate (OSR) in the range of 16 to 256, this filter is a good choice. All the characterization in this document is also done with a sinc³ filter with OSR = 256 and an output word width of 16 bits.

In a sinc³ filter response (shown in Figure 48 and Figure 49), the location of the first notch occurs at the frequency of output data rate $f_{DATA} = f_{CLK}/OSR$. The -3-dB point is located at half the Nyquist frequency or $f_{DATA}/4$. For some applications, it may be necessary to use another filter type with different frequency response. Performance can be improved, for example, by using a cascaded filter structure. The first decimation stage could be built of a sinc³ filter with a low OSR and the second stage using a high-order filter.

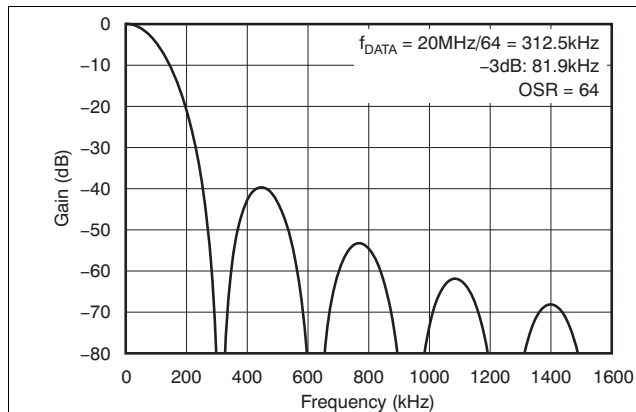


Figure 48. Frequency Response Of The Sinc³ Filter

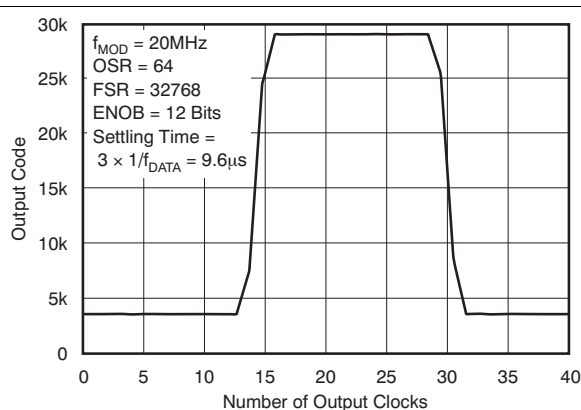


Figure 49. Pole Response Of The Sinc³ Filter

The effective number of bits (ENOB) is often used to compare the performance of ADCs and $\Delta\Sigma$ modulators. Figure 51 illustrates the ENOB of the AMC1204 and AMC1204B with different oversampling ratios. In this data sheet, this number is calculated from SNR using Equation 2:

$$\text{SNR} = 1.76\text{dB} + 6.02\text{dB} \times \text{ENOB} \quad (2)$$

An example code for an implementation of a sinc³ filter in an FPGA follows. For more information, see the [Combining ADS1202 with FPGA Digital Filter for Current Measurement in Motor Control Applications](#) application note, available for download at www.ti.com.

Application Information (continued)

```

library IEEE;
use IEEE.std_logic_1164.all;
use IEEE.std_logic_unsigned.all;

entity FLT is
  port(RESN, MOUT, MCLK, CNR : in std_logic;
       CN5 : out std_logic_vector(23 downto 0));
end FLT;

architecture RTL of FLT is
  signal DN0, DN1, DN3, DN5 : std_logic_vector(23 downto 0);
  signal CN1, CN2, CN3, CN4 : std_logic_vector(23 downto 0);
  signal DELTA1 : std_logic_vector(23 downto 0);
begin

  process(MCLK, RESn)
  begin
    if RESn = '0' then
      DELTA1 <= (others => '0');
    elsif MCLK'event and MCLK = '1' then
      if MOUT = '1' then
        DELTA1 <= DELTA1 + 1;
      end if;
    end if;
  end process;

  process(RESN, MCLK)
  begin
    if RESN = '0' then
      CN1 <= (others => '0');
      CN2 <= (others => '0');
    elsif MCLK'event and MCLK = '1' then
      CN1 <= CN1 + DELTA1;
      CN2 <= CN2 + CN1;
    end if;
  end process;

  process(RESN, CNR)
  begin
    if RESN = '0' then
      DN0 <= (others => '0');
      DN1 <= (others => '0');
      DN3 <= (others => '0');
      DN5 <= (others => '0');
    elsif CNR'event and CNR = '1' then
      DN0 <= CN2;
      DN1 <= DN0;
      DN3 <= CN3;
      DN5 <= CN4;
    end if;
  end process;

  CN3 <= DN0 - DN1;
  CN4 <= CN3 - DN3;
  CN5 <= CN4 - DN5;

end RTL;

```


8.2 Typical Application

8.2.1 Frequency Inverter Application

Because of their high AC and DC performance, isolated $\Delta\Sigma$ modulators are being widely used in new generation frequency inverter designs. Frequency inverters are critical parts of industrial motor drives, photovoltaic inverters (string and central inverters), uninterruptible power supplies (UPS), electrical and hybrid vehicles, and other industrial applications. The input structure of the AMC1204 is optimized for use with low-impedance shunt resistors and is therefore tailored for isolated current sensing using shunts.

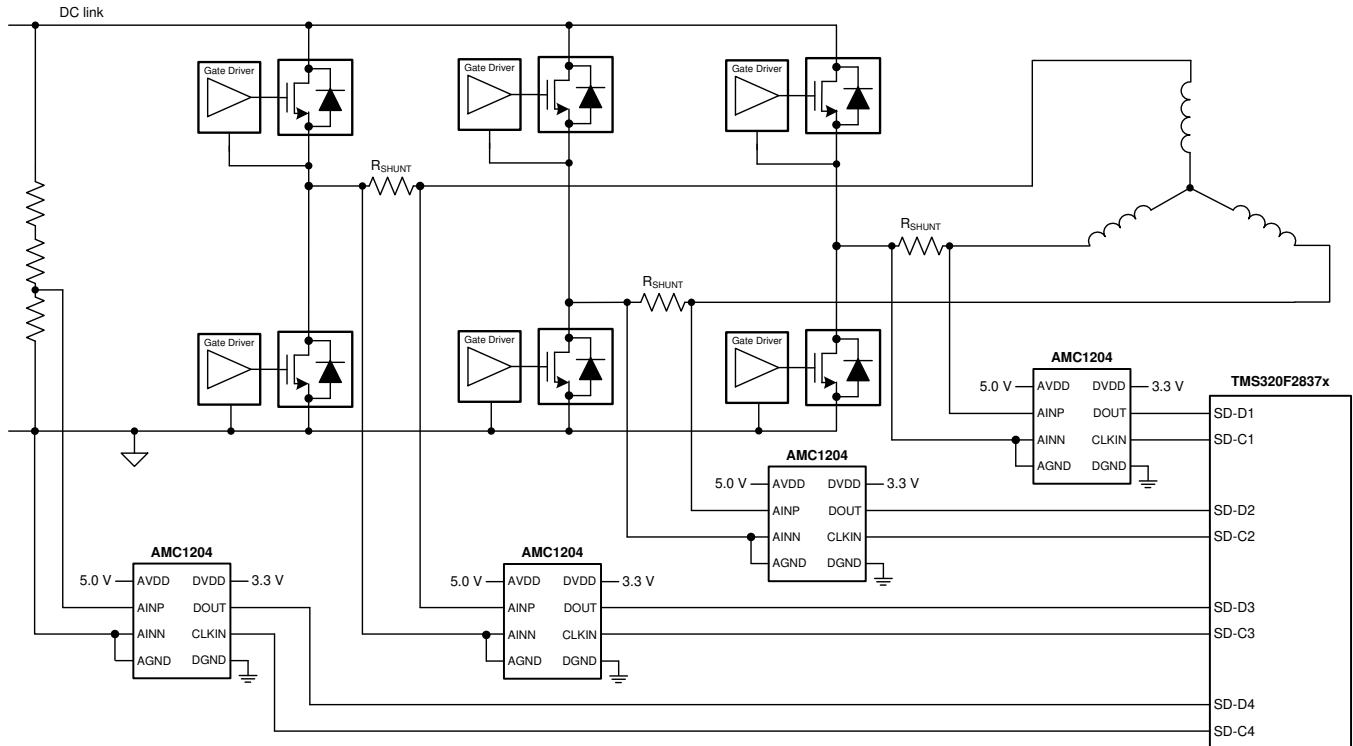


Figure 50. AMC1204 in a Frequency Inverter Application

8.2.1.1 Design Requirements

Figure 50 shows a diagram of the AMC1204 in a typical frequency inverter. When the inverter stage is part of a motor drive system, measurement of the motor phase current is done via the shunt resistors (R_{SHUNT}). Depending on the system design, either all three or only two phase currents are sensed.

In this example, an additional AMC1204 is used for isolated sensing of the DC link voltage. This high DC link voltage is reduced using a high-impedance resistive divider before being sensed by the AMC1204 across a smaller resistor. It is important to consider that the value of the resistor in the voltage divider can potentially degrade the performance of the measurement. Such phenomenon is described in the [Isolated Voltage Sensing](#) section.

8.2.1.2 Detailed Design Procedure

For modulator output bit-stream filtering, TI recommends a device from TI's [TMS320F28x7x](#) family of MCUs. This family supports up to eight channels of dedicated hardwired filter structures that significantly simplify system level design by offering two filtering paths per channel: one providing high accuracy results for the control loop and one fast response path for overcurrent detection.

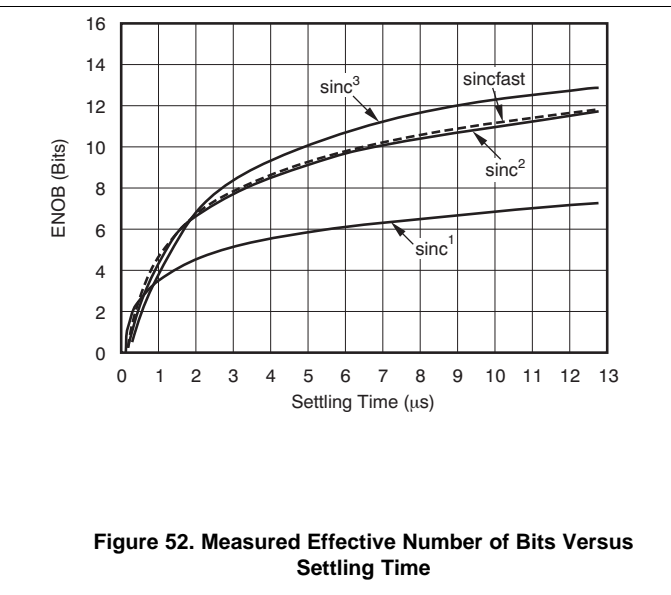
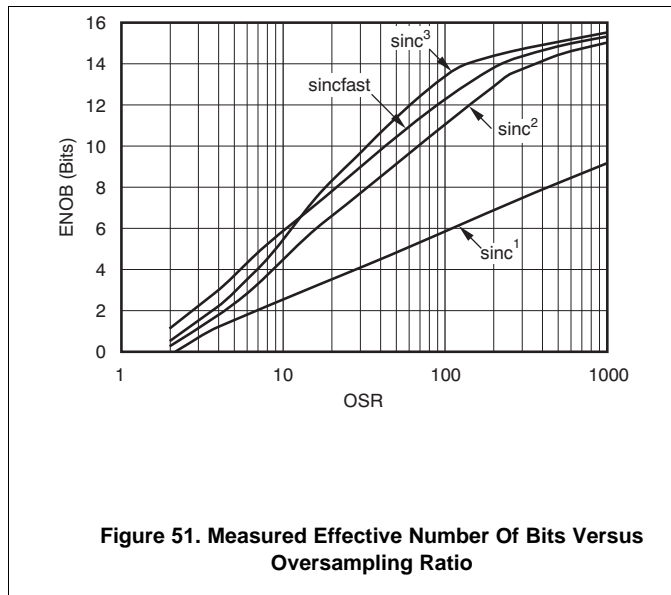
Typical Application (continued)

8.2.1.3 Application Curves

In motor control applications, a very fast response time for overcurrent detection is required. The time for fully settling the filter in case of a step-signal at the input of the modulator depends on its order; that is, a sinc³ filter requires three data updates for full settling (with $f_{DATA} = f_{CLK} / OSR$). Therefore, for overcurrent protection, filter types other than sinc³ might be better choices. An alternative is, for example, the sinc² filter. Figure 52 compares the settling times of different filter orders.

Sincfast is a modified sinc² filter whose transfer function follows Equation 3.

$$H(z) = \left(\frac{1 - z^{-OSR}}{1 - z^{-1}} \right)^2 (1 + z^{-2OSR}) \tag{3}$$



In the case of a continuous signal fed into a sinc filter, the time delay for such signal corresponds to half of the settling time shown in Figure 52.

Typical Application (continued)

8.2.2 Example of a Resolver-Based Motor Control Analog Front End

Figure 53 shows an example of two AMC1204 and AMC1204B devices and one ADS1209 (a dual-channel, 10-MHz, non-isolated modulator) connected to an AMC1210, building the entire analog front end of a resolver-based motor control application.

For detailed information on the ADS1209 and AMC1210, visit the respective device product folders at www.ti.com.

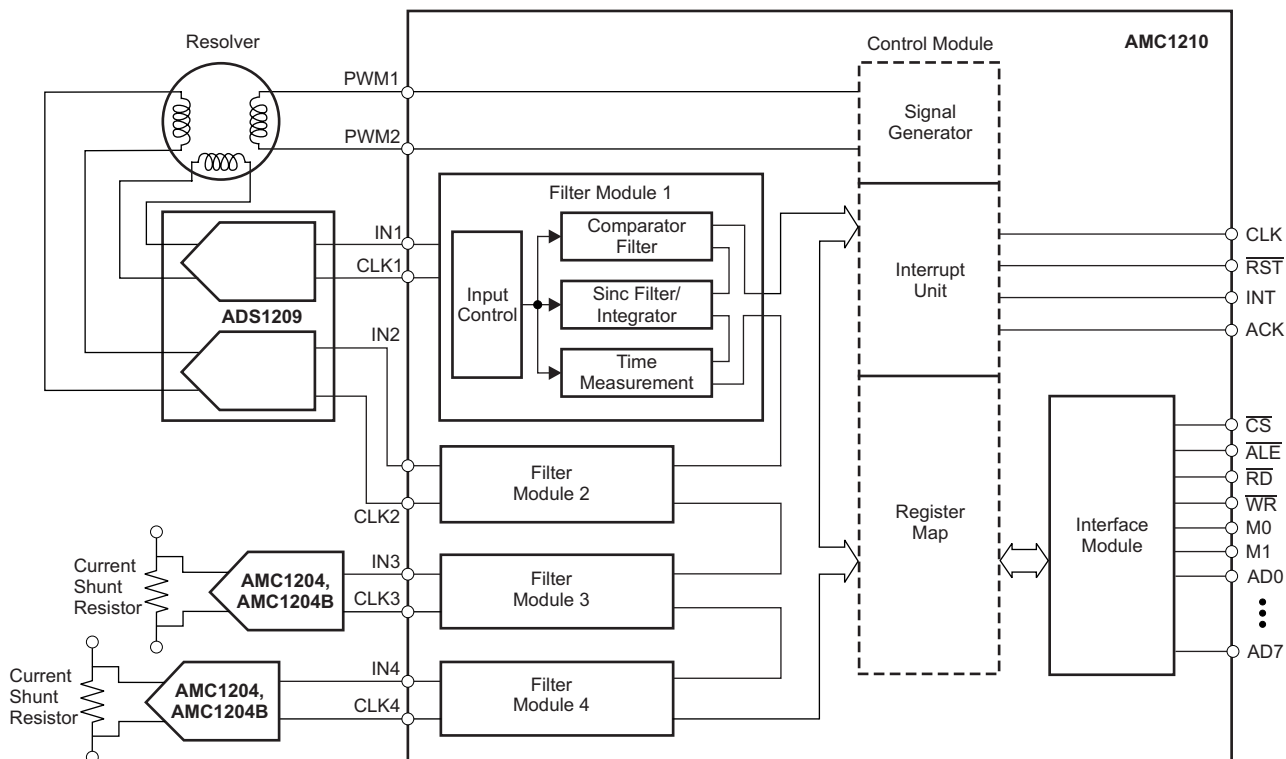


Figure 53. Example of a Resolver-Based Motor Control Analog Front End Schematic

8.2.3 Isolated Voltage Sensing

The AMC1204 is optimized for current-sensing applications using low-impedance shunts. However, the device can also be used in isolated voltage-sensing applications if the impact of the (usually higher) impedance of the resistor used in this case is considered. Figure 54 shows a simplified circuit typically used in high-voltage sensing applications.

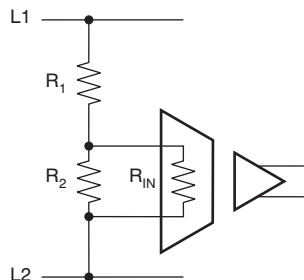


Figure 54. Voltage Measurement Application

Typical Application (continued)

8.2.3.1 Design Requirements

In such applications, a resistor divider (R_1 and R_2) is used to match the relatively small input voltage range of the AMC device. R_2 and the input resistance R_{IN} of the AMC1204 also create a resistor divider resulting in additional gain error. With the assumption that R_1 and R_{IN} have a considerably higher value than R_2 , use Equation 4 to estimate the resulting total gain error.

$$G_{ERRTOT} = G_{ERR} + \frac{R_2}{R_{IN}}$$

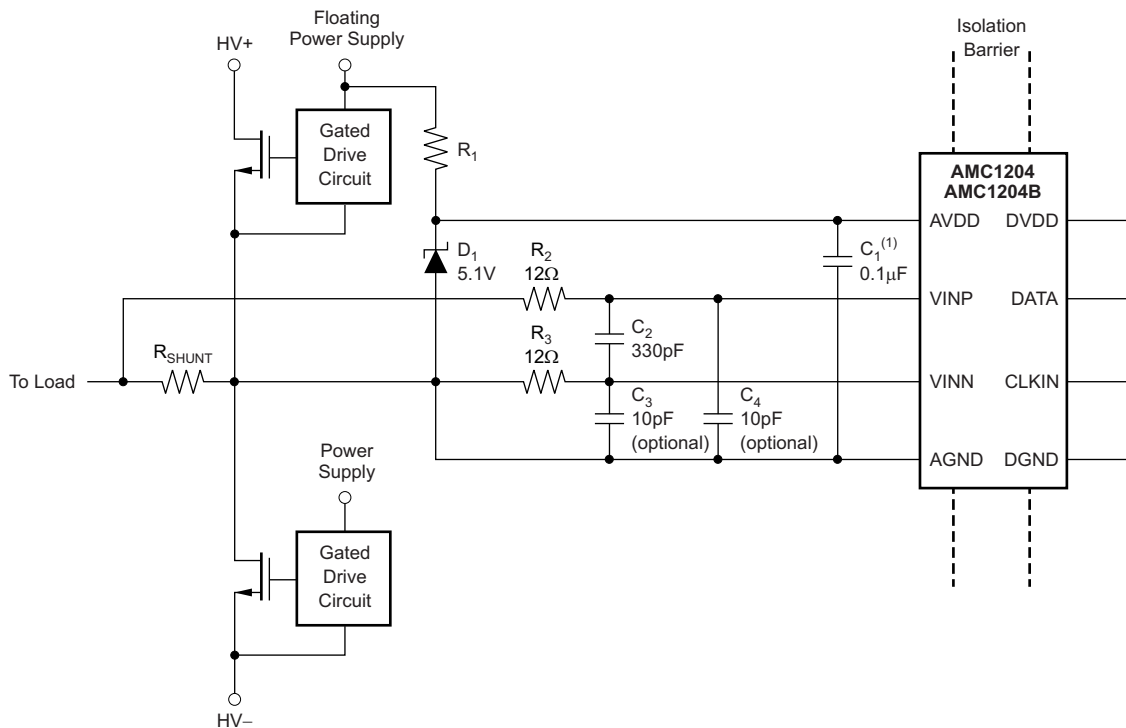
where

- G_{ERR} = the gain error of AMC device.

(4)

9 Power Supply Recommendations

In a typical frequency inverter application, the high-side power supply (AVDD) for the AMC1204 and AMC1204B is derived from the power supply of the upper gate driver. For lowest cost, a Zener diode can be used to limit the voltage to $5\text{ V} \pm 10\%$. TI recommends a decoupling capacitor of $0.1\text{ }\mu\text{F}$ for filtering this power-supply path. This capacitor (C_1 in Figure 55) should be placed as close as possible to the AVDD pin for best performance. If better filtering is required, an additional $1\text{-}\mu\text{F}$ to $10\text{-}\mu\text{F}$ capacitor can be used. The floating ground reference AGND is derived from the end of the shunt resistor, which is connected to the negative input (VINN) of the AMC1204 and AMC1204B. If a four-terminal shunt is used, the inputs of AMC1204 and AMC1204B are connected to the inner leads, while AGND is connected to one of the outer leads of the shunt. Both digital signals, CLKIN and DATA, can be directly connected to a digital filter.



(1) Place C_1 close to the AMC1204 and AMC1204B.

Figure 55. Zener-Diode-Based High-Side Power Supply

For better performance, the differential input signal is filtered using RC filters (components R_2 , R_3 , and C_2). Optionally, C_3 and C_4 can be used to reduce charge dumping from the inputs. In this case, care should be taken when choosing the quality of these capacitors: any mismatch in the capacitor values can cause a common-mode error at the input of the modulator.

10 Layout

10.1 Layout Guidelines

- Place the decoupling capacitors for AVDD and DVDD as close as possible to the AMC1204.
- Ensure that the traces that connect the shunt resistor to the RC filter on the VINP terminal are symmetrical to and have the same length as the traces connecting to the VINN terminal.
- The top and bottom PCB layers underneath the AMC1204 must be kept free of any conductive materials in order to comply with the creepage and clearance distances shown in the section.

10.2 Layout Example

Figure 56 shows the recommended layout and placement of the decoupling capacitors and other components required by the AMC1204 and AMC1204B.

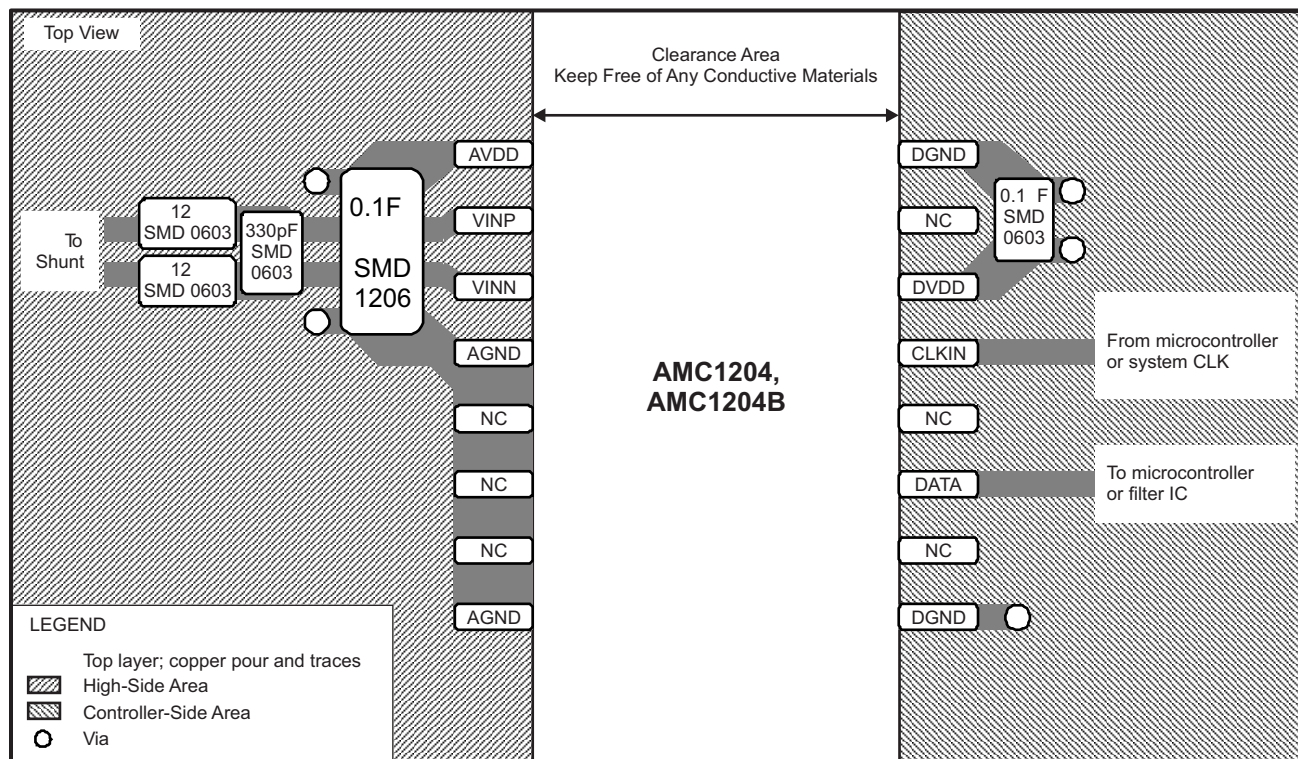


Figure 56. Recommended Layout

11 Device and Documentation Support

11.1 Documentation Support

11.1.1 Related Documentation

For related documentation see the following:

- Texas Instruments, [TMS320F2837xD Dual-Core Delfino™ Microcontrollers data sheet](#)
- Texas Instruments, [MSP430F677x, MSP430F676x, MSP430F674x Polyphase Metering SoCs data sheet](#)
- Texas Instruments, [TMS320F2837xD Dual-Core Delfino™ Microcontrollers data sheet](#)
- Texas Instruments, [AMC1210 Quad Digital Filter for 2nd-Order Delta-Sigma Modulator data sheet](#)
- Texas Instruments, [ADS1209 Two 1-Bit, 10MHz, 2nd-Order Delta-Sigma Modulators data sheet](#)
- Texas Instruments, [ISO72x Digital Isolator Magnetic-Field Immunity application report](#)
- Texas Instruments, [Combining ADS1202 with FPGA Digital Filter for Current Measurement in Motor Control Applications application report](#)
- Texas Instruments, [Isolation Glossary application report](#)

11.2 Receiving Notification of Documentation Updates

To receive notification of documentation updates, navigate to the device product folder on ti.com. In the upper right corner, click on *Alert me* to register and receive a weekly digest of any product information that has changed. For change details, review the revision history included in any revised document.

11.3 Support Resources

[TI E2E™ support forums](#) are an engineer's go-to source for fast, verified answers and design help — straight from the experts. Search existing answers or ask your own question to get the quick design help you need.

Linked content is provided "AS IS" by the respective contributors. They do not constitute TI specifications and do not necessarily reflect TI's views; see TI's [Terms of Use](#).

11.4 Trademarks

E2E is a trademark of Texas Instruments.

All other trademarks are the property of their respective owners.

11.5 Electrostatic Discharge Caution



This integrated circuit can be damaged by ESD. Texas Instruments recommends that all integrated circuits be handled with appropriate precautions. Failure to observe proper handling and installation procedures can cause damage.

ESD damage can range from subtle performance degradation to complete device failure. Precision integrated circuits may be more susceptible to damage because very small parametric changes could cause the device not to meet its published specifications.

11.6 Glossary

[SLYZ022](#) — *TI Glossary*.

This glossary lists and explains terms, acronyms, and definitions.

12 Mechanical, Packaging, and Orderable Information

The following pages include mechanical, packaging, and orderable information. This information is the most current data available for the designated devices. This data is subject to change without notice and revision of this document. For browser-based versions of this data sheet, refer to the left-hand navigation.

PACKAGING INFORMATION

| Orderable Device | Status (1) | Package Type | Package Drawing | Pins | Package Qty | Eco Plan (2) | Lead/Ball Finish (6) | MSL Peak Temp (3) | Op Temp (°C) | Device Marking (4/5) | Samples |
|------------------|---------------|--------------|-----------------|------|-------------|-------------------------|-------------------------|----------------------|--------------|-------------------------|-------------------------|
| AMC1204BDW | ACTIVE | SOIC | DW | 16 | 40 | Green (RoHS & no Sb/Br) | NIPDAU | Level-3-260C-168 HR | -40 to 125 | 1204B | Samples |
| AMC1204BDWR | ACTIVE | SOIC | DW | 16 | 2000 | Green (RoHS & no Sb/Br) | NIPDAU | Level-3-260C-168 HR | -40 to 125 | 1204B | Samples |
| AMC1204BDWV | ACTIVE | SOIC | DWV | 8 | 64 | Green (RoHS & no Sb/Br) | SN | Level-3-260C-168 HR | -40 to 125 | AMC1204B | Samples |
| AMC1204BDWVR | ACTIVE | SOIC | DWV | 8 | 1000 | Green (RoHS & no Sb/Br) | SN | Level-3-260C-168 HR | -40 to 125 | AMC1204B | Samples |
| AMC1204DW | ACTIVE | SOIC | DW | 16 | 40 | Green (RoHS & no Sb/Br) | NIPDAU | Level-3-260C-168 HR | -40 to 125 | AMC1204 | Samples |
| AMC1204DWR | ACTIVE | SOIC | DW | 16 | 2000 | Green (RoHS & no Sb/Br) | NIPDAU | Level-3-260C-168 HR | -40 to 125 | AMC1204 | Samples |

(1) The marketing status values are defined as follows:

ACTIVE: Product device recommended for new designs.

LIFEBUY: TI has announced that the device will be discontinued, and a lifetime-buy period is in effect.

NRND: Not recommended for new designs. Device is in production to support existing customers, but TI does not recommend using this part in a new design.

PREVIEW: Device has been announced but is not in production. Samples may or may not be available.

OBSOLETE: TI has discontinued the production of the device.

(2) **RoHS:** TI defines "RoHS" to mean semiconductor products that are compliant with the current EU RoHS requirements for all 10 RoHS substances, including the requirement that RoHS substance do not exceed 0.1% by weight in homogeneous materials. Where designed to be soldered at high temperatures, "RoHS" products are suitable for use in specified lead-free processes. TI may reference these types of products as "Pb-Free".

RoHS Exempt: TI defines "RoHS Exempt" to mean products that contain lead but are compliant with EU RoHS pursuant to a specific EU RoHS exemption.

Green: TI defines "Green" to mean the content of Chlorine (Cl) and Bromine (Br) based flame retardants meet JS709B low halogen requirements of <=1000ppm threshold. Antimony trioxide based flame retardants must also meet the <=1000ppm threshold requirement.

(3) MSL, Peak Temp. - The Moisture Sensitivity Level rating according to the JEDEC industry standard classifications, and peak solder temperature.

(4) There may be additional marking, which relates to the logo, the lot trace code information, or the environmental category on the device.

(5) Multiple Device Markings will be inside parentheses. Only one Device Marking contained in parentheses and separated by a "~" will appear on a device. If a line is indented then it is a continuation of the previous line and the two combined represent the entire Device Marking for that device.

⁽⁶⁾ Lead/Ball Finish - Orderable Devices may have multiple material finish options. Finish options are separated by a vertical ruled line. Lead/Ball Finish values may wrap to two lines if the finish value exceeds the maximum column width.

Important Information and Disclaimer:The information provided on this page represents TI's knowledge and belief as of the date that it is provided. TI bases its knowledge and belief on information provided by third parties, and makes no representation or warranty as to the accuracy of such information. Efforts are underway to better integrate information from third parties. TI has taken and continues to take reasonable steps to provide representative and accurate information but may not have conducted destructive testing or chemical analysis on incoming materials and chemicals. TI and TI suppliers consider certain information to be proprietary, and thus CAS numbers and other limited information may not be available for release.

In no event shall TI's liability arising out of such information exceed the total purchase price of the TI part(s) at issue in this document sold by TI to Customer on an annual basis.

OTHER QUALIFIED VERSIONS OF AMC1204 :

- Automotive: [AMC1204-Q1](#)

NOTE: Qualified Version Definitions:

- Automotive - Q100 devices qualified for high-reliability automotive applications targeting zero defects

TAPE AND REEL INFORMATION



QUADRANT ASSIGNMENTS FOR PIN 1 ORIENTATION IN TAPE



*All dimensions are nominal

| Device | Package Type | Package Drawing | Pins | SPQ | Reel Diameter (mm) | Reel Width W1 (mm) | A0 (mm) | B0 (mm) | K0 (mm) | P1 (mm) | W (mm) | Pin1 Quadrant |
|--------------|--------------|-----------------|------|------|--------------------|--------------------|---------|---------|---------|---------|--------|---------------|
| AMC1204BDWR | SOIC | DW | 16 | 2000 | 330.0 | 16.4 | 10.75 | 10.7 | 2.7 | 12.0 | 16.0 | Q1 |
| AMC1204BDWVR | SOIC | DWV | 8 | 1000 | 330.0 | 16.4 | 12.05 | 6.15 | 3.3 | 16.0 | 16.0 | Q1 |
| AMC1204DWR | SOIC | DW | 16 | 2000 | 330.0 | 16.4 | 10.75 | 10.7 | 2.7 | 12.0 | 16.0 | Q1 |

TAPE AND REEL BOX DIMENSIONS



*All dimensions are nominal

| Device | Package Type | Package Drawing | Pins | SPQ | Length (mm) | Width (mm) | Height (mm) |
|--------------|--------------|-----------------|------|------|-------------|------------|-------------|
| AMC1204BDWR | SOIC | DW | 16 | 2000 | 350.0 | 350.0 | 43.0 |
| AMC1204BDWVR | SOIC | DWV | 8 | 1000 | 350.0 | 350.0 | 43.0 |
| AMC1204DWR | SOIC | DW | 16 | 2000 | 350.0 | 350.0 | 43.0 |

GENERIC PACKAGE VIEW

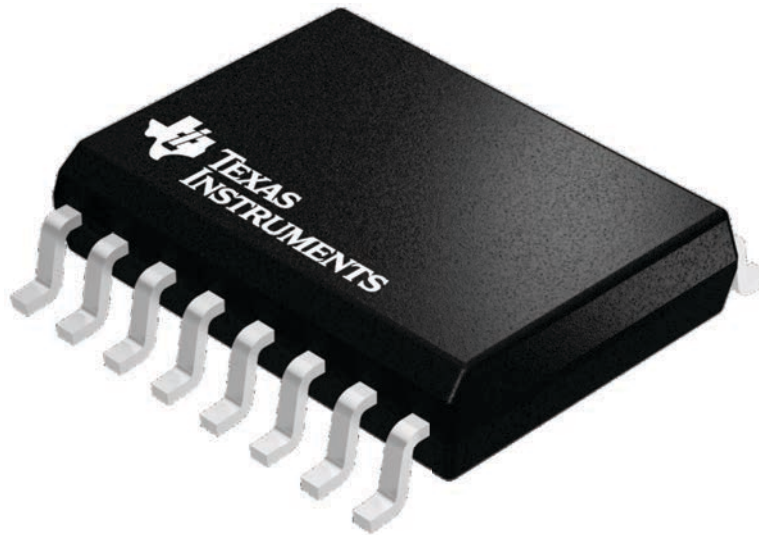
DW 16

SOIC - 2.65 mm max height

7.5 x 10.3, 1.27 mm pitch

SMALL OUTLINE INTEGRATED CIRCUIT

This image is a representation of the package family, actual package may vary.
Refer to the product data sheet for package details.



4224780/A



DW0016B

PACKAGE OUTLINE SOIC - 2.65 mm max height

SOIC



4221009/B 07/2016

NOTES:

1. All linear dimensions are in millimeters. Dimensions in parenthesis are for reference only. Dimensioning and tolerancing per ASME Y14.5M.
2. This drawing is subject to change without notice.
3. This dimension does not include mold flash, protrusions, or gate burrs. Mold flash, protrusions, or gate burrs shall not exceed 0.15 mm, per side.
4. This dimension does not include interlead flash. Interlead flash shall not exceed 0.25 mm, per side.
5. Reference JEDEC registration MS-013.

EXAMPLE BOARD LAYOUT

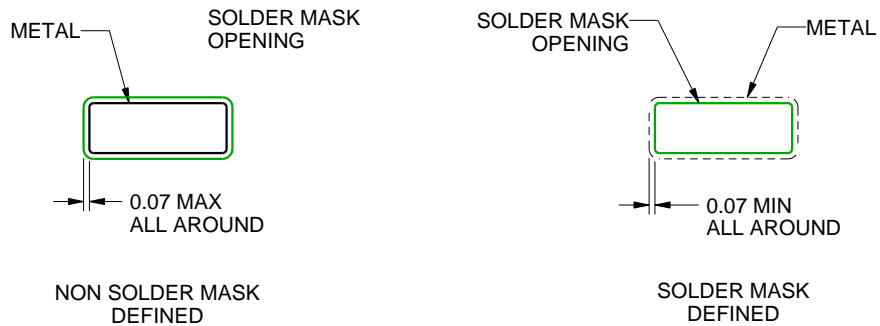
DW0016B

SOIC - 2.65 mm max height

SOIC



LAND PATTERN EXAMPLE
SCALE:4X



SOLDER MASK DETAILS

4221009/B 07/2016

NOTES: (continued)

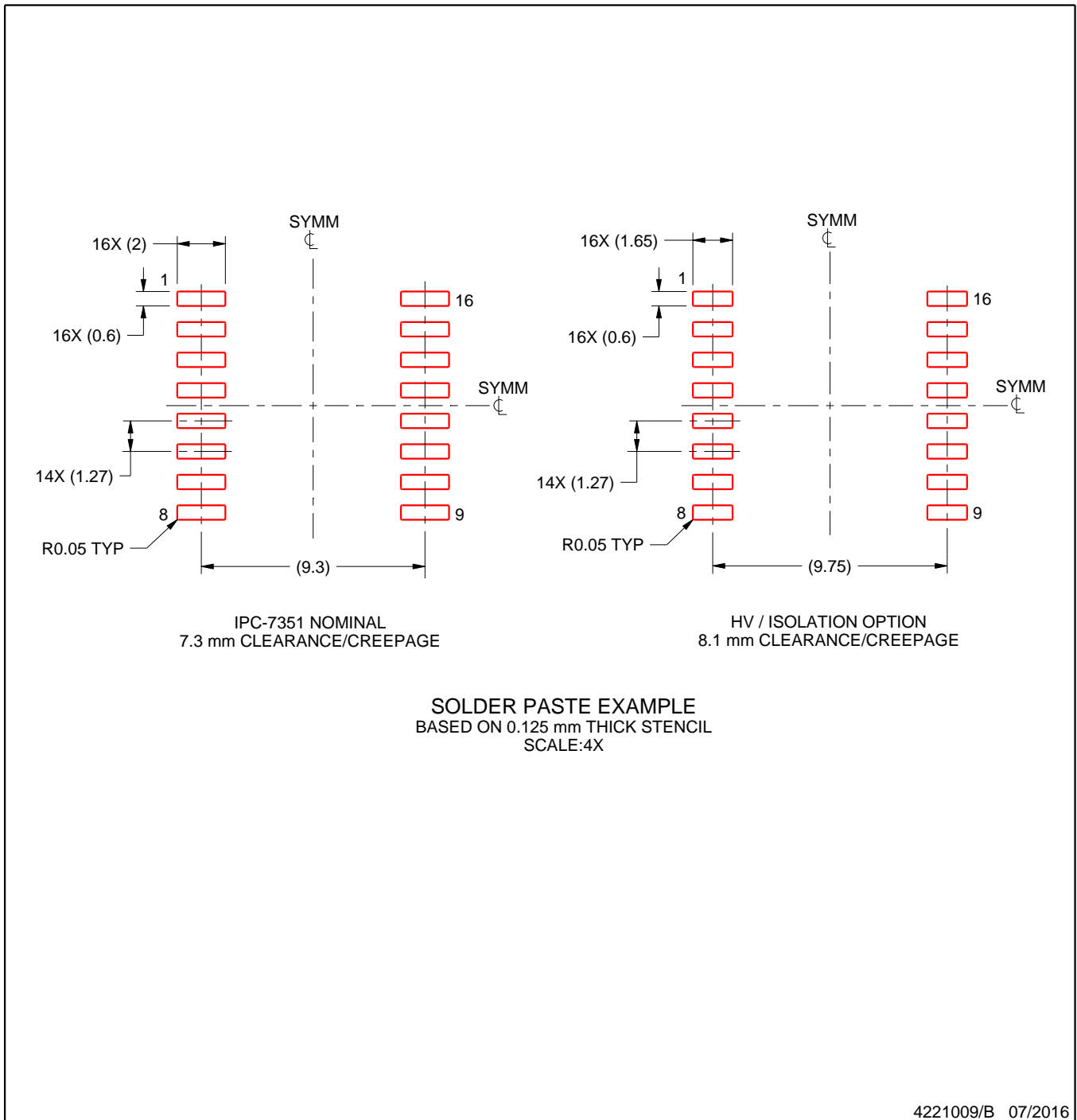
- 6. Publication IPC-7351 may have alternate designs.
- 7. Solder mask tolerances between and around signal pads can vary based on board fabrication site.

EXAMPLE STENCIL DESIGN

DW0016B

SOIC - 2.65 mm max height

SOIC



NOTES: (continued)

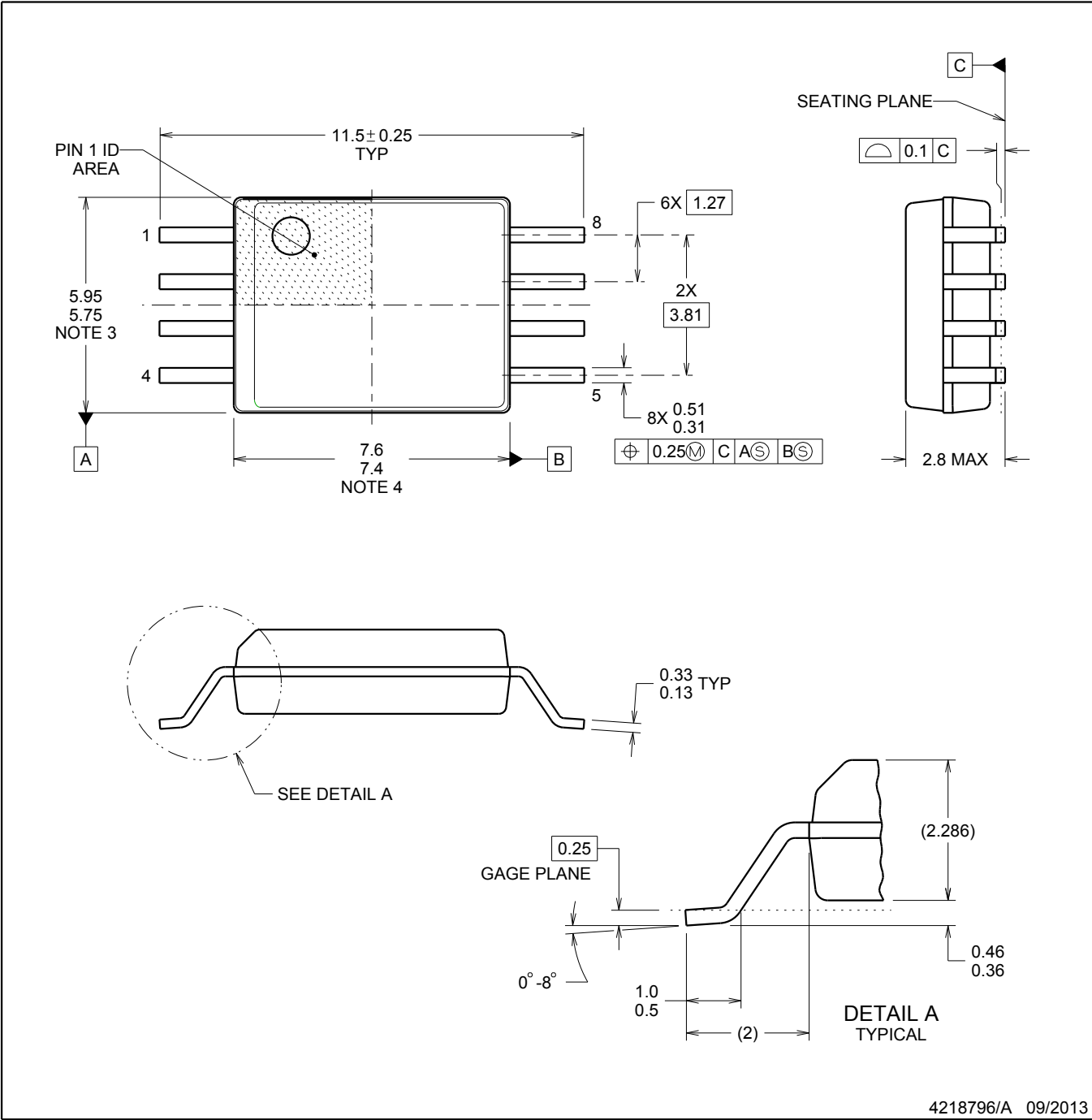
8. Laser cutting apertures with trapezoidal walls and rounded corners may offer better paste release. IPC-7525 may have alternate design recommendations.
9. Board assembly site may have different recommendations for stencil design.



DWV0008A

SOIC - 2.8 mm max height

SOIC



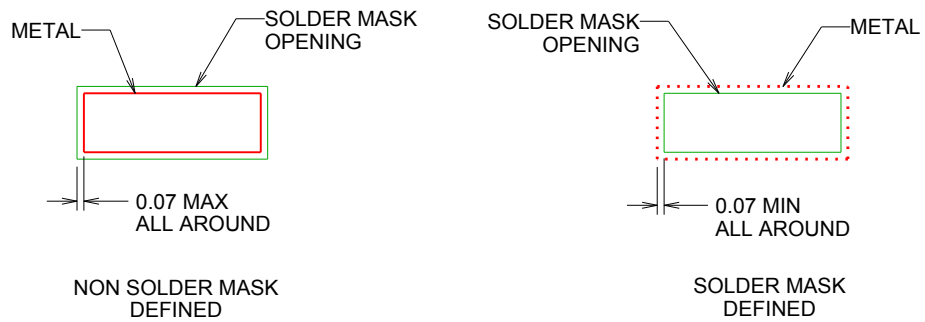
4218796/A 09/2013

NOTES:

1. All linear dimensions are in millimeters. Dimensions in parenthesis are for reference only. Dimensioning and tolerancing per ASME Y14.5M.
2. This drawing is subject to change without notice.
3. This dimension does not include mold flash, protrusions, or gate burrs. Mold flash, protrusions, or gate burrs shall not exceed 0.15 mm, per side.
4. This dimension does not include interlead flash. Interlead flash shall not exceed 0.25 mm, per side.



LAND PATTERN EXAMPLE
 9.1 mm NOMINAL CLEARANCE/CREEPAGE
 SCALE:6X

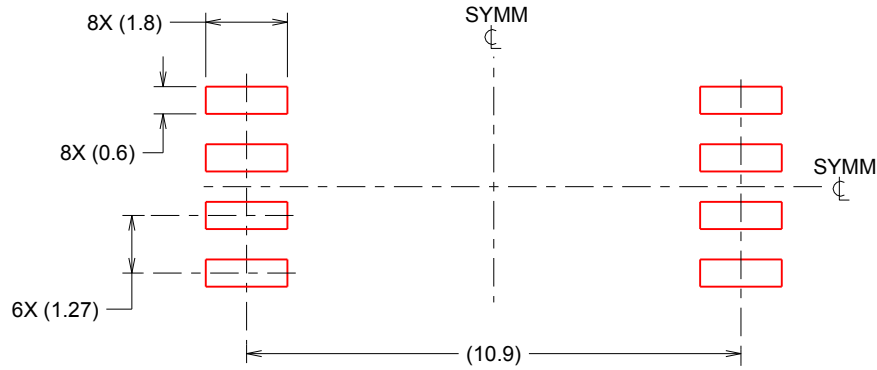


SOLDER MASK DETAILS

4218796/A 09/2013

NOTES: (continued)

- 5. Publication IPC-7351 may have alternate designs.
- 6. Solder mask tolerances between and around signal pads can vary based on board fabrication site.



SOLDER PASTE EXAMPLE
 BASED ON 0.125 mm THICK STENCIL
 SCALE:6X

4218796/A 09/2013

NOTES: (continued)

- 7. Laser cutting apertures with trapezoidal walls and rounded corners may offer better paste release. IPC-7525 may have alternate design recommendations.
- 8. Board assembly site may have different recommendations for stencil design.

IMPORTANT NOTICE AND DISCLAIMER

TI PROVIDES TECHNICAL AND RELIABILITY DATA (INCLUDING DATASHEETS), DESIGN RESOURCES (INCLUDING REFERENCE DESIGNS), APPLICATION OR OTHER DESIGN ADVICE, WEB TOOLS, SAFETY INFORMATION, AND OTHER RESOURCES "AS IS" AND WITH ALL FAULTS, AND DISCLAIMS ALL WARRANTIES, EXPRESS AND IMPLIED, INCLUDING WITHOUT LIMITATION ANY IMPLIED WARRANTIES OF MERCHANTABILITY, FITNESS FOR A PARTICULAR PURPOSE OR NON-INFRINGEMENT OF THIRD PARTY INTELLECTUAL PROPERTY RIGHTS.

These resources are intended for skilled developers designing with TI products. You are solely responsible for (1) selecting the appropriate TI products for your application, (2) designing, validating and testing your application, and (3) ensuring your application meets applicable standards, and any other safety, security, or other requirements. These resources are subject to change without notice. TI grants you permission to use these resources only for development of an application that uses the TI products described in the resource. Other reproduction and display of these resources is prohibited. No license is granted to any other TI intellectual property right or to any third party intellectual property right. TI disclaims responsibility for, and you will fully indemnify TI and its representatives against, any claims, damages, costs, losses, and liabilities arising out of your use of these resources.

TI's products are provided subject to TI's Terms of Sale (www.ti.com/legal/termsofsale.html) or other applicable terms available either on ti.com or provided in conjunction with such TI products. TI's provision of these resources does not expand or otherwise alter TI's applicable warranties or warranty disclaimers for TI products.

Mailing Address: Texas Instruments, Post Office Box 655303, Dallas, Texas 75265
Copyright © 2020, Texas Instruments Incorporated