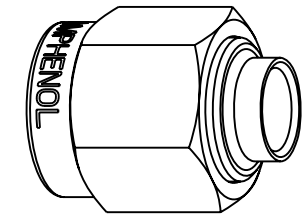


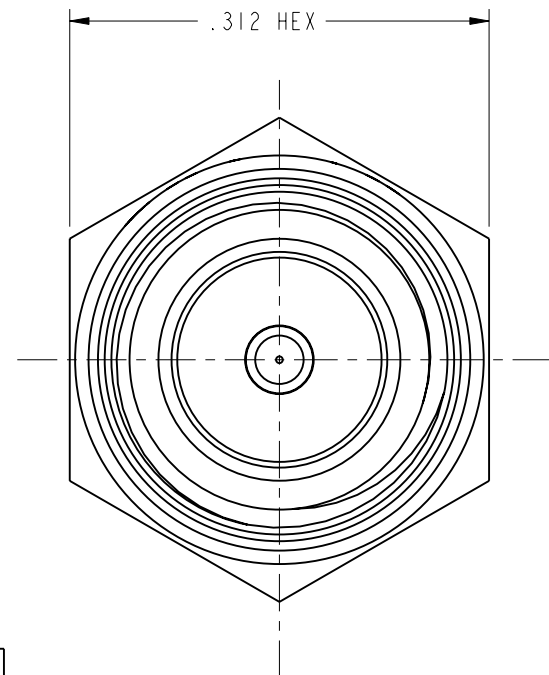
NOTES:

1. MATERIALS AND FINISHES:
 BODY - STAINLESS STEEL, GOLD PLATED (.000030 MIN) OVER NICKEL (.000080 MIN).
 COUPLING NUT - STAINLESS STEEL, GOLD PLATED (.000030 MIN) OVER NICKEL (.000080 MIN).
 CONTACT - BERYLLIUM COPPER, GOLD PLATED (.000030 MIN) OVER NICKEL (.000080 MIN).
 INSULATOR - PTFE.
 GASKET - SILICONE RUBBER.
 RETAINING RING - BERYLLIUM COPPER, .
2. ELECTRICAL:
 A. IMPEDANCE: 50 OHM
 B. FREQUENCY RANGE: DC - 18 GHz
 C. VSWR(RETURN LOSS): 1.05 +.005f (GHz), MAX.
 D. DIELECTRIC WITHSTANDING VOLTAGE: 1000 VRMS, MIN.
3. MECHANICAL:
 A. DURABILITY: 500 CYCLES MIN.
 B. TEMPERATURE RANGE: -65° C TO +165° C
4. BULK PACKAGE 100 CONNECTORS IN AN ANTI-STATIC BAG.)
 MARK BAG: AMPHENOL, 100 PCS., 901-9808-2, DATE CODE, AND WORK ORDER NUMBER

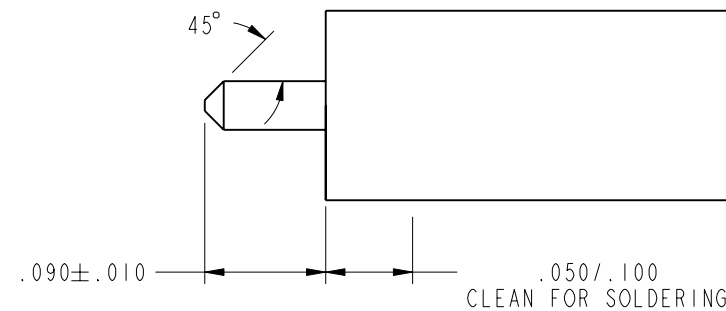
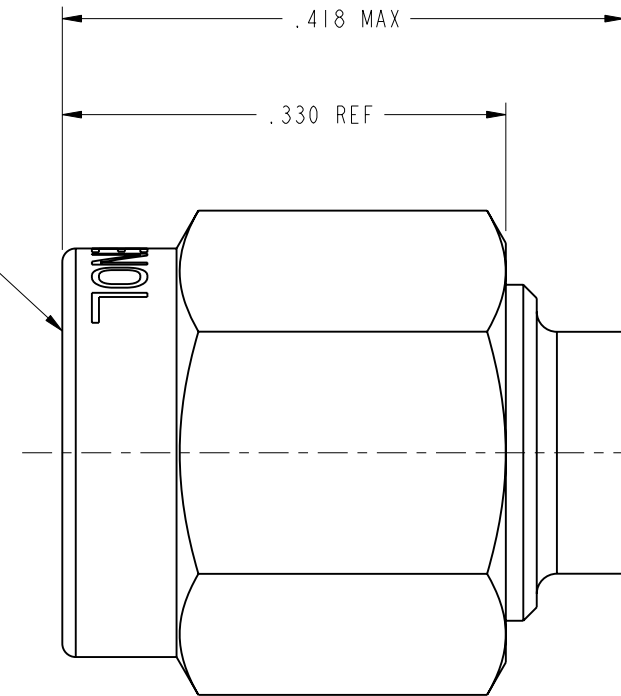
901-9808-2		REVISIONS			
DRAWING NO.	REV	DESCRIPTION	DATE	ECO	APPR
THIRD ANGLE PROJ.	--	RELEASE TO MFG.			
	C	SEE SHEET 1	10-Jul-06	46149	CPM



SCALE 3.000



INTERFACE PER
 AMPHENOL SPEC.
 349-50623



CABLE TRIM DIMENSIONS

CUSTOMER OUTLINE DRAWING
 ALL OTHER SHEETS ARE FOR INTERNAL USE ONLY

UNLESS OTHERWISE SPECIFIED, DIMENSIONS ARE IN INCHES AND TOLERANCES ARE: 2 PLACE DECIMAL ±.015 (0,381 mm) 3 PLACE DECIMAL ±.005 (0,127 mm) ANGLES ± 1°	MATERIAL	DRAWN C. McGRATH	DATE 10-Jul-06	TITLE SMA MALE STRAIGHT FOR .141 SEMI-RIGID	Amphenol RF Danbury, CT, USA Tainan, Taiwan Shenzhen, China www.amphenolrf.com
	REFERENCE	ENGINEER O. BARTHELMES	DATE 10-Jul-06		
NOTICE - These drawings, specifications, or other data (1) are, and remain the property of Amphenol Corp. (2) must be returned upon request; and (3) are confidential and not to be disclosed to any person other than those to whom they are given by Amphenol Corp. The furnishing of these drawings, specifications, or other data by Amphenol Corp., or to any other person to anyone for any purpose is not to be regarded by implication or otherwise in any manner licensing, granting rights or permitting such holder or any other person to manufacture, use or sell any product, process or design, patented or otherwise, that may in any way be related to or disclosed by said drawings, specifications, or other data.		APPROVED O. BARTHELMES	DATE 10-Jul-06		SCALE: 7.0:1 SHEET 2 OF 2
		CAD FILE I:\SMA\901-9808-2	CODE ID 74868	DWG SIZE B	DRAWING NO. 901-9808-2

Mouser Electronics

Authorized Distributor

Click to View Pricing, Inventory, Delivery & Lifecycle Information:

[Amphenol:](#)

[901-9808-2](#)