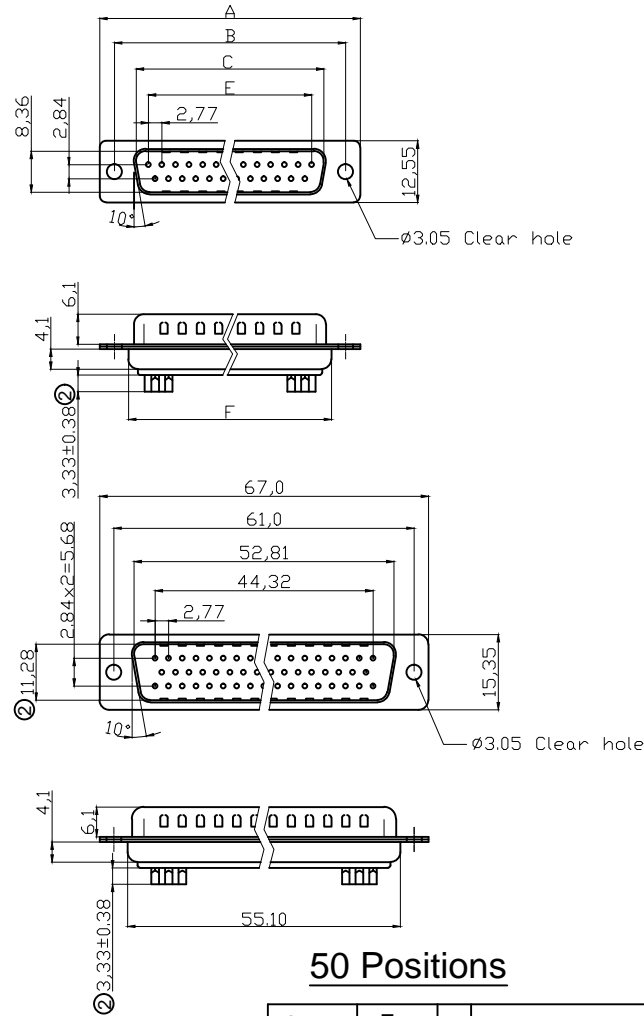


Male



Product Specification

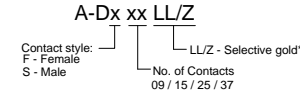
Material

- Insulator : Glass-Filled Thermoplastic PBT,UL94V-0,White
- Contact : Copper alloy, Gold flash selective gold
- ⑥ Shell: Steel 100u'Tin Over 50u' min Copper

Electrical

- Contact Resistance : 20 milliohms Max at 1 AMP DC.
- Insulation Resistance : 1000 magohms at 500 VDC
- Dielectric Withstanding Voltage : 1000 VAC/rms 60Hz for 1 minute
- Current Rating : 3 AMP
- Volatge Rating : 250 VAC/rms 60Hz
- ⑤ Durability :250 mating cycles
- ① Operating Temperature : -55°C+105°C
- ⑦ Soldering Temperature : 245±5°C in 10s
- ⑧ Recommended wire size: 24~30AWG

Order Code:



Dimensions

Positions	A	B	C	E	F
9	30.81	24.99	16.92	11.08	19.20
15	39.20	33.30	25.25	19.39	27.70
25	53.04	47.04	38.96	33.24	41.10
37	69.40	63.50	55.42	49.86	57.30

50 Positions

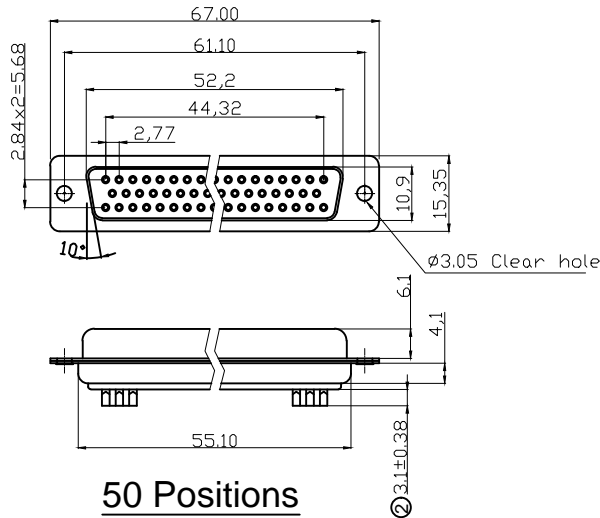
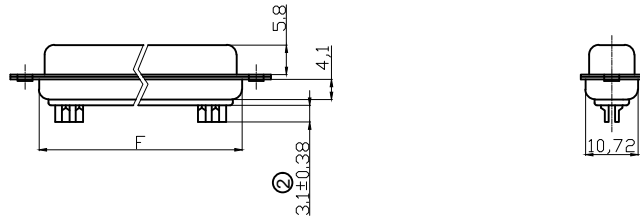
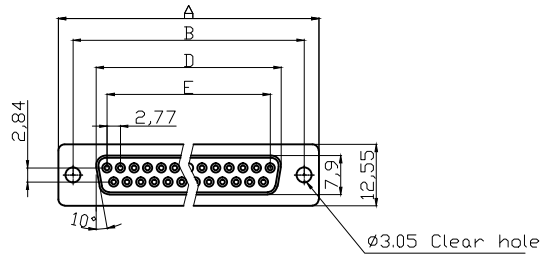
RoHS compliant
Unit: mm



Scale	Free	③	Add recommended wire size	17.01.2019	Xavier		Date	Name	Customer-No.	
TOLERANCE		⑦	Add solder temperature	16.07.2018	Xavier	Drawn	15.08.2012	Lucas	ASSMANN WSW-No. A-Dx xx LL/Z	
X.	±0.38	⑥	Add the detail plating of shell	17.01.2018	Tom	Approved	16.07.2018	Winnie		
X.X	±0.25	⑤	Add the mating cycles	19.10.2017	Winnie				Drawing-No.	
X.XX	±0.13	④	Cancel "Clinch Nut "&"Screwlock"	17.06.2016	Winnie				ASS 4884 CO	rev08
DIM	TOL	③	Add the UL number	03.04.2015	Winnie				Replace	Sheet 1/2
X.°	±3°	Id.	Modification	Date	Name					
X.X°	±1.0°									
Angle	TOL									



Female



50 Positions

Product Specification

Material

- Insulator : Glass-Filled Thermoplastic PBT,UL94V-0,White
- Contact : Copper Alloy , Gold flash selective gold plating
- ⑥ Shell: Steel 100u" Tin Over 50u" min Copper

Electrical

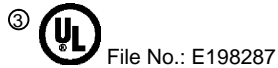
- Contact Resistance : 20 milliohms Max at 1 AMP DC.
- Insulation Resistance : 1000 magohms at 500 VDC
- Dielectric Withstanding Voltage :1000 VAC/rms 60Hz for 1 minute
- Current Rating : 3 AMP
- Volatge Rating : 250 VAC/rms 60Hz
- ⑤ Durability :250 mating cycles
- ① Operating Temperature : -55°C+105°C
- ⑦ Soldering Temperature : 245±5°C in 10s
- ⑧ Recommended wire size: 24-30AWG

Dimensions

Positions	A	B	D	E	F
9	30.81	24.99	16.33	11.08	19.20
15	39.20	33.30	24.70	19.39	27.70
25	53.05	47.04	38.40	33.24	41.10
37	69.40	63.50	54.84	49.86	57.30

RoHS compliant

Unit: mm



Scale	Free	③	Add recommended wire size	17.01.2019	Xavier		Date	Name	Customer-No.
TOLERANCE		⑦	Add solder temperature	16.07.2018	Xavier	Drawn	15.08.2012	Lucas	ASSMANN WSW-No. A-Dx xx LL/Z
X.	±0.38	⑥	Add the detail plating of shell	17.01.2018	Tom	Approved	16.07.2018	Winnie	
X.X	±0.25	⑤	Add the mating cycles	19.10.2017	Winnie				
X.XX	±0.13	④	Cancel "Clinch Nut "&"Screwlock"	17.06.2016	Winnie				Drawing-No.
DIM	TOL	③	Add the UL number	03.04.2015	Winnie				ASS 4884 CO
X.°	±3°	Id.	Modification	Date	Name	Replace	Sheet	2/2	
X.X°	±1.0°								
Angle	TOL								

