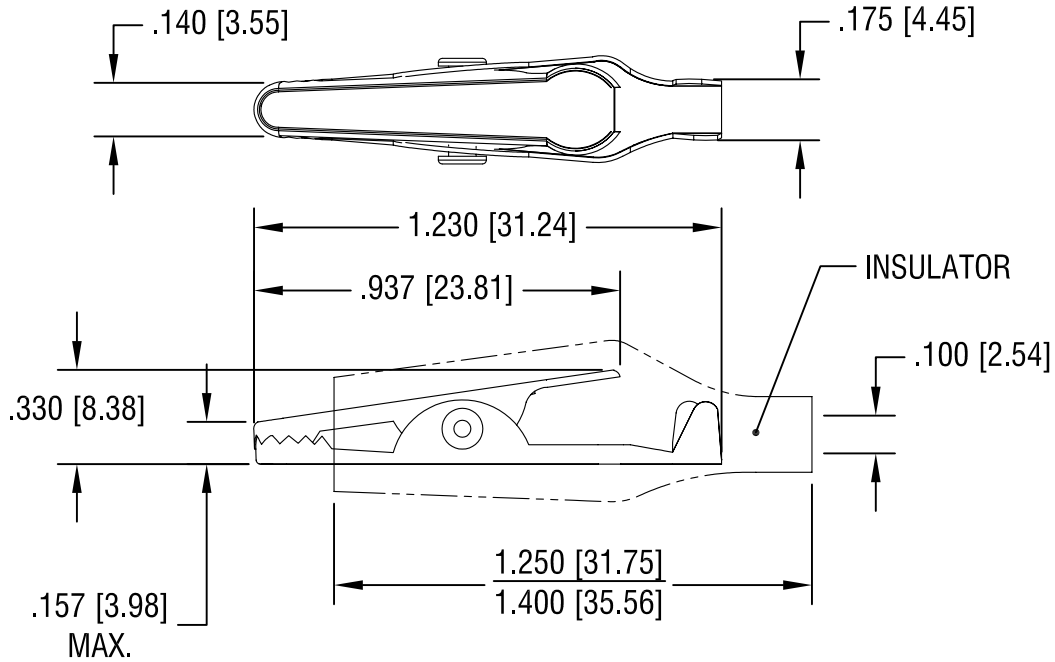
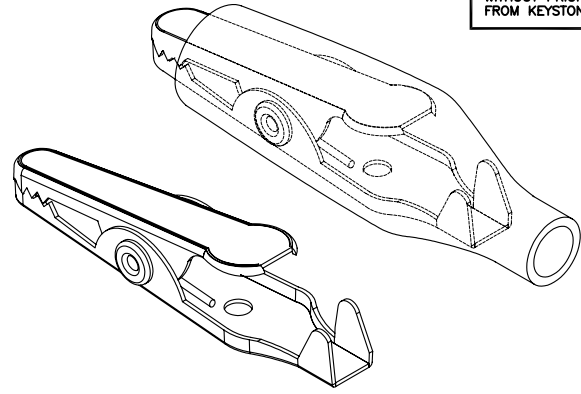


THIS DOCUMENT IS THE PROPERTY OF  
KEYSTONE ELECTRONICS CORP. AND  
SHALL NOT BE REPRODUCED, DISTRIBUTED  
OR USED AS A BASIS FOR MANUFACTURE  
WITHOUT PRIOR WRITTEN PERMISSION  
FROM KEYSTONE ELECTRONICS CORP.



PART NO.	COLOR, VINYL INSULATOR
9-5034-WHT	NO INSULATOR
5034	RED
5035	BLACK
5036	GREEN
5037	YELLOW

**KEYSTONE ELECTRONICS CORP.**

www.keyelco.com • ASTORIA, N.Y. 11105-2017 • Tel (718) 956-8900

PART NAME		SMALL ALLIGATOR CLIP	
MATERIAL		STEEL	
FINISH		DRN BY	DATE
NICKEL PLATE		BOONE	11.18.82
		APP'D	SCALE
		LN	2X
TOLERANCES		DWG NO.	
INCH	[MM]		
DECIMAL	$\pm .020$ [ $\pm 0.50$ ]		
ANGULAR	$\pm 1^\circ$		
UNLESS OTHERWISE SPECIFIED			
CODE	C/M		
		<b>5033-5037</b>	

11.06.08	CHANGE AS PER ECN 08-175	B
10.28.93	UPDATE ALL DIM'S & TOL.	A
DATE	DESCRIPTION	REV.

# Mouser Electronics

Authorized Distributor

Click to View Pricing, Inventory, Delivery & Lifecycle Information:

[Keystone Electronics:](#)

[5034](#)