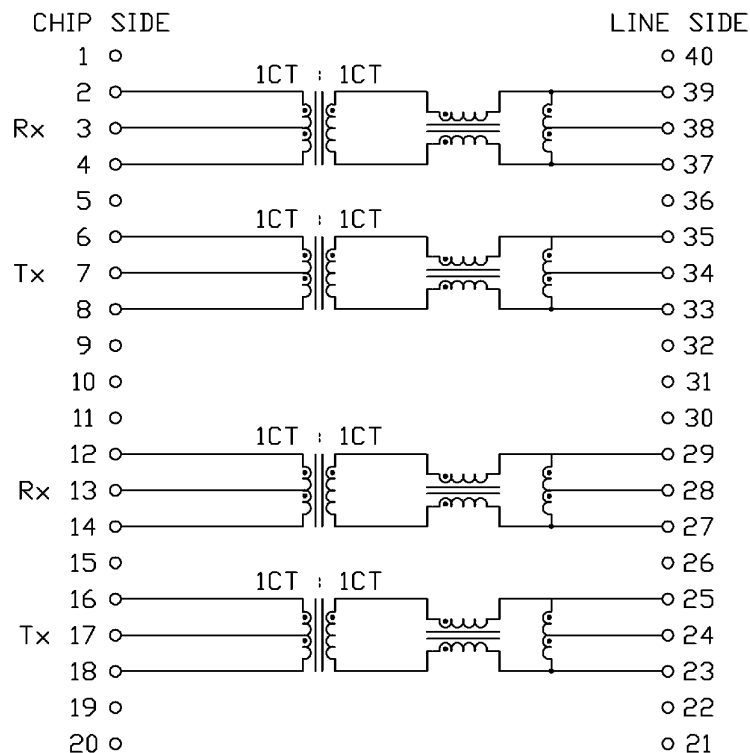


THE INFORMATION CONTAINED HEREIN IS CONSIDERED "PROPRIETARY" TO BEL FUSE INC. AND SHALL NOT BE COPIED, REPRODUCED OR DISCLOSED WITHOUT THE WRITTEN APPROVAL OF BEL FUSE INC.



ELECTRICAL CHARACTERISTICS @ 25°C

SCHEMATIC



URNS RATIO	1CT : 1CT
DCL	350 μ H MIN. @ 100kHz, 100mV WITH 8mA DC BIAS
LEAKAGE INDUCTANCE (LL)	0.35 μ H MAX. @1MHz, 20mV
INTERWINDING CAP (Cw/w)	25 pF MAX. @1MHz, 20mV
DC RESISTANCE	
LINE SIDE	1.0 Ω MAX.
CHIP SIDE	1.4 Ω MAX.
INSERTION LOSS	1.5dB MAX. @100kHz TO 100MHz
RETURN LOSS	
MEASURED UNDER	16dB MIN. @2MHz TO 30MHz
100 Ω ENVIRONMENT	10dB MIN. @60MHz TO 80MHz
HIPOT	PER HAND-WORK-03
OPERATING TEMPERATURE	-40°C TO 85°C

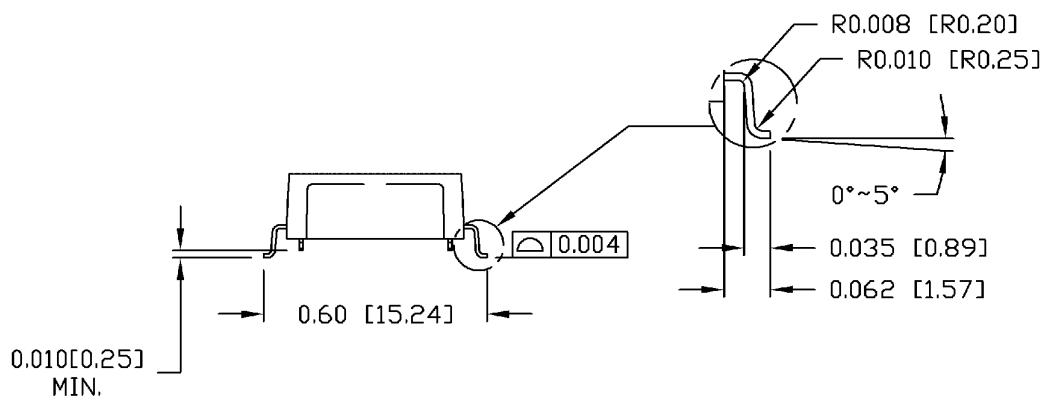
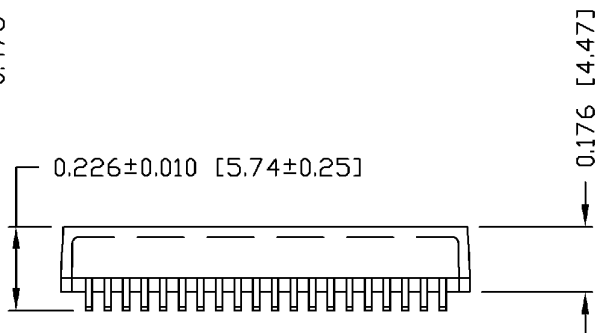
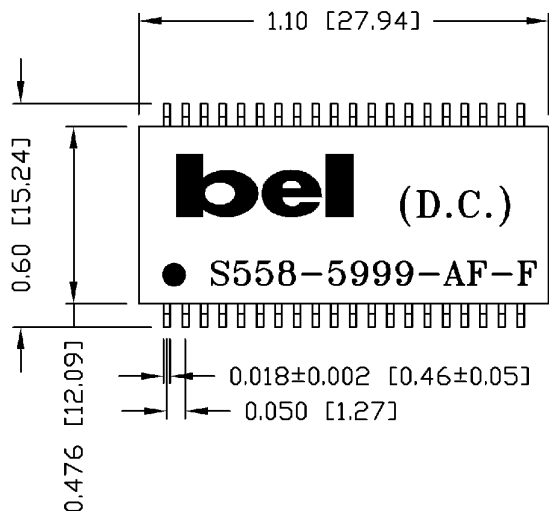
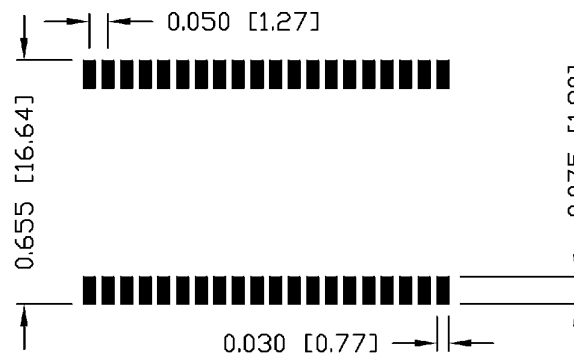
ORIGINATED BY HQ	DATE 02-13-07	TITLE ELECTRICAL SPECIFICATION S558-5999-AF-F	PART NO. / DRAWING NO. X5585999AF-F	STANDARD DIM. TOL. IN INCH	[] METRIC DIM. AS REFERENCE	 COMPONENTS FOR A CONNECTED PLANET	
DRAWN BY DQ Chen	DATE 02-13-07		FILE NAME X5585999AFFA.DWG	.X	UNIT : INCH [mm]		REV. : A
				.XX	SCALE : N/A		SIZE : A4
				.XXX		PAGE : 2	

THE INFORMATION CONTAINED HEREIN IS CONSIDERED "PROPRIETARY" TO BEL FUSE INC. AND SHALL NOT BE COPIED, REPRODUCED OR DISCLOSED WITHOUT THE WRITTEN APPROVAL OF BEL FUSE INC.

RoHS
2002/95/EC



SUGGESTED PCB PAD LAYOUT



NOTES:

- STANDARD MARKING REFER TO DOC. HAND-WORK-04.
- PACKAGE CODE: "RRS001".

ORIGINATED BY Lawrence	DATE 02-13-07	TITLE MECHANICAL OUTLINE S558-5999-AF-F	PART NO. / DRAWING NO. X5585999AF-F	STANDARD DIM. TOL. IN INCH	[] METRIC DIM. AS REFERENCE	 COMPONENTS FOR A CONNECTED PLANET	
DRAWN BY DQ Chen	DATE 02-13-07		FILE NAME X5585999AFFA.DWG	.X	UNIT : INCH [mm]		REV. : A
				.XX ±0.01	SCALE : N/A		SIZE : A4
				.XXX ±0.005		PAGE : 3	

Mouser Electronics

Authorized Distributor

Click to View Pricing, Inventory, Delivery & Lifecycle Information:

Bel:

[S558-5500-02-F](#)