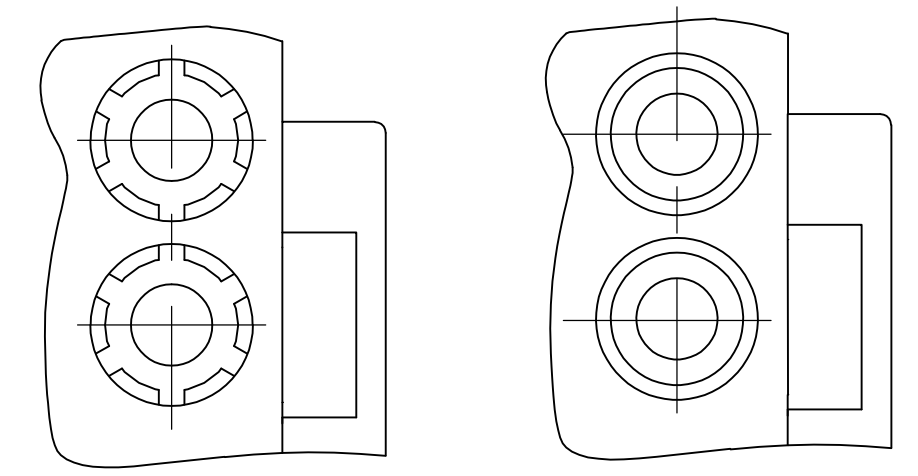
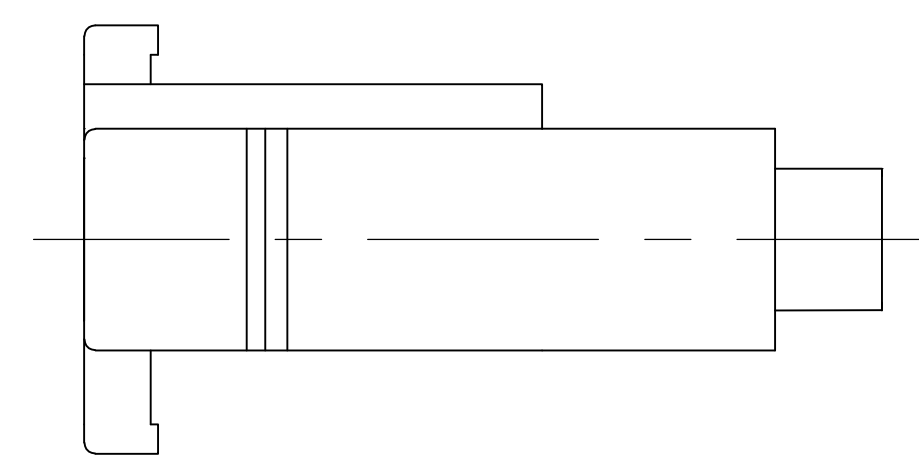
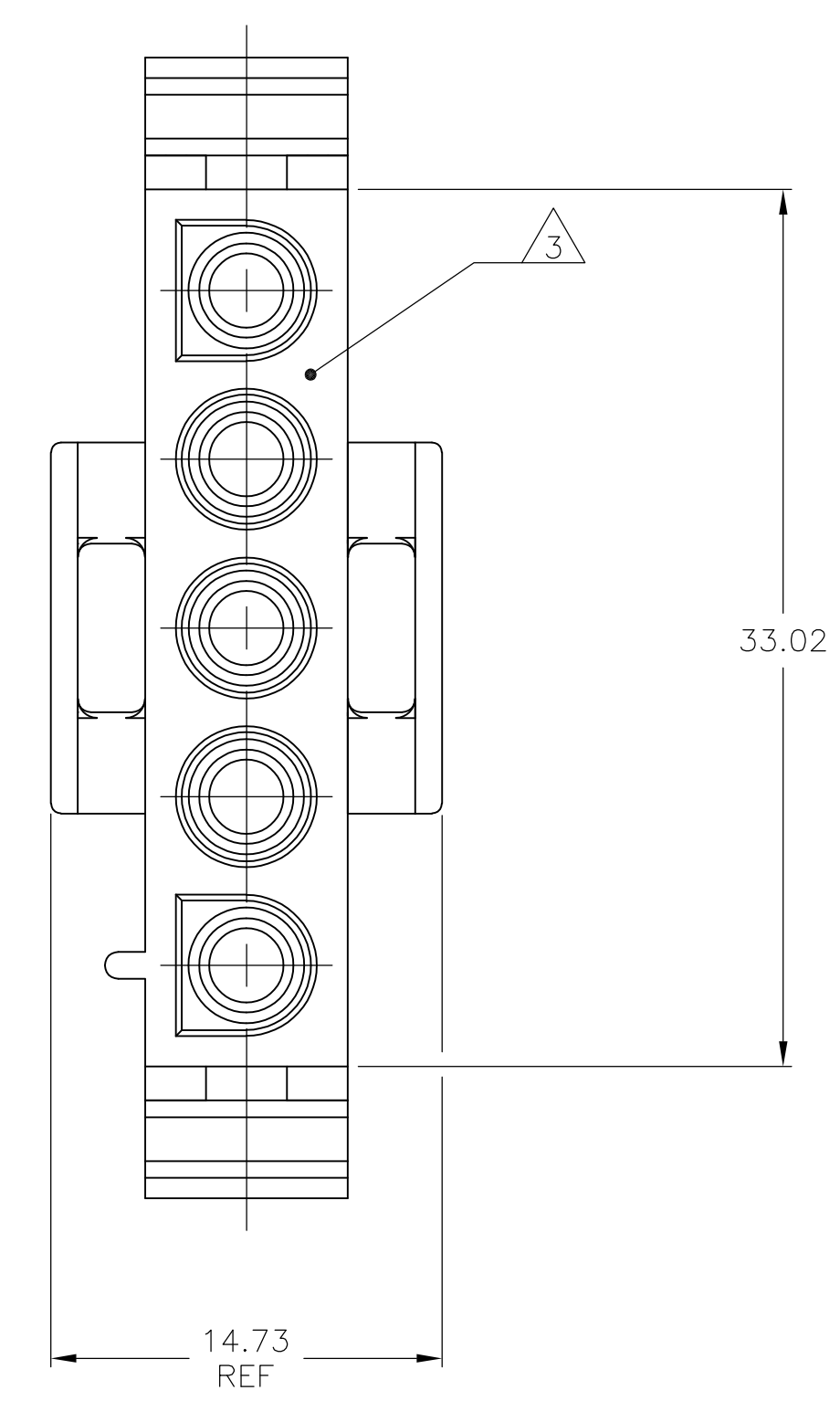
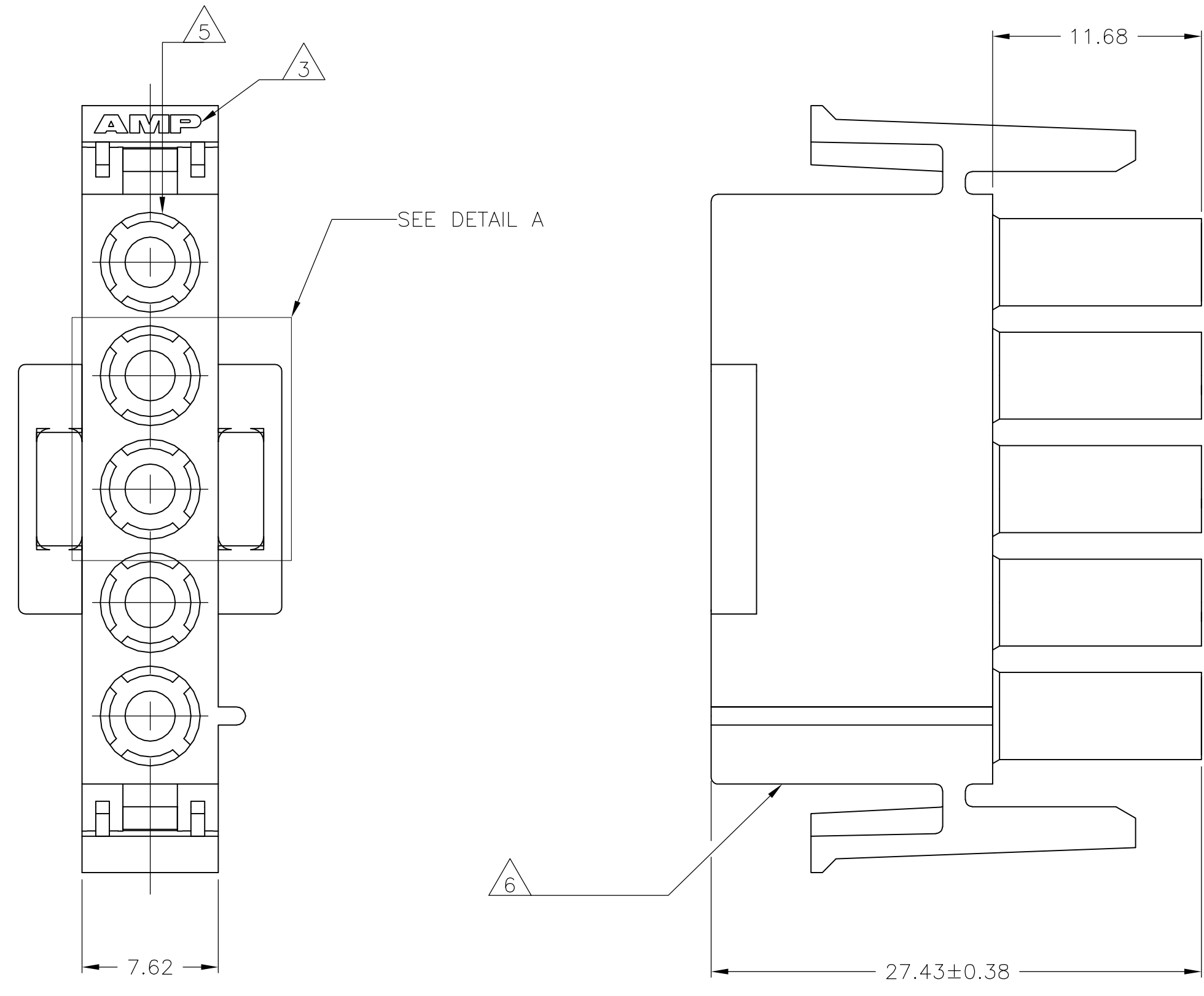
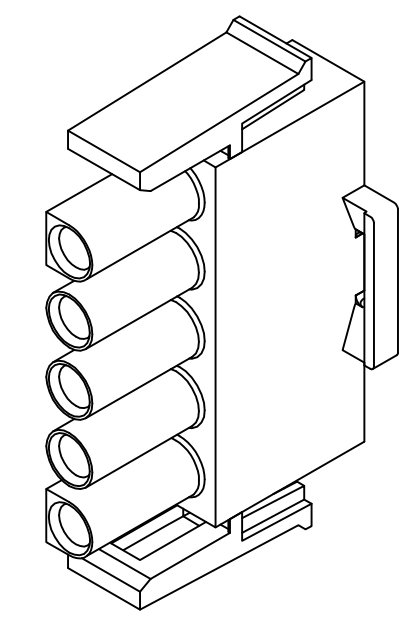


REVISIONS				
P	LTR	DESCRIPTION	DATE	DWN
AC4	REVISED PER	ECR-17-008392	23JUN2017	BW KR



CONSTRUCTION OPTIONAL 2 CONSTRUCTION OPTIONAL 3

DETAIL A
OPTIONAL CONSTRUCTIONS



3-DIMENSIONAL MODEL NTS

- MATES WITH APPROPRIATE UNIVERSA MATE-N-LOK™ CAP OR HEADER.
- SMALL NICKS ARE PERMITTED ON THE CIRCUIT TOWERS WHICH COULD INCREASE THE INITIAL HOUSING MATING FORCE BY UP TO 4.4 NEWTONS [1.0 LBS]. NO INDIVIDUAL NICKED TOWER SHALL INCREASE THIS FORCE BY OVER 2.2 NEWTONS [.5 LBS].
- OPTIONAL: AMP LOGO MAY BE LOCATED ON THIS SURFACE.
- DIMENSIONS SHOWN REPRESENT PRODUCT IN DRY, AS MOLDED, CONDITION. ADDITIONAL 2% GROWTH DUE TO SUBSEQUENT MOISTURE ABSORPTION MAY OCCUR AND SHOULD BE ACCOUNTED FOR.
- FOUR RIBS EQUALLY SPACED, NO SPECIFIC ORIENTATION. NO RIBS OR SIX RIBS EQUALLY SPACED, NO SPECIFIC ORIENTATION, OPTIONAL.
- UNDERWRITERS RECOGNIZED COMPONENT LOGO AND CSA CERTIFICATION LOGO TO BE LOCATED ONCE EACH ON SIDE OF HOUSING.
- OBSOLETE PARTS: OBSOLETE CIS STREAMLINING PER D.RENAUD/D.SINISI
- SIX RIB CONSTRUCTION OPTION 2 ONLY FOR P/N 1-480763-1. FOUR RIB CONSTRUCTION OPTION 1 AND NO RIB CONSTRUCTION OPTION 3 NOT PERMISSIBLE FOR P/N 1-480763-1.
- PRELIMINARY - NOT FOR PRODUCTION

MM	IN
33.02	1.300
27.43	1.080
14.73	.580
11.68	.460
7.62	.300
0.38	.015
0.13	.005
MM	IN

CONVERSION TABLE

	COLOR	PART NO.
OBSOLETE	BLACK	480763-9
	GRAY	480763-8
	BLUE	480763-6
	GREEN	480763-5
	YELLOW	480763-4
	ORANGE	480763-3
	RED	480763-2
	BROWN	480763-1
	NATURAL	1-480763-0
	NATURAL	1-480763-1
	COLOR	PART NO.

THIS DRAWING IS A CONTROLLED DOCUMENT.

DWN: R. VESTAL 24FEB95	CHK: R. SWING 24FEB95	APP'D: D. SELF 24FEB95	NAME: PLUG, 5 CIRCUIT, UNIVERSAL MATE-N-LOK™																		
DIMENSIONS: mm		TOLERANCES UNLESS OTHERWISE SPECIFIED:	SIZE: A1																		
<table border="1"> <tr><td>0 PLC</td><td>±</td><td>-</td></tr> <tr><td>1 PLC</td><td>±</td><td>-</td></tr> <tr><td>2 PLC</td><td>±</td><td>0.13</td></tr> <tr><td>3 PLC</td><td>±</td><td>-</td></tr> <tr><td>4 PLC</td><td>±</td><td>-</td></tr> <tr><td>ANGLES</td><td>±</td><td>0°30'</td></tr> </table>		0 PLC	±	-	1 PLC	±	-	2 PLC	±	0.13	3 PLC	±	-	4 PLC	±	-	ANGLES	±	0°30'	APPLICATION SPEC: PRODUCT SPEC	RESTRICTED TO: -
0 PLC	±	-																			
1 PLC	±	-																			
2 PLC	±	0.13																			
3 PLC	±	-																			
4 PLC	±	-																			
ANGLES	±	0°30'																			
MATERIAL: NYLON, UL 94V-2	FINISH: -	WEIGHT: 0.000000	SCALE: 4:1																		
CUSTOMER DRAWING		SIZE: A1 00779	SHEET 1 OF 1																		

STE TE Connectivity