

I

2

3

4

A

B

C

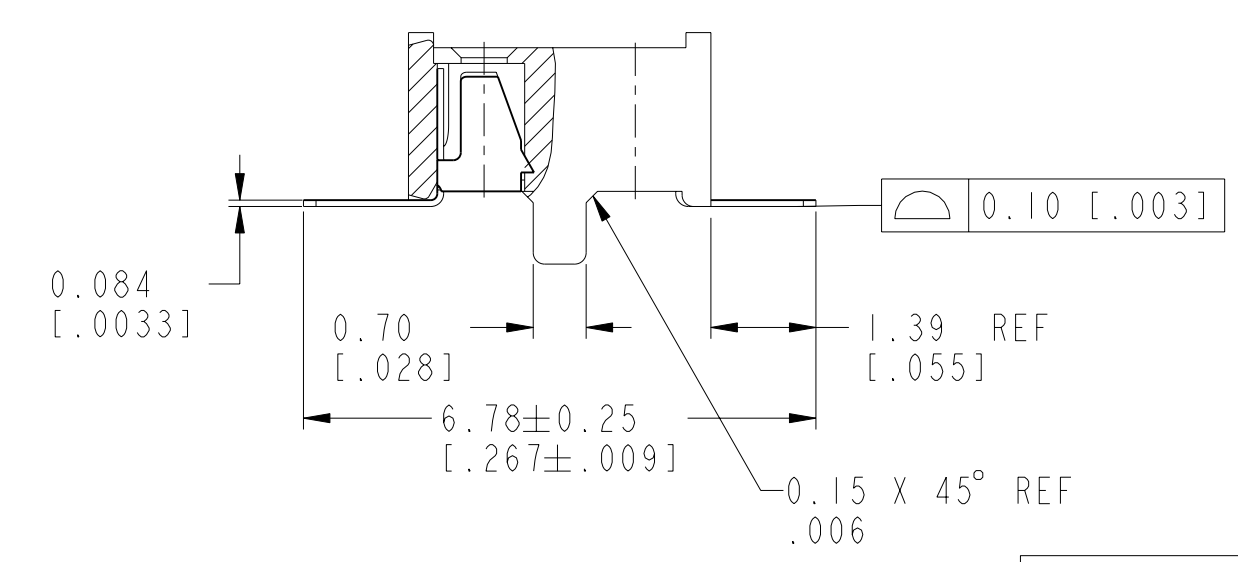
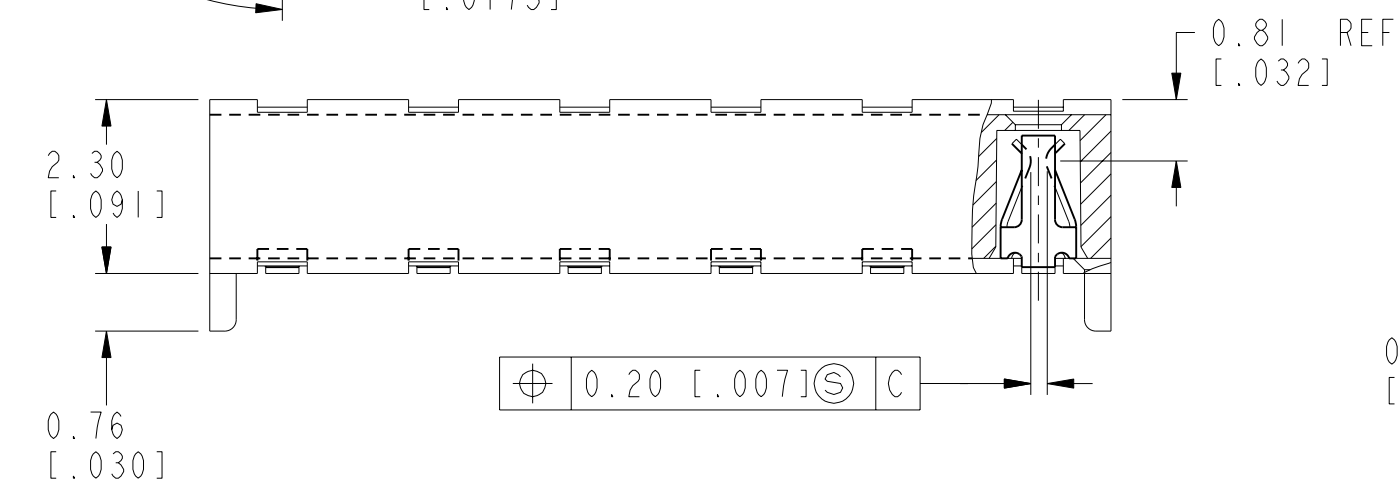
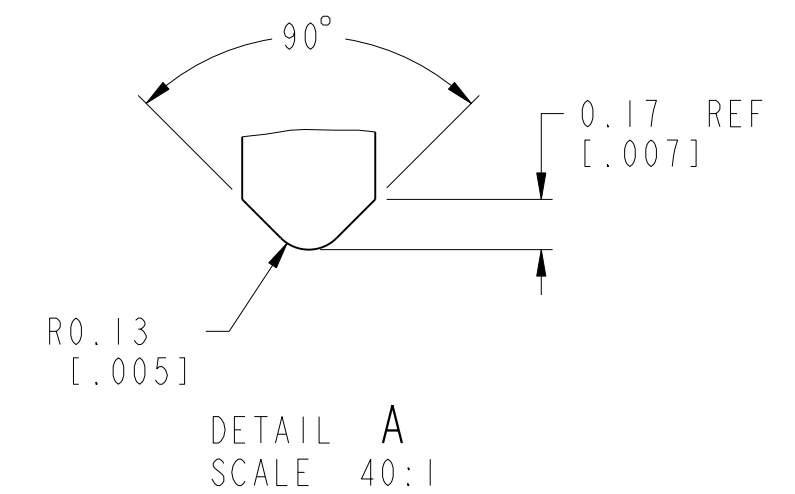
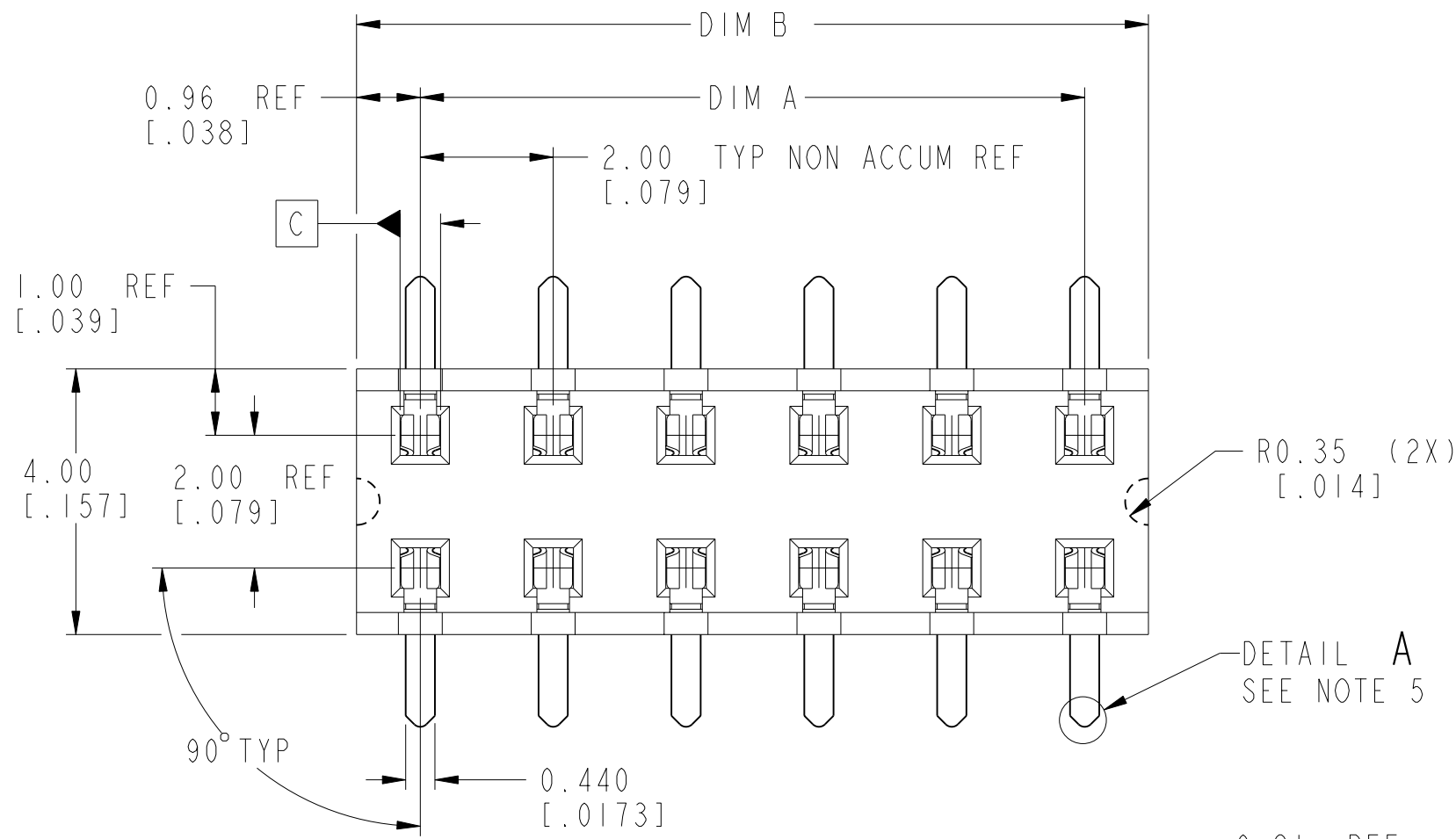
D

A

B

C

D



Copyright FCI.

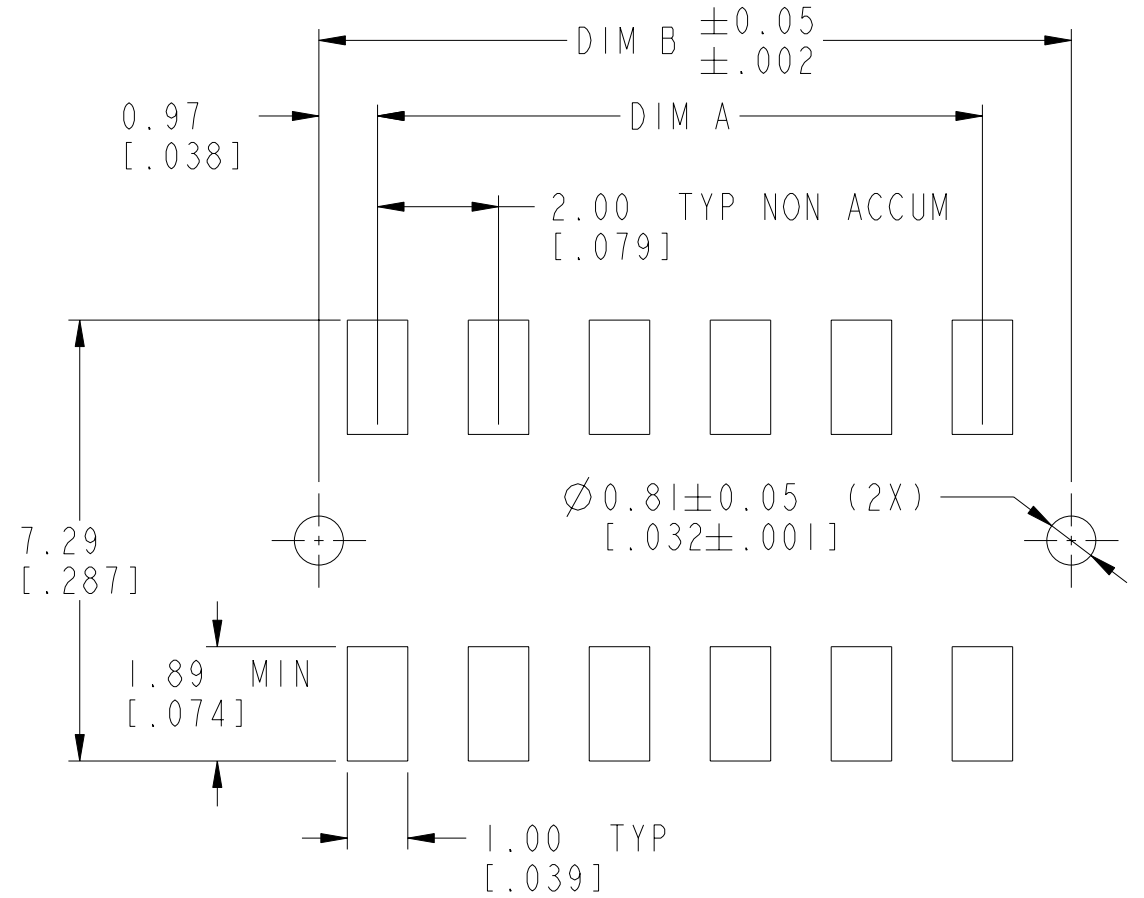
CONFIDENTIAL

www.fciconnect.com			surface - ✓ ISO 1302	tolerance std ISO 406 ISO 1101	projection MM / INCH
TOLERANCES UNLESS OTHERWISE SPECIFIED					
Dr	BS LOW	2000-01-06	ANGULAR	X.X/.XX	±0.3/.01
Eng	BS LOW	2000-01-06		LINEAR	X.XX/.XXX
Chr	KH LEE	2010-06-28	0° ±2°	X.XXX/.XXXX	±0.051/.0020
Appr	JOEY NG	2010-06-28	Product family LPVCC		size A3
Title LOW PROFILE VCC SMT 2.3 TOP ENTRY					ECN S10-0136
Assy with 0.76/.030 LOCATING FEATURES					Scale 10:1
Catalog no -					Spec ref -
FCI					Rev. T
Customer					92090
Sheet 1 of 3					

rev	ecn no	dr	date
N	S40314	BSL	1994-12-20
P	S80115	BSL	1998-05-14
R	V94400	BSL	1999-12-01
S	S05-0025	KBM	2005-02-17
T	S10-0136	NBR	2010-06-28
-	-	-	-
-	-	-	-

PRODUCT NO	POSITIONS	DIM. A	DIM. B
92090-X04	2 X 2	2.00/.079	3.92/.154
-X06	2 X 3	4.00/.158	5.92/.233
-X08	2 X 4	6.00/.236	7.92/.312
-X10	2 X 5	8.00/.315	9.92/.391
-X12	2 X 6	10.00/.394	11.92/.469
-X14	2 X 7	12.00/.472	13.92/.548
-X16	2 X 8	14.00/.551	15.92/.627
-X18	2 X 9	16.00/.630	17.92/.706
-X20	2 X 10	18.00/.709	19.92/.784
-X22	2 X 11	20.00/.787	21.92/.863
-X24	2 X 12	22.00/.866	23.92/.942
-X26	2 X 13	24.00/.945	25.92/1.020
-X28	2 X 14	26.00/1.024	27.92/1.099
-X30	2 X 15	28.00/1.102	29.92/1.178

PLATING OPTIONS OVER CONTACT AREA
0 = 0.2μ/8μ" Au
1 = 0.76μ/30μ" Au
3 = 0.38μ/15μ" Au



RECOMMENDED PAD LAYOUT

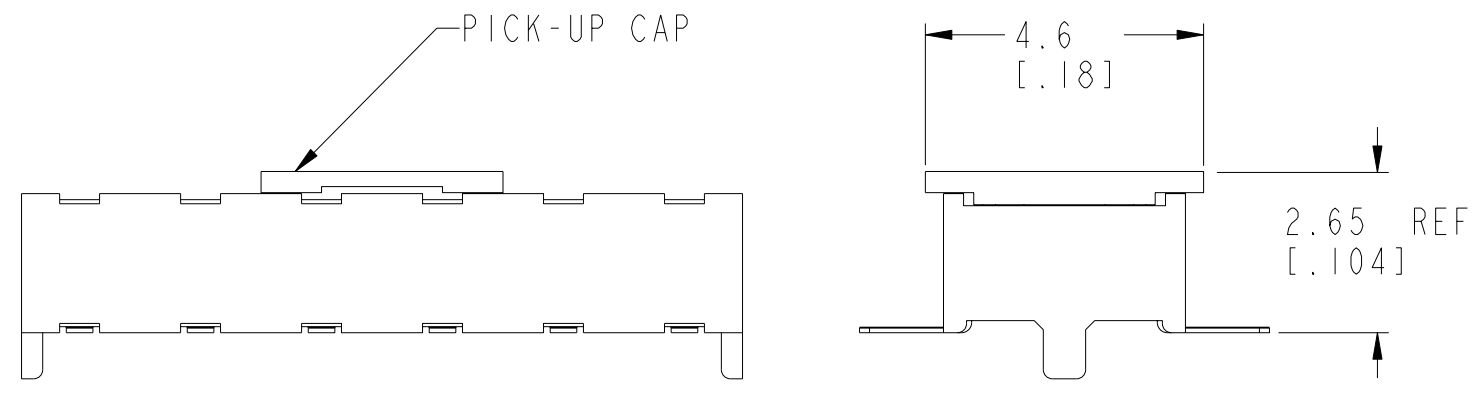


FIG. 1
SEE NOTE 7 (b) & (d)

CONFIDENTIAL

www.fciconnect.com		surface - ✓ ISO 1302	tolerance std ISO 406 ISO 1101	projection MM / INCH
TOLERANCES UNLESS OTHERWISE SPECIFIED				
Dr	BS LOW	2000-01-06	ANGULAR	size A3
Eng	BS LOW	2000-01-06	LINEAR	Scale 10:1
Chr	KH LEE	2010-06-28	0° ±2°	ECN S10-0136
Appr	JOEY NG	2010-06-28	Product family LPVCC	Spec ref -
		LOW PROFILE VCC SMT 2.3 TOP ENTRY ASSY WITH 0.76/.030 LOCATING FEATURES		Rev. T 92090
catalog no -		CUSTOMER		sheet 2 of 3

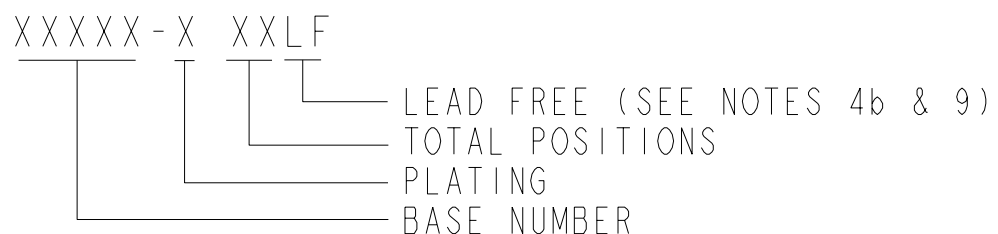
NOTES:

- 1 HOUSING MATERIAL : HIGH TEMP PLASTIC
- 2 TERMINAL MATERIAL : BeCu.
- 3 TERMINAL RETENTION 0.5Kg/1.1 Lbs.

- ④ **△** SOLDER TAILS PLATING:
 - a) SOLDER TAIL OF P/N: 92090 - XXX IS TIN/LEAD PLATED.
 - b) SOLDER TAIL OF P/N: 92090 - XXXLF IS GOLD FLASH PLATED.

- ⑤ 'V' CUT OPTIONAL - MANUFACTURING PROCESS OPTION.

6 PRODUCT DESCRIPTION CODE:



- ⑦ PACKAGING :
 - (a) XXXXX-XXX --- STD PACKAGING IN TUBE
 - (b) XXXXX-XXXTR --- TAPE AND REEL (CONDUCTIVE) PACKAGING WITH PICK-UP CAP (SEE FIG 1).
 - (c) XXXXX-XXXTRN --- TAPE AND REEL (CONDUCTIVE) PACKAGING WITHOUT PICK-UP CAP.
 - (d) XXXXX-XXXCR --- TAPE AND REEL (NON-CONDUCTIVE) PACKAGING WITH PICK-UP CAP (SEE FIG 1).
 - (e) XXXXX-XXXCRN --- TAPE AND REEL (NON-CONDUCTIVE) PACKAGING WITHOUT PICK-UP CAP.

- 8 THE HOUSING WILL WITHSTAND EXPOSURE TO 255°C PEAK TEMPERATURE FOR 10 SECONDS IN A CONVECTION, INFRA-RED OR VAPOR PHASE REFLOW OVEN.

- ⑨ THIS PRODUCT MEETS EUROPEAN UNION DIRECTIVES AND OTHER COUNTRY REGULATIONS AS DESCRIBED IN GS-22-008.

- ⑩ **△** A **△** SYMBOL WILL BE NEXT TO ANY DIMENSION, VIEW OR NOTE WHICH HAS BEEN MODIFIED WITH THE CURRENT DRAWING REVISION.

CONFIDENTIAL

www.fciconnect.com		surface <input checked="" type="checkbox"/> ISO 1302	tolerance std ISO 406 ISO 1101	projection	MM / INCH
TOLERANCES UNLESS OTHERWISE SPECIFIED					
Dr	BS LOW	2000-01-06	ANGULAR	X.X/.XX	±0.3/.01
Eng	BS LOW	2000-01-06	LINEAR	X.XX/.XXX	±0.13/.005
Chr	KH LEE	2010-06-28	0° ±2°	X.XXX/.XXXX	±0.051/.0020
Appr	JOEY NG	2010-06-28	Product family	LPVCC	Spec ref -
FCI		Title		Rev.	
		LOW PROFILE VCC SMT 2.3 TOP ENTRY		92090	
		ASSY WITH 0.76/.030 LOCATING FEATURES		T	
		catalog no		CUSTOMER sheet 3 of 3	

Mouser Electronics

Authorized Distributor

Click to View Pricing, Inventory, Delivery & Lifecycle Information:

[FCI / Amphenol:](#)

[92090-320TRLF](#) [92090-126LF](#) [92090-130LF](#) [92090-320LF](#) [92090-322LF](#) [92090-326LF](#) [92090-018TRLF](#) [92090-318TRLF](#) [92090-024TRLF](#) [92090-106TRLF](#) [92090-028TRLF](#) [92090-006TRLF](#) [92090-012TRLF](#)