

W1G208 Series

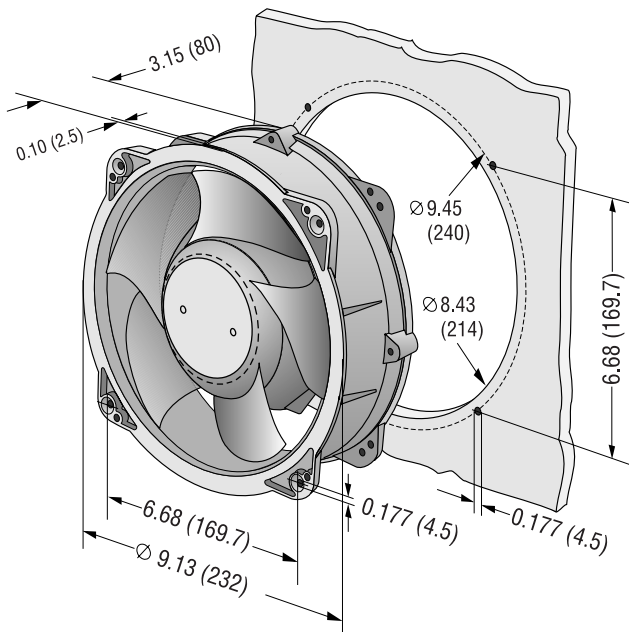
Tubeaxial

Ø 232x80mm

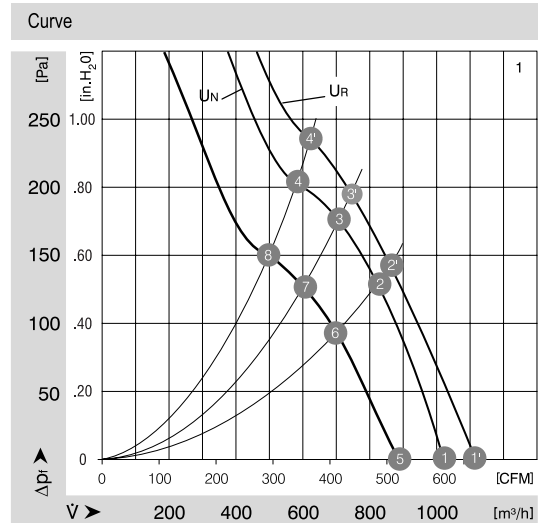


- DC fans with electronically commutated external rotor motor. Fully integrated commutation electronics.
- Maintenance-free ball bearings.
- Die-cast aluminum housing, GDALSi. Impeller of plastic PA6.6, black.
- Mounting from either face using four 4.5 mm holes.
- Air exhaust over struts. Rotational direction CCW looking at rotor.
- Standard terminal strip, cable exit possible via terminal strip.
- UL, CSA, VDE approvals on some models, please contact application engineering.

Part Number	Curve	CFM @ 0	VDC	Volt. Range	Power (W)	dBA	Max Amb. Temp C	Bearing Type	Features	Wgt. (lbs)
W1G208-BA35-52	1	618.0	24	16 to 28	96	74	72	Ball	Terminal	5.07
W1G208-BA73-52	1	618.0	48	36 to 57	96	74	72	Ball	Terminal	5.07



	N [RPM]	P ₁ [W]	η ₀ [%]	L _{pA} [dBA]
1 ①	3740	116	—	75
1 ②	3500	118	52	74
1 ③	3450	119	53	73
1 ④	3530	118	48	75
1 ⑤	3500	96	—	74
1 ⑥	3300	99	52	72
1 ⑦	3250	100	53	72
1 ⑧	3330	99	48	73
1 ⑨	2960	58	—	70
1 ⑩	2830	63	52	69
1 ⑪	2780	64	53	68
1 ⑫	2840	62	48	70



Mouser Electronics

Authorized Distributor

Click to View Pricing, Inventory, Delivery & Lifecycle Information:

[ebm-papst:](#)

[W1G208-BA35-52](#) [W1G208-BA73-52](#) [W1G208-BA73-12](#)