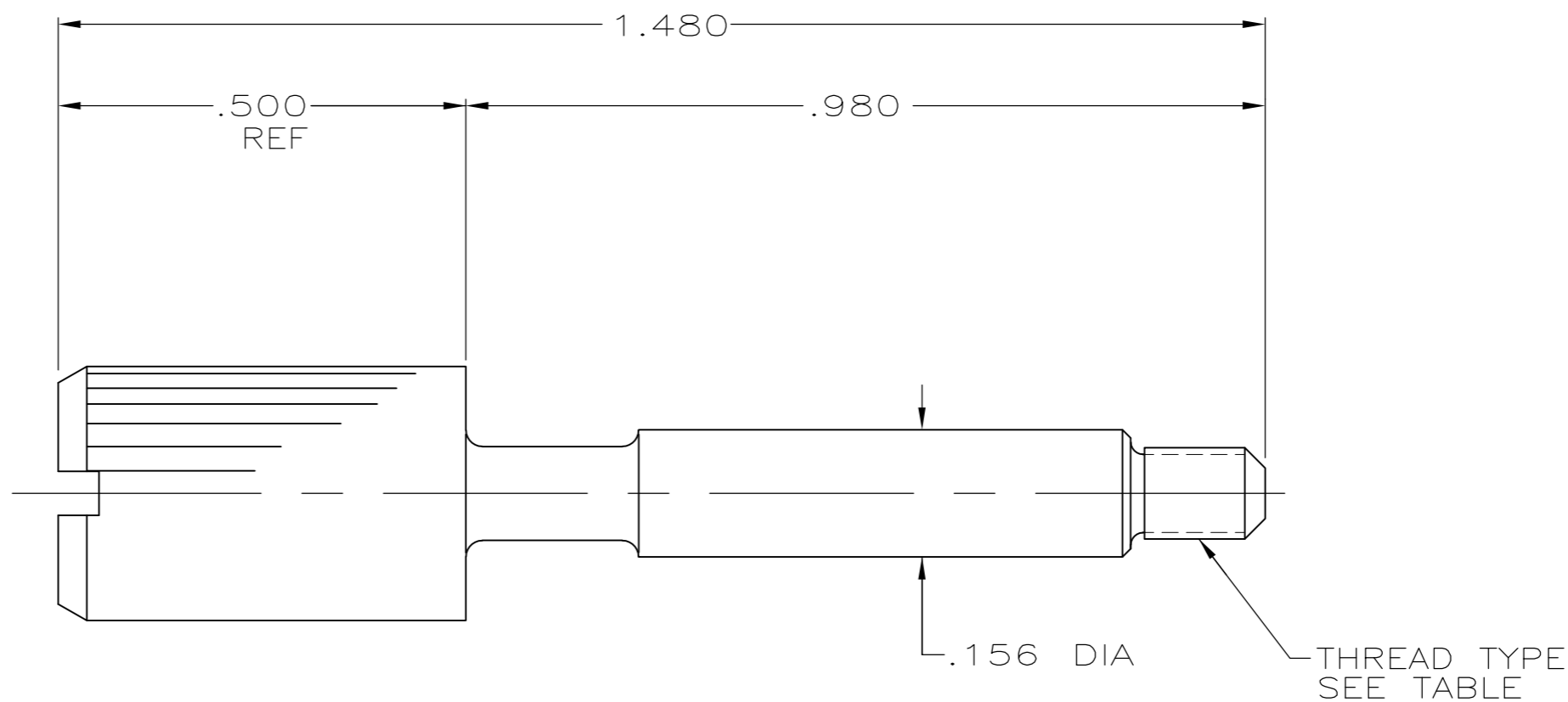
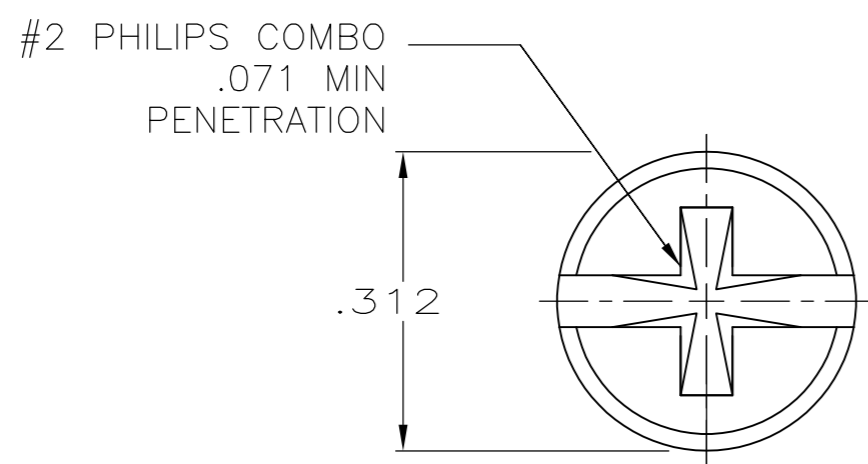


THIS DRAWING IS UNPUBLISHED. RELEASED FOR PUBLICATION
 © COPYRIGHT - By - ALL RIGHTS RESERVED.

REVISIONS				
P	LTR	DESCRIPTION	DATE	APVD
R		REVISED PER ECO-16-016609	29NOV2016	AP RP



- 1 C 1022 CARBON STEEL.
- 2 BLACK ZINC FLAKE COATING.

OBSOLETE	M2.6 X 0.45	748627-8
OBSOLETE	M3 X 0.5	748627-4
	#4-40	748627-2
	THREAD TYPE	PART NUMBER

THIS DRAWING IS A CONTROLLED DOCUMENT.		DWN	B. MCMASTER	26FEB04
DIMENSIONS: INCHES		CHK	C. ROHDE	26FEB04
TOLERANCES UNLESS OTHERWISE SPECIFIED:		APVD	M. WALMSLEY	26FEB04
0 PLC ± -		PRODUCT SPEC	-	
1 PLC ± -		APPLICATION SPEC	-	
2 PLC ± -		WEIGHT	0.000000	A2 00779 C=748627
3 PLC ± .005		CUSTOMER DRAWING	SCALE	5:1
4 PLC ± -		FINISH	2	SHEET
ANGLES ± -			1 of 1	REV
MATERIAL		1		R

STE TE Connectivity
 JACKSCREW, LARGE HEAD,
 SHIELDING ENCLOSURE, AMPLIMITE

748627

Mouser Electronics

Authorized Distributor

Click to View Pricing, Inventory, Delivery & Lifecycle Information:

[TE Connectivity:](#)

[748627-2](#)