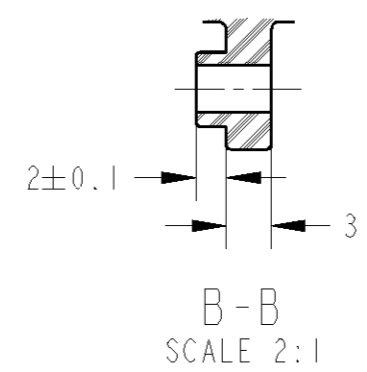
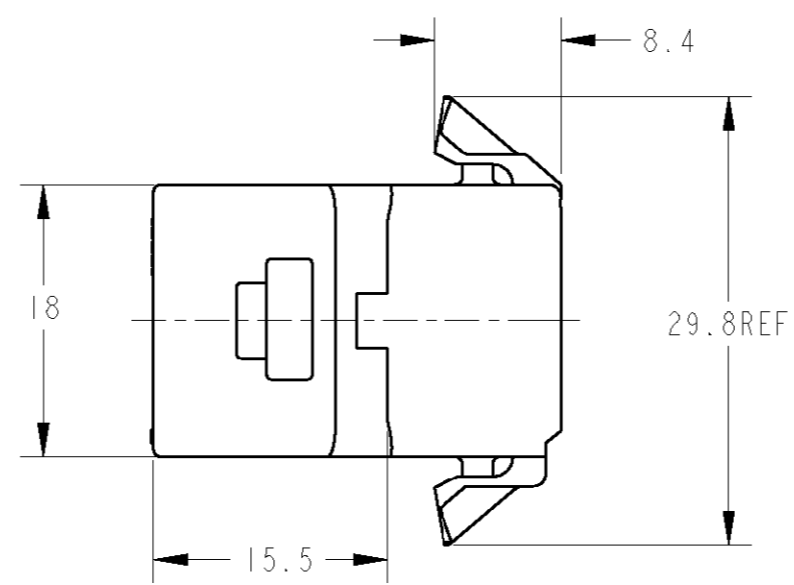
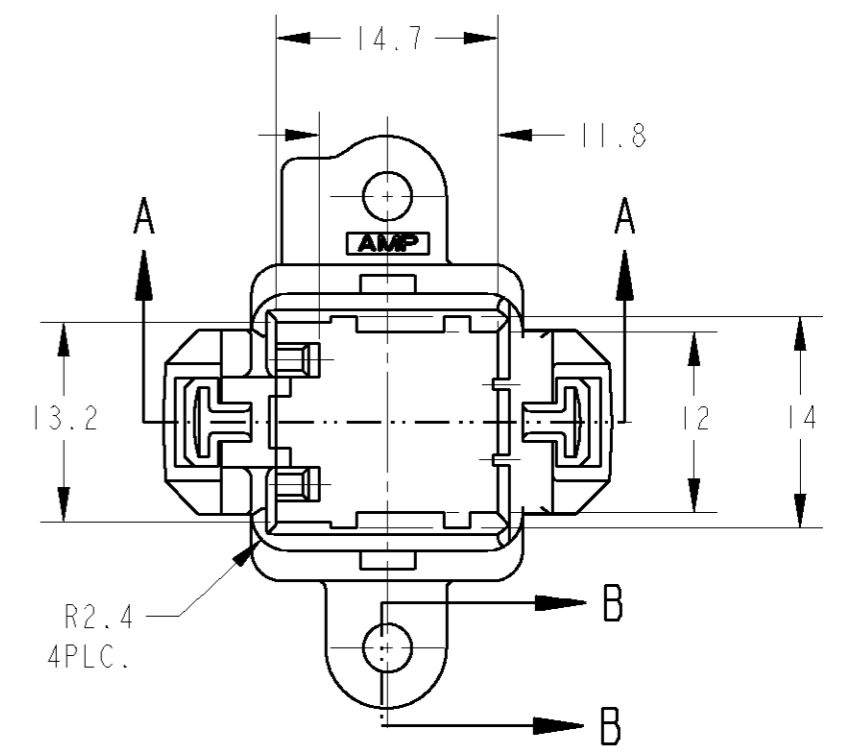
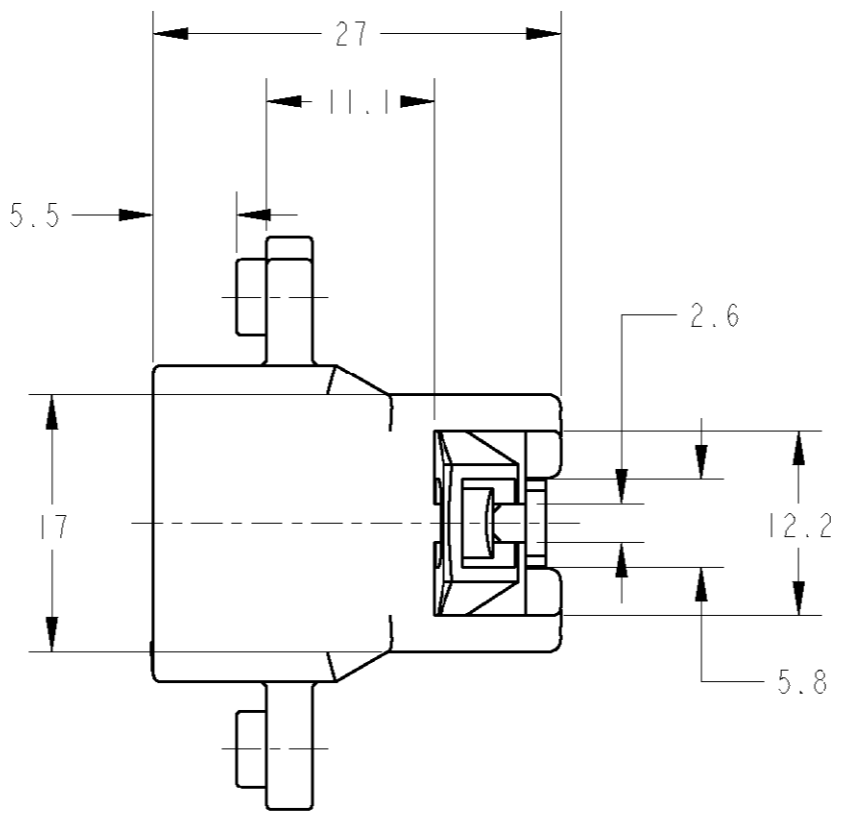
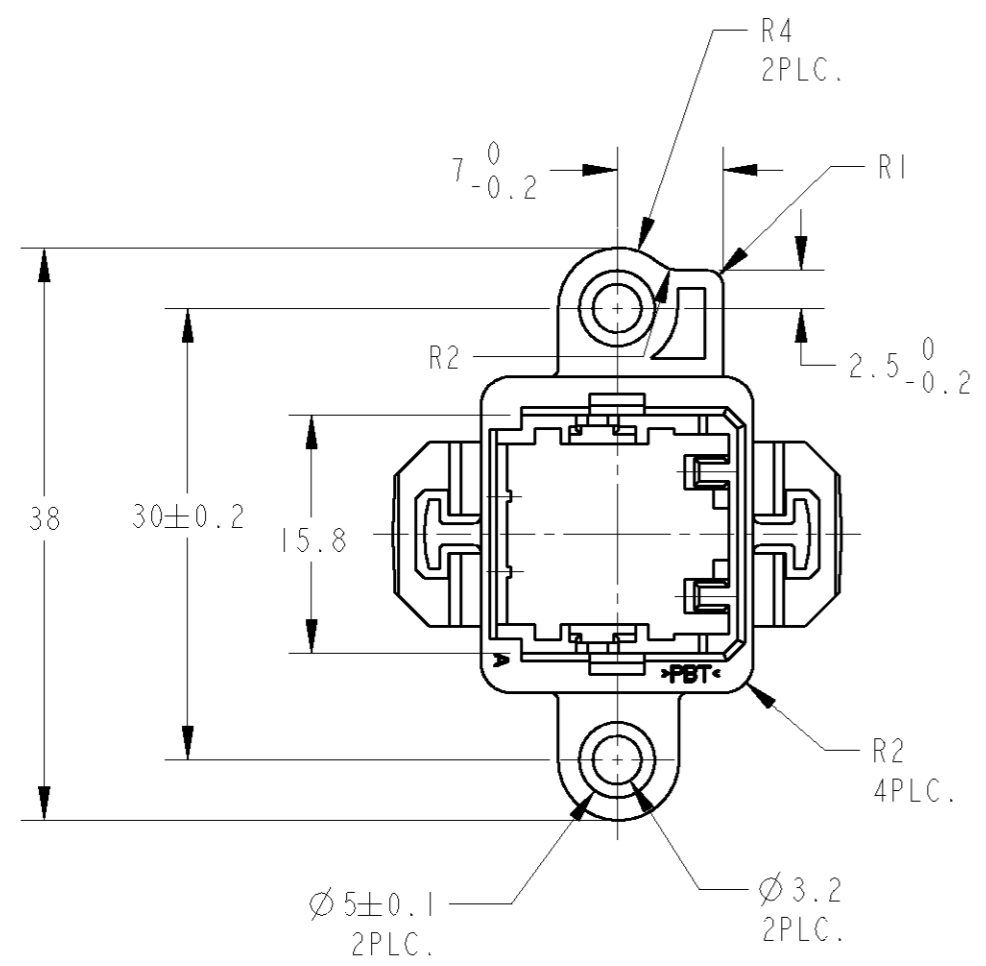


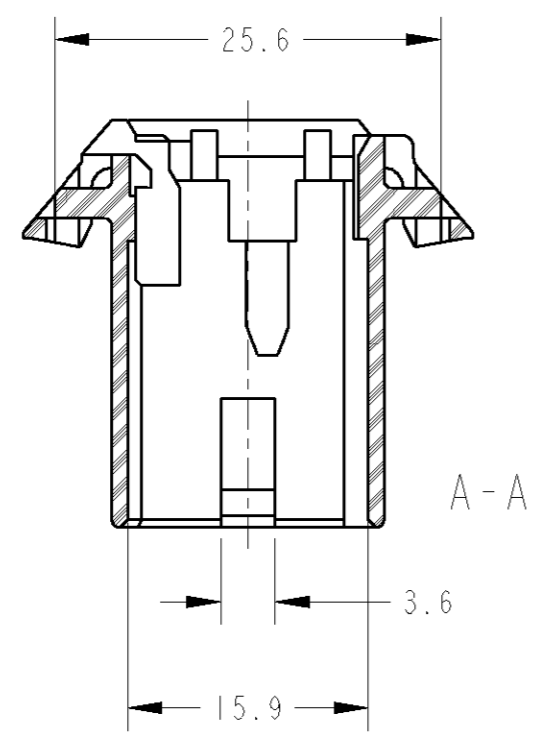
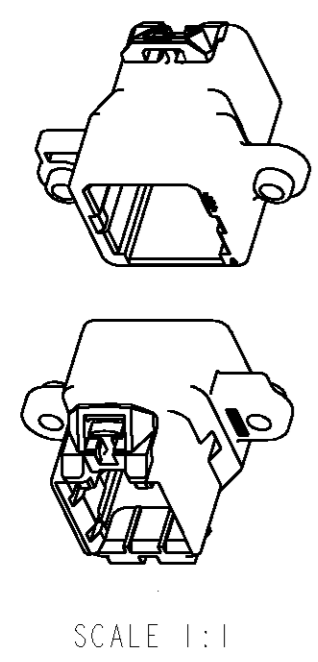
THIS DRAWING IS UNPUBLISHED. RELEASED FOR PUBLICATION
 © COPYRIGHT - BY TYCO ELECTRONICS CORPORATION. ALL RIGHTS RESERVED.

| LOC | DIST | REVISIONS | | | | | | |
|-----|------|-----------|-----|-------------|--------------|---------|-----|------|
| | | P | LTR | DESCRIPTION | ECN | DATE | DWN | APVD |
| J | - | | O | RELEASED | FJ00-1945-01 | 120CT01 | ET | KA |
| | | | A | REVISED | FJ00-2476-01 | 240CT01 | ET | KA |



- 1. THE MATING INNER HOUSING
PART NUMBER ; 1473866
- 2. PACKING STYLE ; INNER - BLISTER
OUTER - PAPER BOX
- 1. 相手ハウジング型番 ; 1473866
- 2. 梱包形態 ; 内装 - フリスター
外表 - タンボール

| | |
|-----------------|---------------------|
| NATURAL (WHITE) | 1473867-1 |
| COLOR 色 | PART NUMBER 製品型番 |



THIS DRAWING IS A CONTROLLED DOCUMENT FOR TYCO ELECTRONICS CORPORATION
 IT IS SUBJECT TO CHANGE AND THE CONTROLLING ENGINEERING ORGANIZATION
 SHOULD BE CONTACTED FOR THE LATEST REVISION.

| | |
|----------------------------|---|
| DIMENSIONS: 単位: 概 mm | TOLERANCES UNLESS OTHERWISE SPECIFIED: ±0.3 |
| | 0 PLC ± |
| | 1 PLC ±0.1 |
| | 2 PLC ±0.01 |
| | 3 PLC ±0.001 |
| | 4 PLC ± |
| | ANGLES ±3°00' |
| MATERIAL 材料 PBT | FINISH 仕上 - |

| | |
|----------------------------|----------|
| DWN E. TAKIZAWA | 120CT01 |
| CHK Y. FUJIWALA | 120CT01 |
| APVD K. ASAI | 120CT01 |
| PRODUCT SPEC 製品規格 | 108-5471 |
| APPLICATION SPEC 取付適用規格 | |
| WEIGHT | 4.5 g |

| | | | |
|---|--------------------|-------------------------|--------------------------|
| WIRE RANGE 抱合電線断面積 | | INSULATION DIA 被覆外径 | |
| AMP Tyco Electronics AMP K.K. Kawasaki, Japan | | | |
| NAME 名称 040MLC CONNECTOR 8 POSITIONS CAP OUTER HOUSING (2 PIECES) | | | |
| SIZE A3 | CAGE CODE 00779 | DRAWING NO C=1473867 | RESTRICTED TO |
| CUSTOMER DRAWING | | SCALE 尺度 2:1 | SHEET 1 OF 1 REV A |

Mouser Electronics

Authorized Distributor

Click to View Pricing, Inventory, Delivery & Lifecycle Information:

[TE Connectivity:](#)

[1473867-1](#)