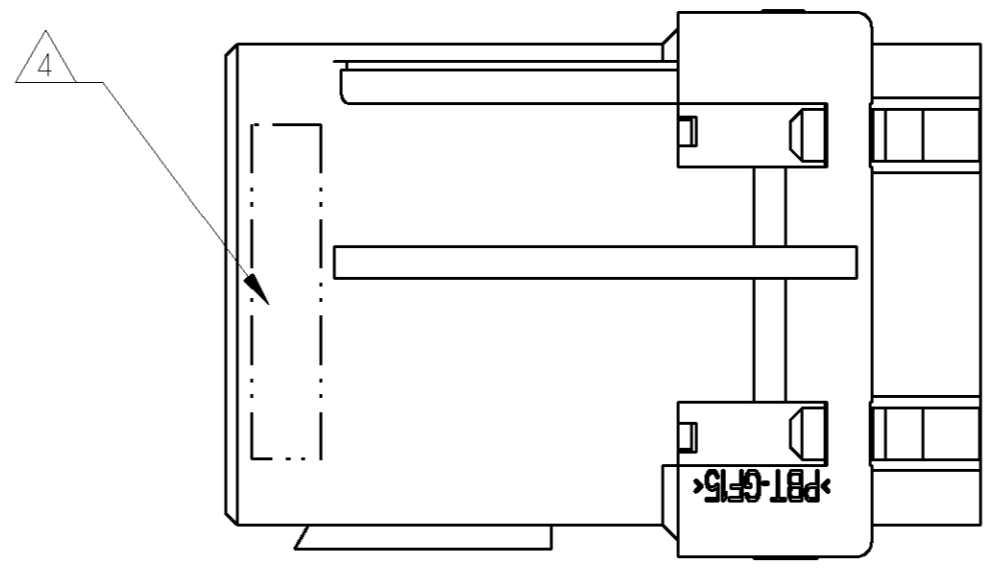
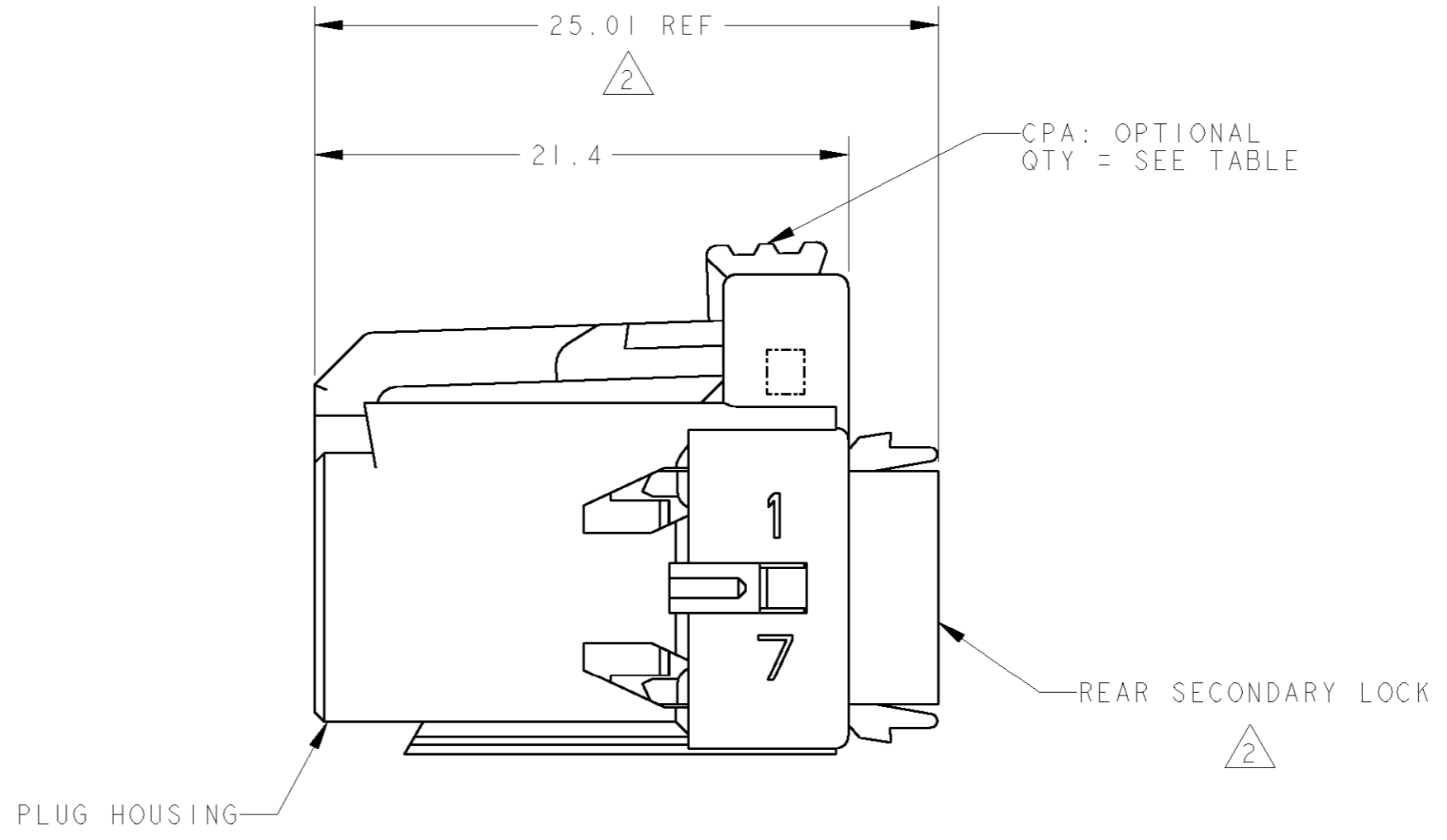
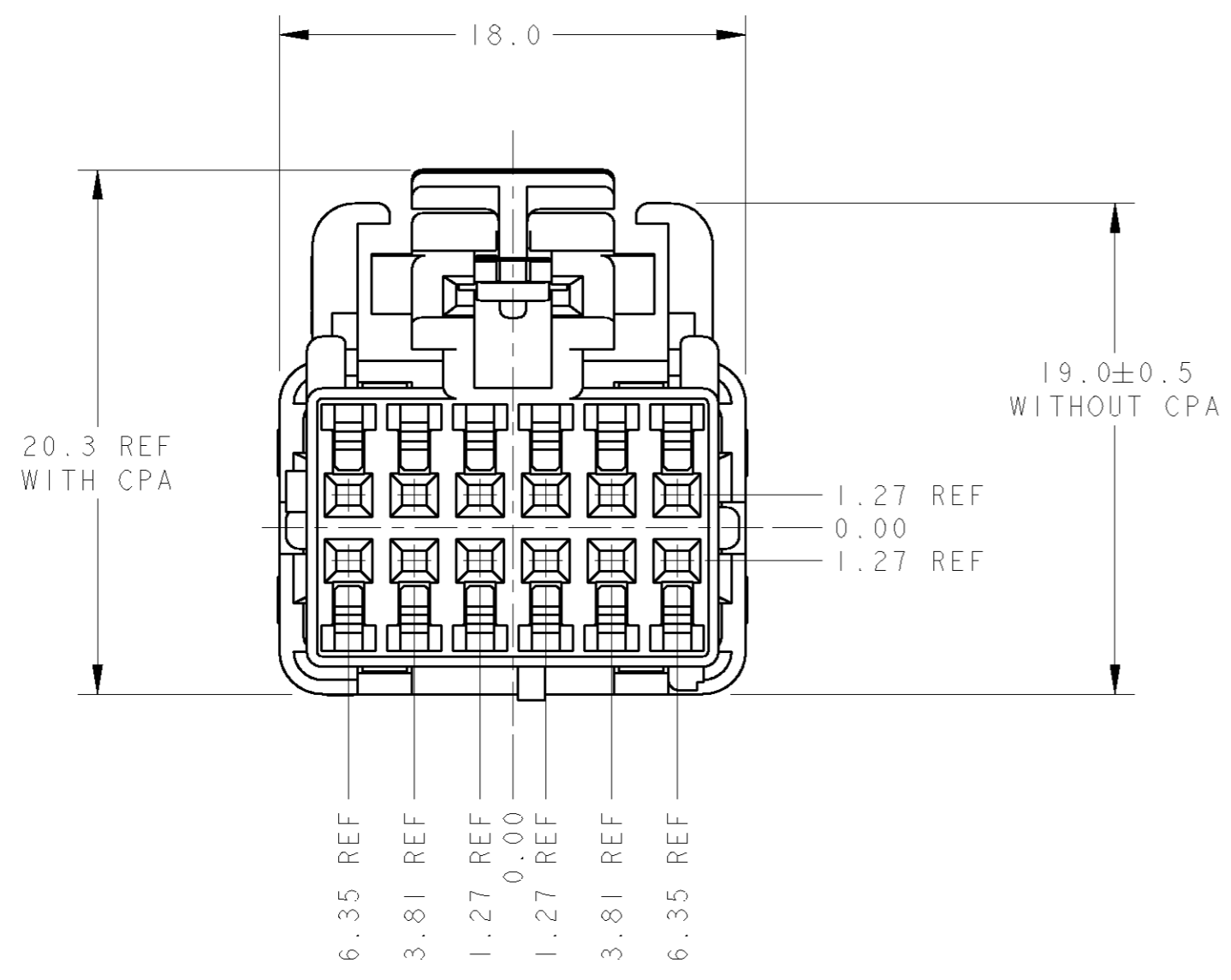


THIS DRAWING IS UNPUBLISHED. RELEASED FOR PUBLICATION  
 © COPYRIGHT 19 BY TYCO ELECTRONICS CORPORATION. ALL RIGHTS RESERVED.

LOC	DIST	REVISIONS					
		P	LTR	DESCRIPTION	DATE	DWN	APVD
FX	00		A	RELEASED PER NPR 2001054	19APR2001	DWF	DWF



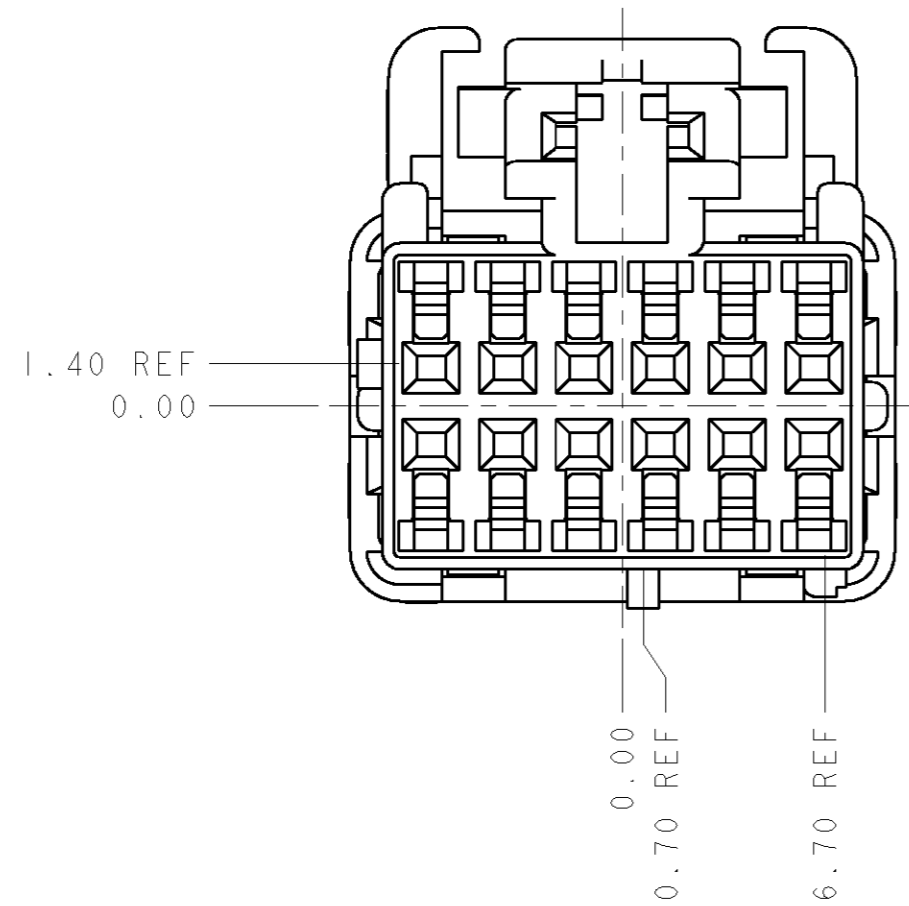
- 638394-5 SHOWN.
- REAR SECONDARY LOCK, SHOWN IN PRE-LATCHED POSITION.
- PLUG HOUSING: PBT, 15% GLASS FILLED, 25% MAX REGRIND, COLOR: SEE TABLE. REAR SECONDARY LOCK: PBT, UNFILLED, GRAY, 25% MAX REGRIND. CPA: PBT, 15% GLASS FILLED, RED, 25% MAX REGRIND.
- MARK FOUR DIGIT JULIAN DATE CODE (DDDY), LOCATED IN APPROXIMATE AREA SHOWN.
- TERMINALS SOLD SEPARATELY, SEE AMP RECOMMENDED P/N 1326028 (GOLD) OR 638551 (TIN) FOR TERMINATION AND REELING OPTIONS.
- THIS PRODUCT HAS A MISMATING FORCE OF 100 NEWTONS.
- WEIGHT OF ASSEMBLY WITH CPA IS: 3.6 GRAMS  
WEIGHT OF ASSEMBLY WITHOUT CPA IS: 3.5 GRAMS

COLOR	CPA QTY	KEYING ARRANGEMENT (SEE SHEET 2)	PART NUMBER
GREEN	1	"D"	638394-8
BLUE	1	"C"	638394-7
YELLOW	1	"B"	638394-6
BLACK	1	"A"	638394-5
GREEN	N/A	"D"	638394-4
BLUE	N/A	"C"	638394-3
YELLOW	N/A	"B"	638394-2
BLACK	N/A	"A"	638394-1

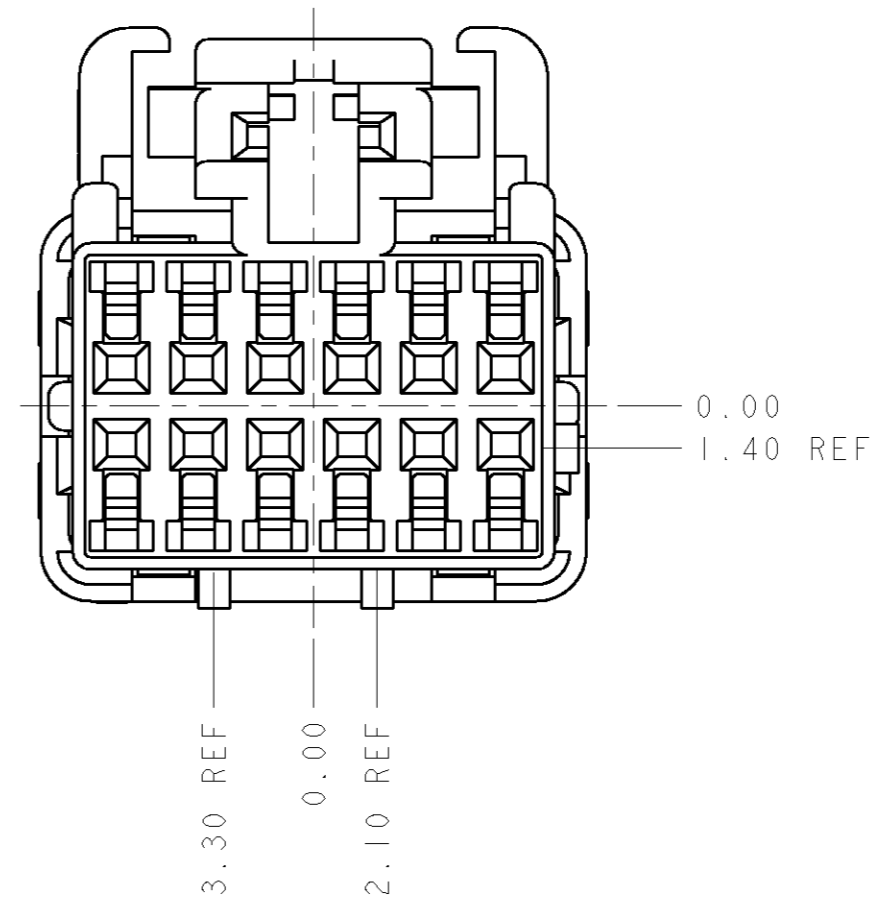
THIS DRAWING IS A CONTROLLED DOCUMENT FOR TYCO ELECTRONICS CORPORATION IT IS SUBJECT TO CHANGE AND THE CONTROLLING ENGINEERING ORGANIZATION SHOULD BE CONTACTED FOR THE LATEST REVISION.		DWN: D. FRY 26AUG99 CHK: A. EBRAHEEM 19APR2001 APVD: G. BALON 19APR2001	AMP Incorporated Harrisburg, PA 17105-3608
DIMENSIONS: mm TOLERANCES UNLESS OTHERWISE SPECIFIED: 0 PLC ± 1 PLC ±0.4 2 PLC ±0.30 3 PLC ± 4 PLC ± ANGLES ± FINISH -	PRODUCT SPEC: SAE/USCAR-2 8/97 APPLICATION SPEC: - WEIGHT: 3.6	NAME: PLUG ASSEMBLY, UNSEALED, 12 POSITION 2X6, 0.64mm CONNECTOR SIZE: A2 CAGE CODE: 00779 DRAWING NO: 638394 RESTRICTED TO: - SCALE: 4:1 SHEET 1 OF 2 REV A	
MATERIAL: 3		CUSTOMER DRAWING	

THIS DRAWING IS UNPUBLISHED. RELEASED FOR PUBLICATION  
 © COPYRIGHT 19 BY TYCO ELECTRONICS CORPORATION. ALL RIGHTS RESERVED.

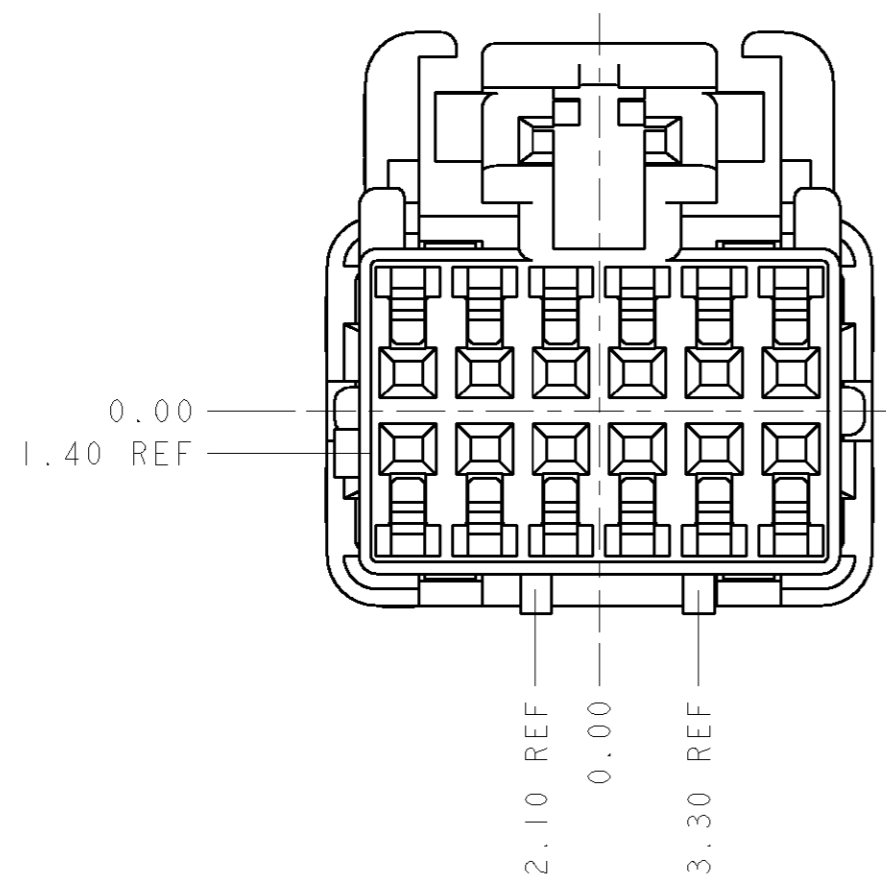
LOC	DIST	REVISIONS					
		P	LTR	DESCRIPTION	DATE	DWN	APVD
FX	00	-		SEE SHEET 1	-	-	-



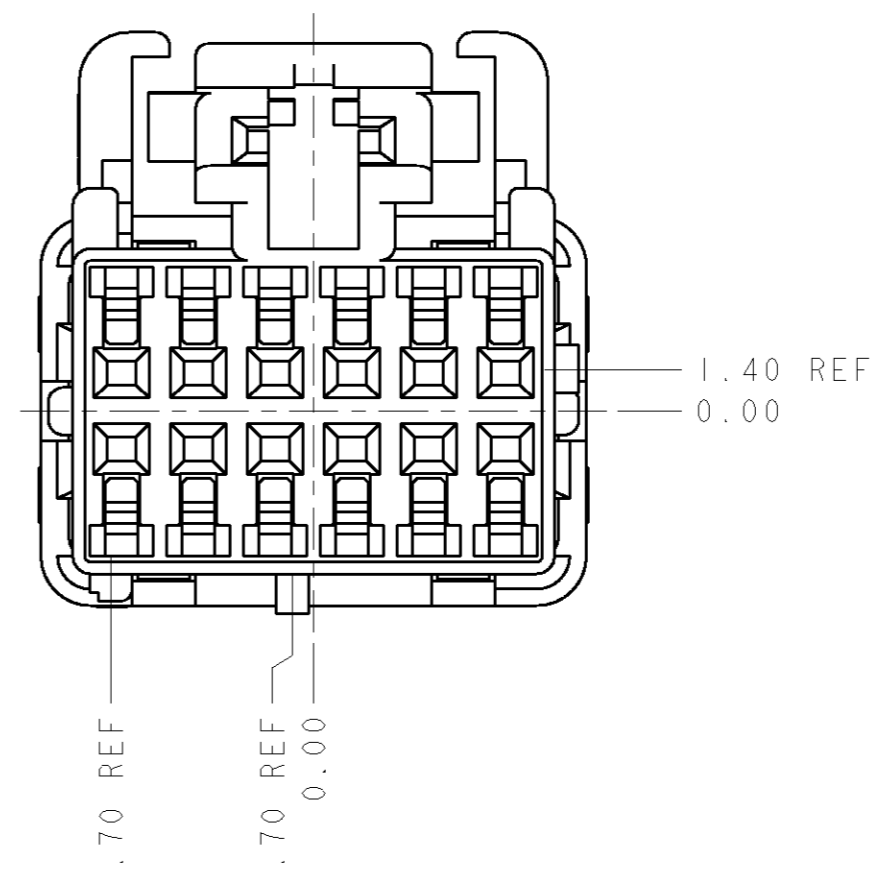
KEY CODE "A"  
 (APPLIES TO -1 AND -5 ONLY)  
 SCALE 4:1



KEY CODE "B"  
 (APPLIES TO -2 AND -6 ONLY)  
 SCALE 4:1



KEY CODE "C"  
 (APPLIES TO -3 AND -7 ONLY)  
 SCALE 4:1



KEY CODE "D"  
 (APPLIES TO -4 AND -8 ONLY)  
 SCALE 4:1

<small>THIS DRAWING IS A CONTROLLED DOCUMENT FOR TYCO ELECTRONICS CORPORATION          IT IS SUBJECT TO CHANGE AND THE CONTROLLING ENGINEERING ORGANIZATION          SHOULD BE CONTACTED FOR THE LATEST REVISION.</small>		DWN D. FRY 26AUG99 CHK A. EBRAHEEM 19APR2001 APVD G. BALON 19APR2001	<b>AMP</b> AMP Incorporated Harrisburg, PA 17105-3608
DIMENSIONS: mm 	TOLERANCES UNLESS OTHERWISE SPECIFIED: 0 PLC ± 1 PLC ±0.4 2 PLC ±0.30 3 PLC ± 4 PLC ± ANGLES ± FINISH -	NAME PLUG ASSEMBLY, UNSEALED, 12 POSITION 2X6, 0.64mm CONNECTOR	RESTRICTED TO -
MATERIAL	-	PRODUCT SPEC - APPLICATION SPEC - WEIGHT -	SIZE A2 CAGE CODE 00779 DRAWING NO 638394
CUSTOMER DRAWING		SCALE 4:1	SHEET 2 OF 2 REV A

# Mouser Electronics

Authorized Distributor

Click to View Pricing, Inventory, Delivery & Lifecycle Information:

[TE Connectivity:](#)

[638394-1](#)