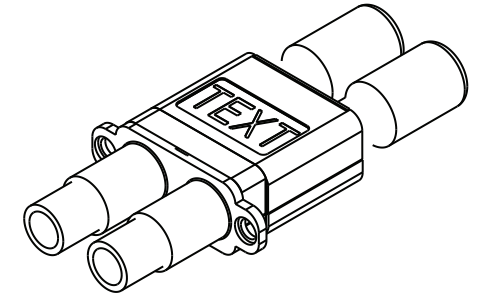


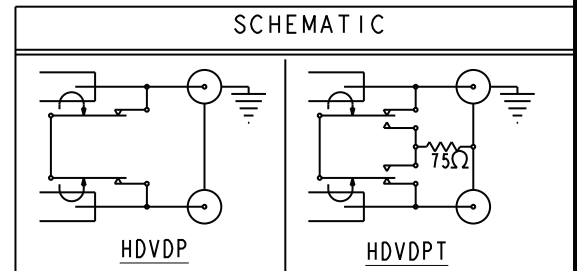
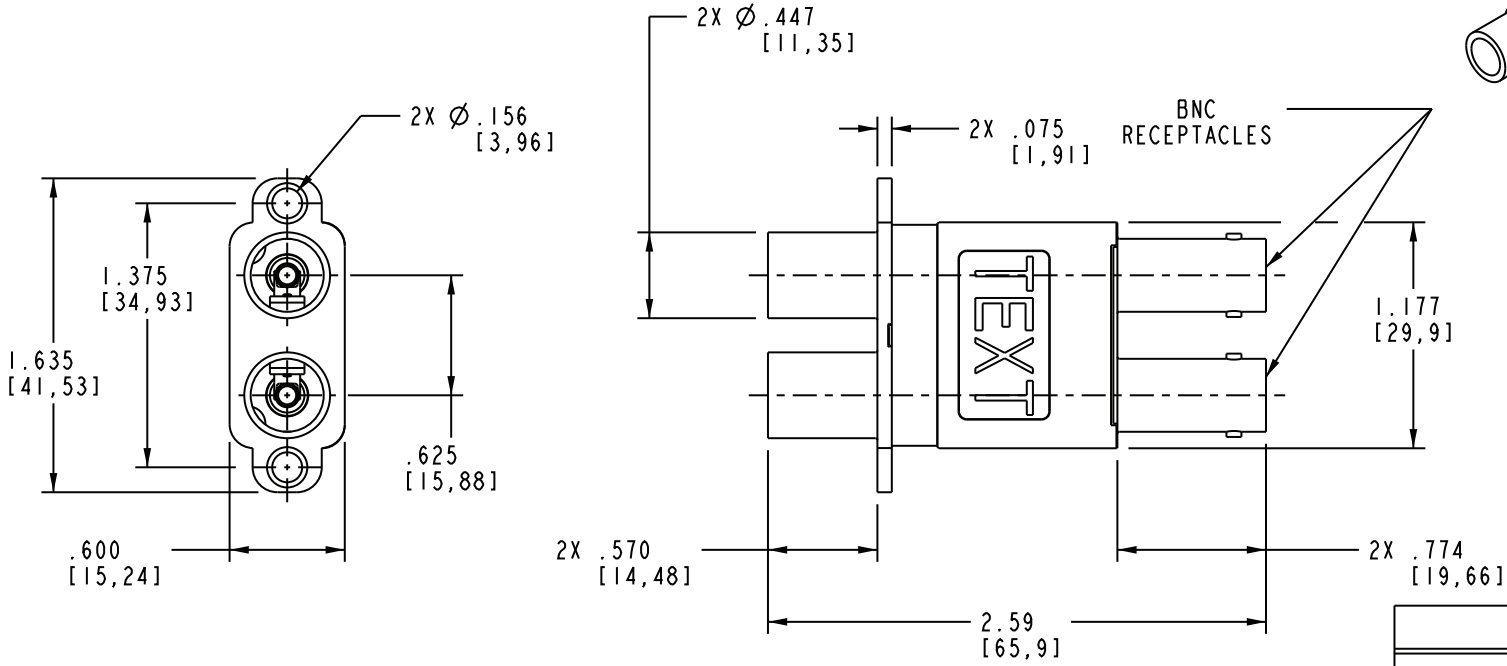
DASH NO	MODEL NO	VERSION
-1	HDVDP	UNTERMINATED
-2	HDVDPT	TERMINATED (75Ω)
-3	HDVDPN	UNTERMINATED, NO ACTUATOR

DATA CONTAINED IN THIS DOCUMENT IS PROPRIETARY TO EMERSON CONNECTIVITY SOLUTIONS AND SHALL NOT BE DISCLOSED, COPIED OR USED FOR PROCUREMENT OR MANUFACTURE WITHOUT EXPRESS WRITTEN PERMISSION

REVISIONS			
REV	DESCRIPTIONS	DATE	APPROVED
B	ECO 52113	2/8/10	T. KOHLER



SCALE 3/4



5. UNIT SUPPLIED WITH TWO 6-32 MOUNTING SCREWS (LOOSE)
4. TERMINATED VERSION (HDVDPT) IS SUPPLIED WITH A 75Ω, 1/4W, 1% RESISTOR
3. FINISH- HOUSING: TFS-1AA Ni  
CONTACTS: TFS-1B Au
2. THIS UNIT PERFORMS UP TO 2.0 GHz WITH RETURN LOSS (S11) BETTER THAN -20 dB IN NORMAL-THROUGH MODE AND BETTER THAN -14dB IN PATCH-THROUGH MODE
1. 75Ω HIGH DEFINITION VIDEO DUAL COAXIAL NORMAL-THROUGH PATCH JACK, TERMINATED AND UN-TERMINATED WITH BNC RECEPTACLES

NOTES: UNLESS OTHERWISE SPECIFIED.

INTERPRET DRAWING PER MIL-STD-100. DIMENSIONS ARE IN INCHES AND INCLUDE FINISH THICKNESS UNLESS OTHERWISE SPECIFIED.

TOL: UNLESS SPECIFIED.  
 .XX ± .02 [1,5080]  
 .XXX ± .010 [1,2540]  
 ANGLE ± 1°



Cinch Connectivity Solutions  
 299 Johnson Ave. Ste. 100  
 Waseca, MN 56093  
 1-800-247-8256

DRW C. WALLACE	2/17/10	MATERIAL:	TITLE: <b>HIGH DEFINITION VIDEO DUAL PATCH</b>
CHK		FINISH:	SIZE A
QUALITY			CAGE CODE 14949
MANUF			DRAWING NO. 1-0664
APPROVED			REV. B
SURFACE AREA	PROJ TITLE NO. 1-0664	DO NOT SCALE DWG	SCALE 1/1
			DATE
			SHEET 1 OF 2

# Mouser Electronics

Authorized Distributor

Click to View Pricing, Inventory, Delivery & Lifecycle Information:

[Cinch Connectivity Solutions:](#)

[HDVDP](#)