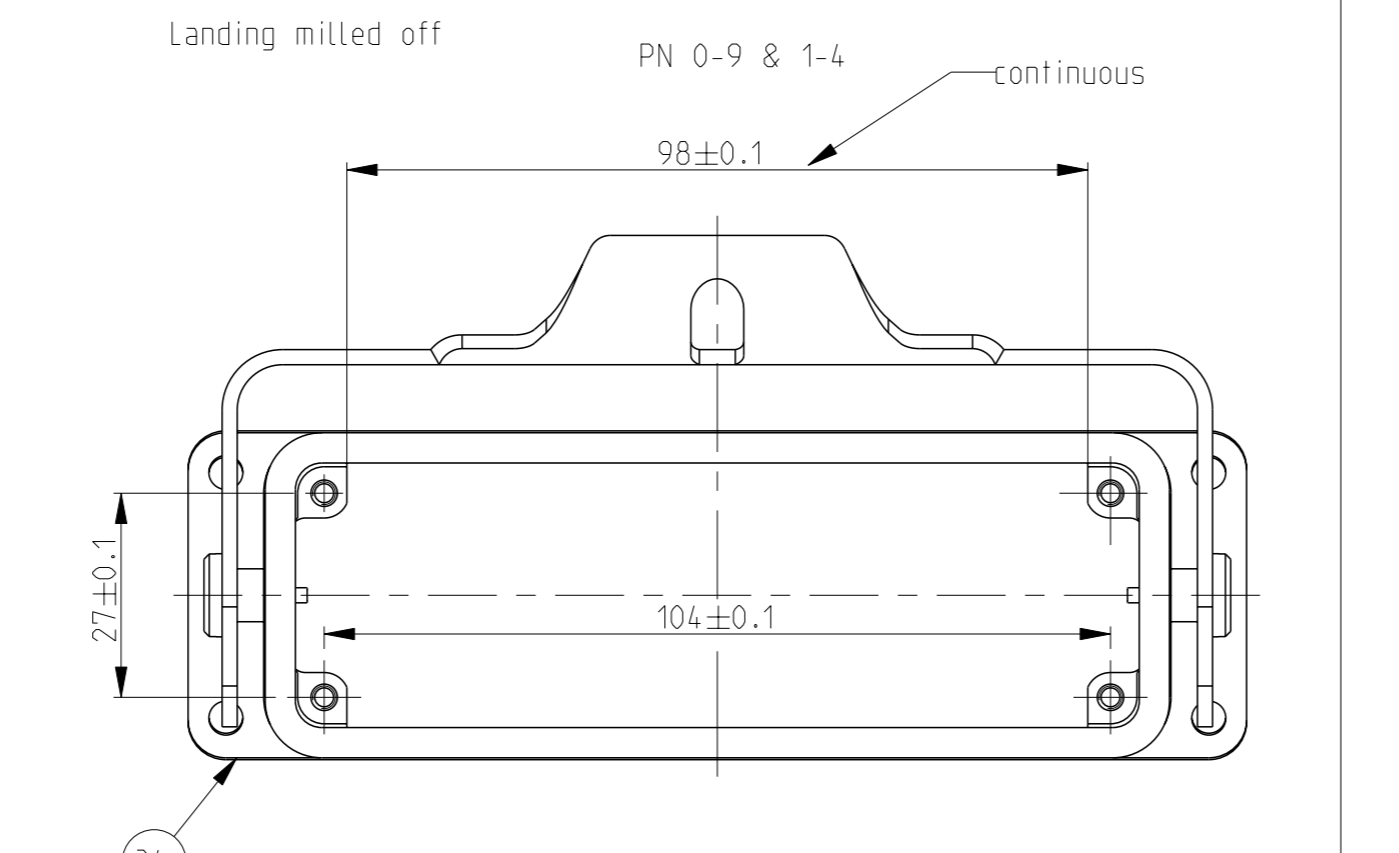
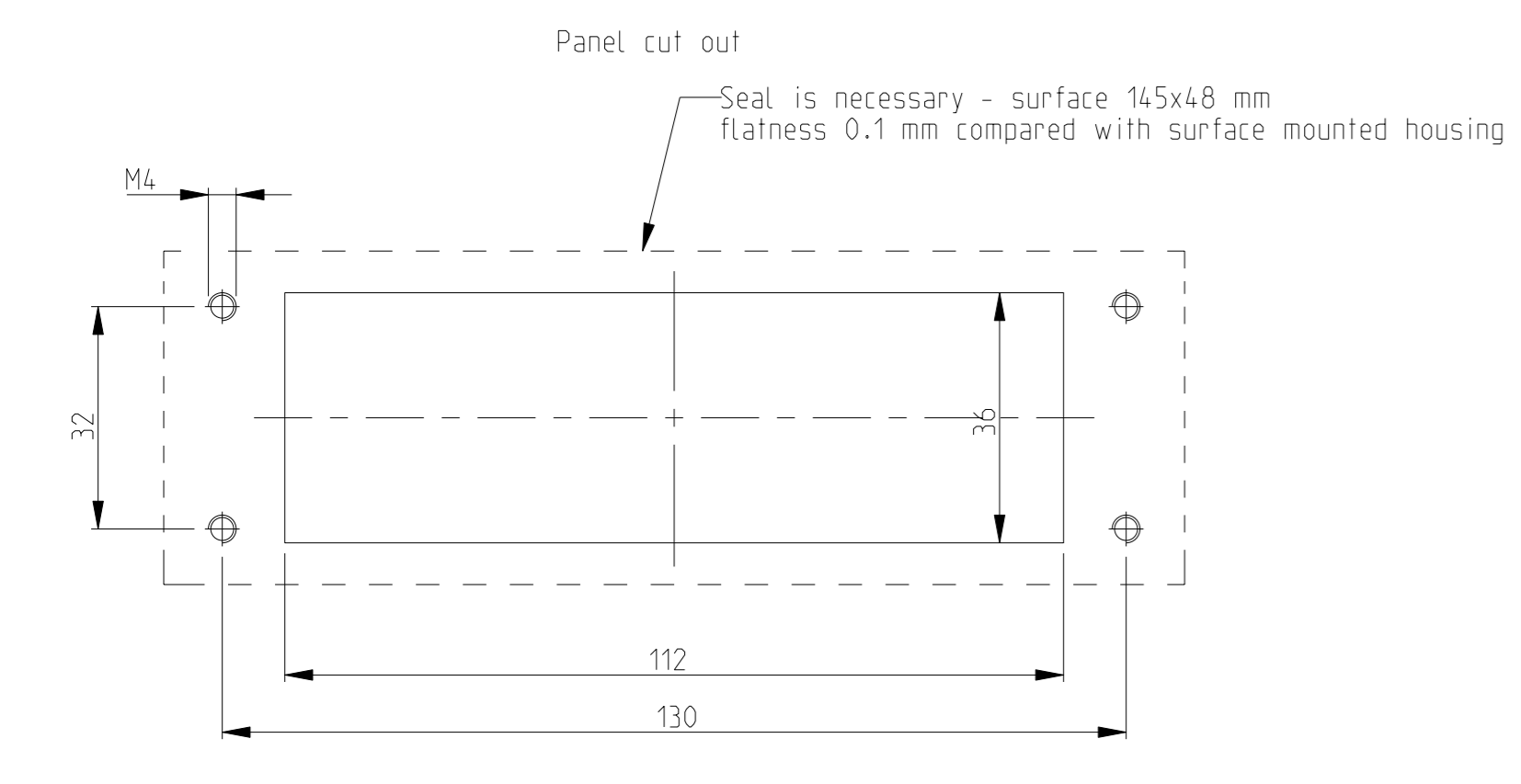
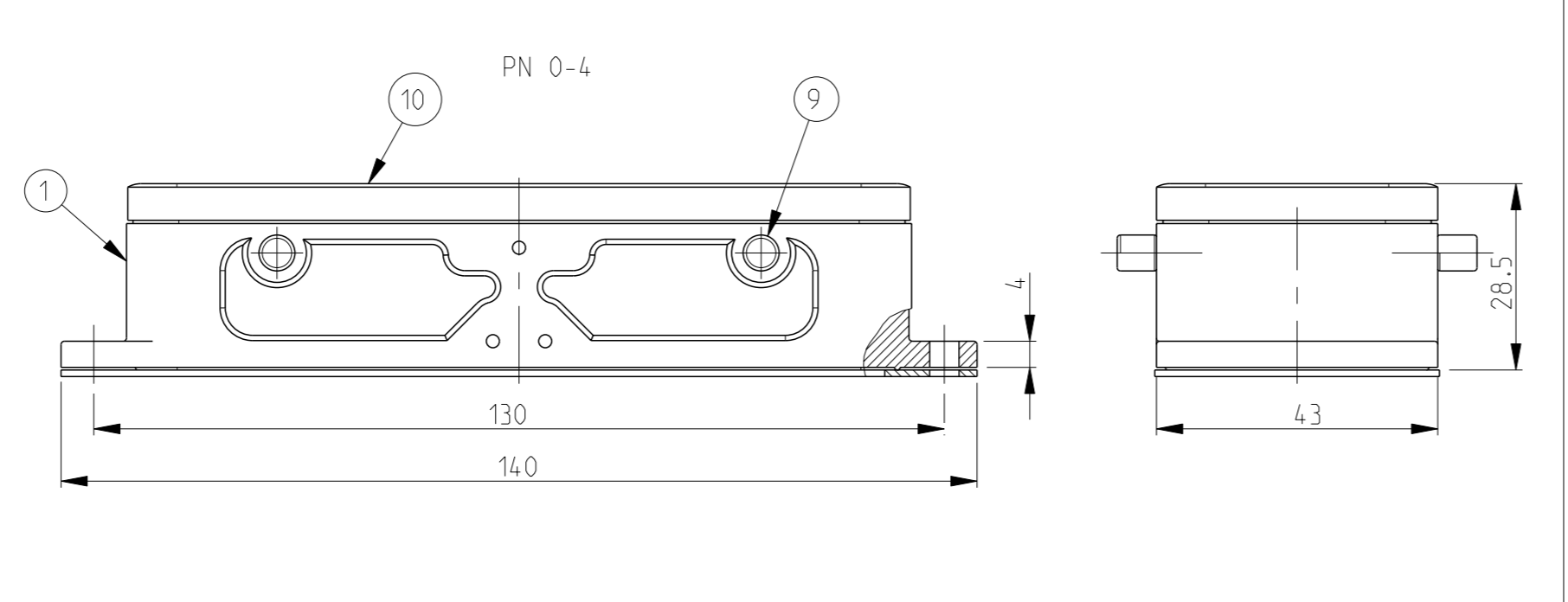
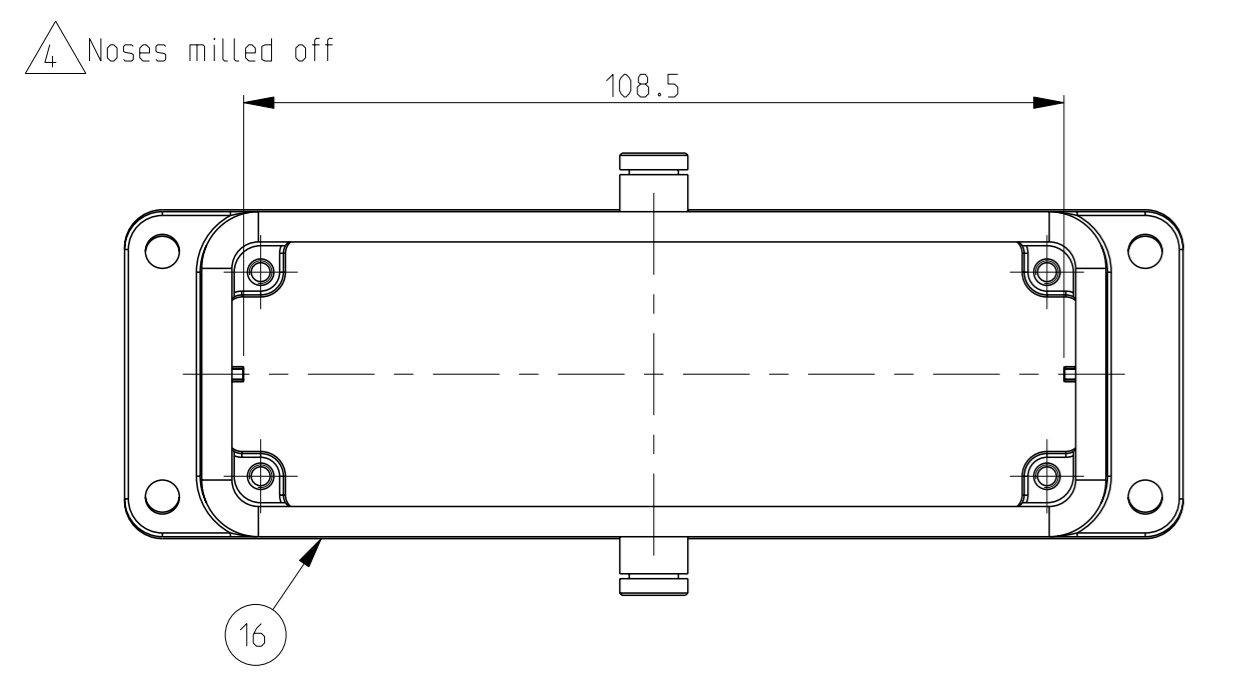
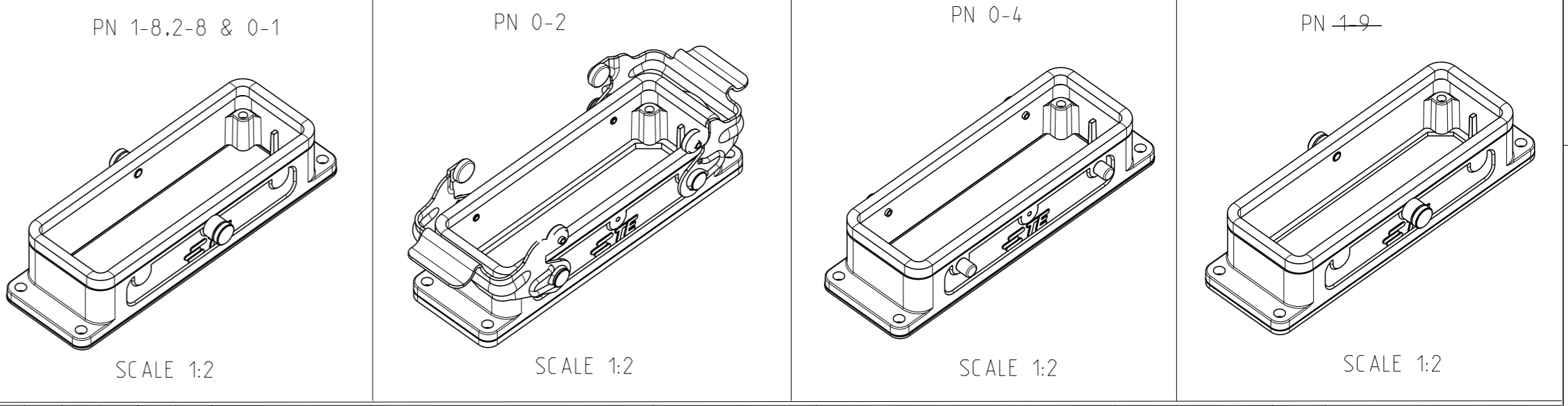
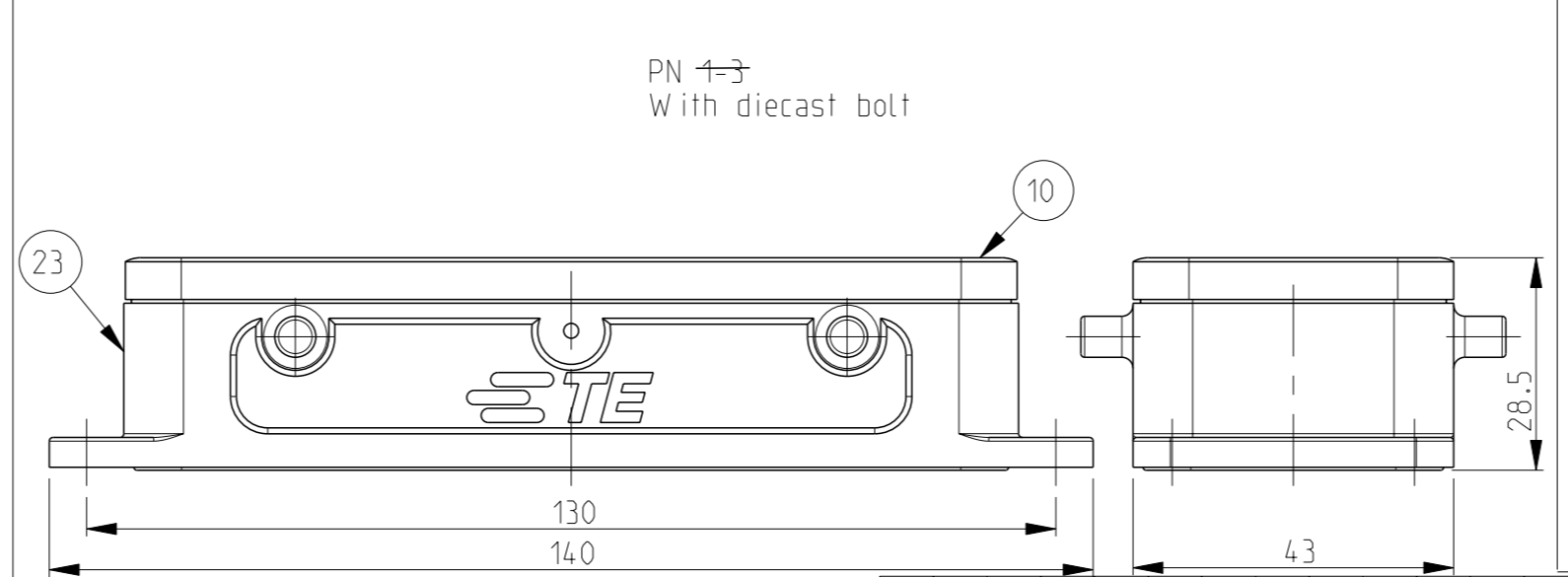
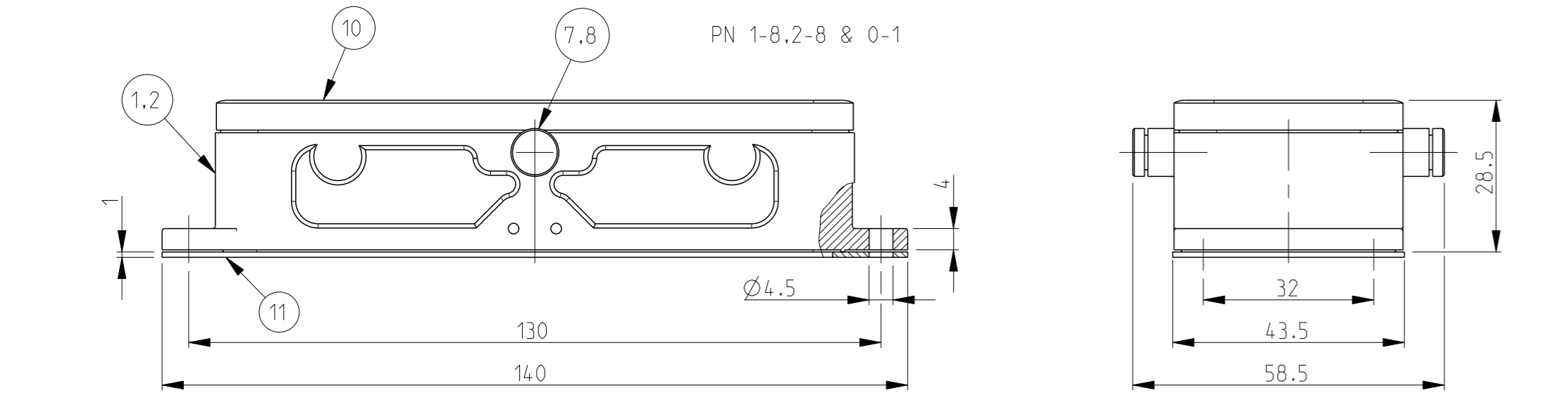
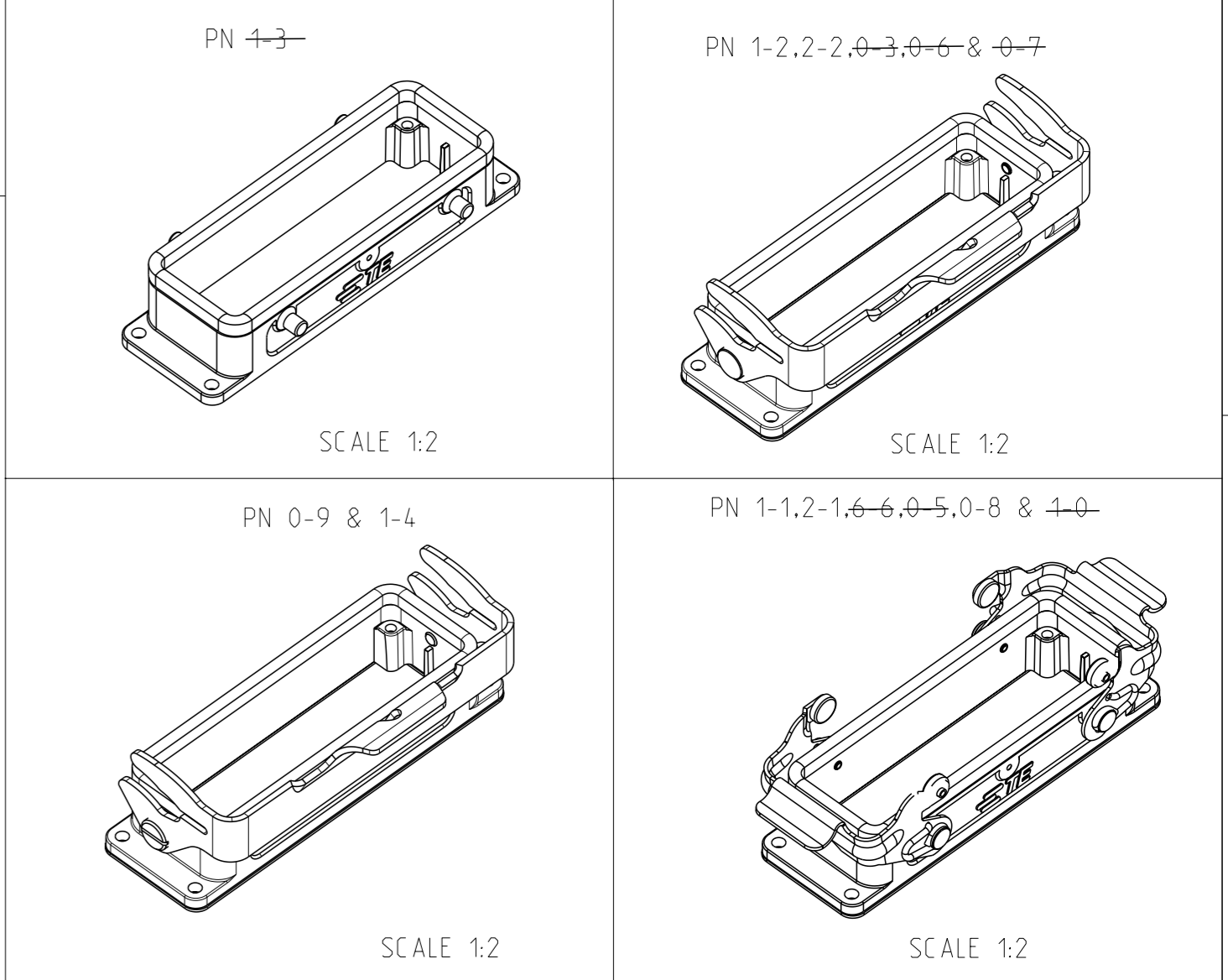
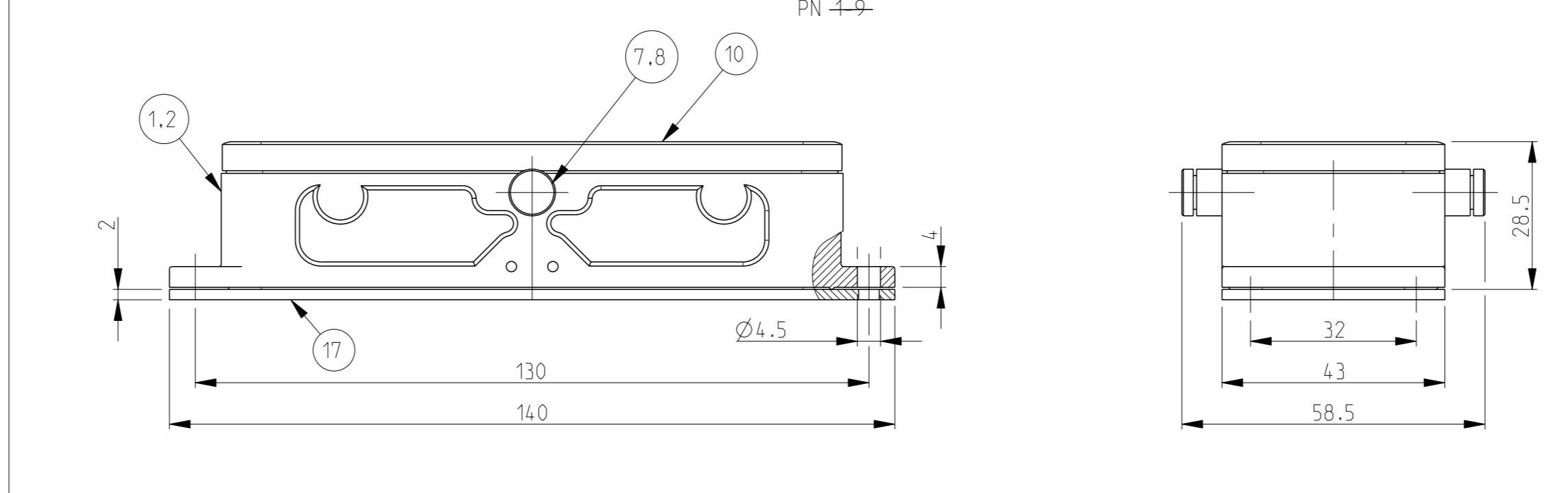
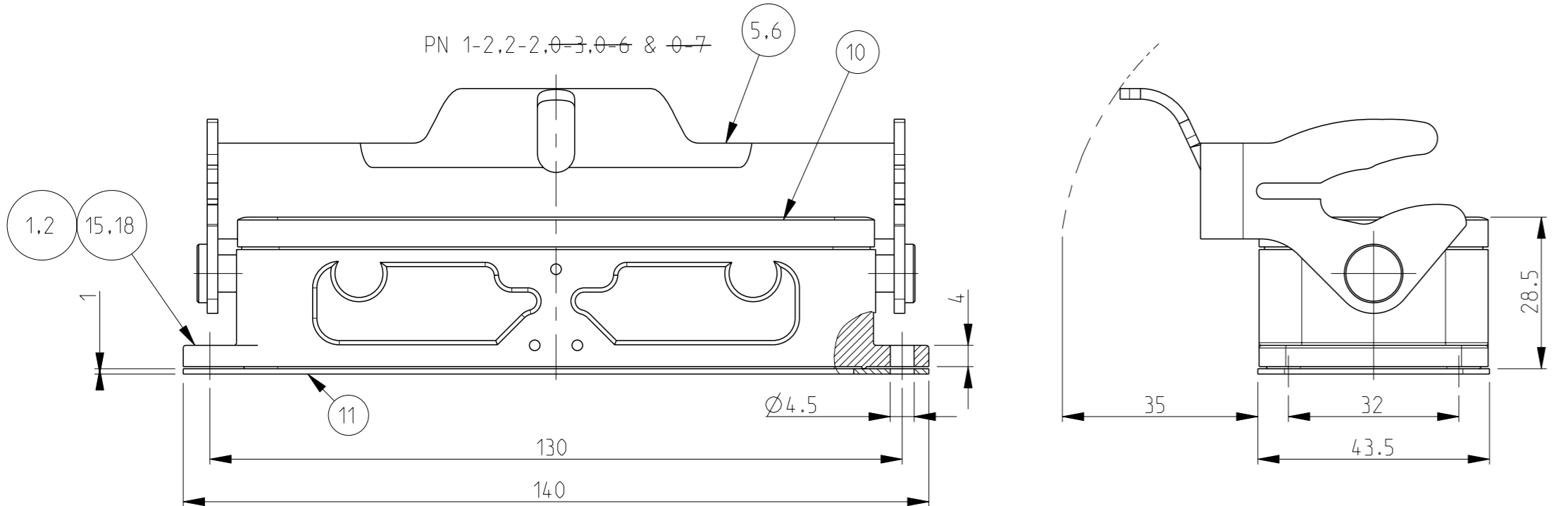
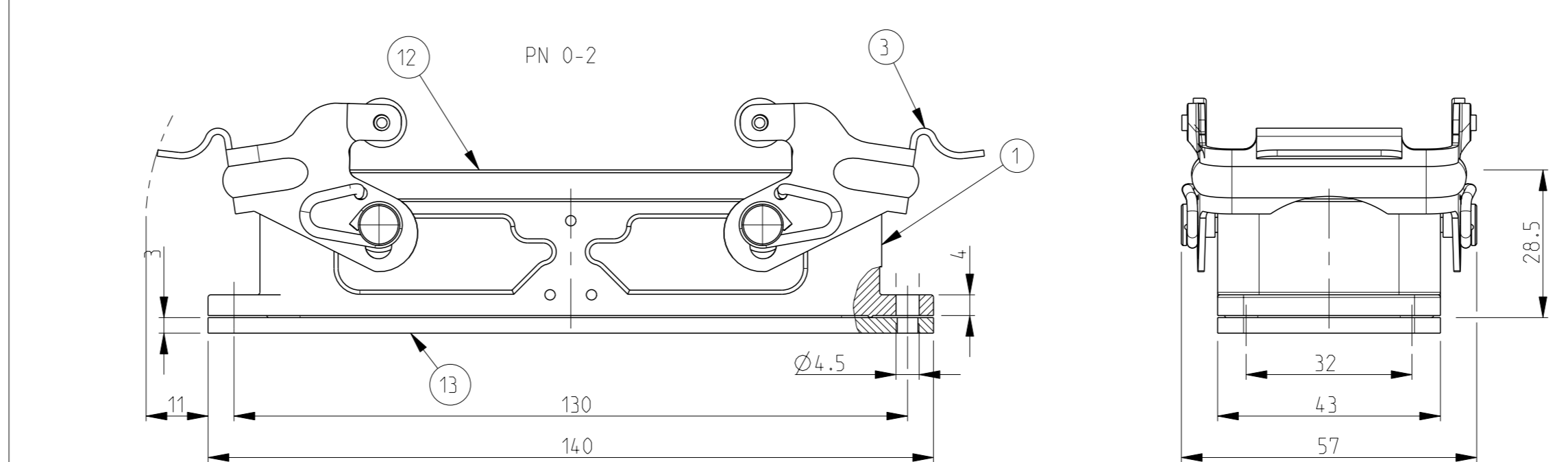
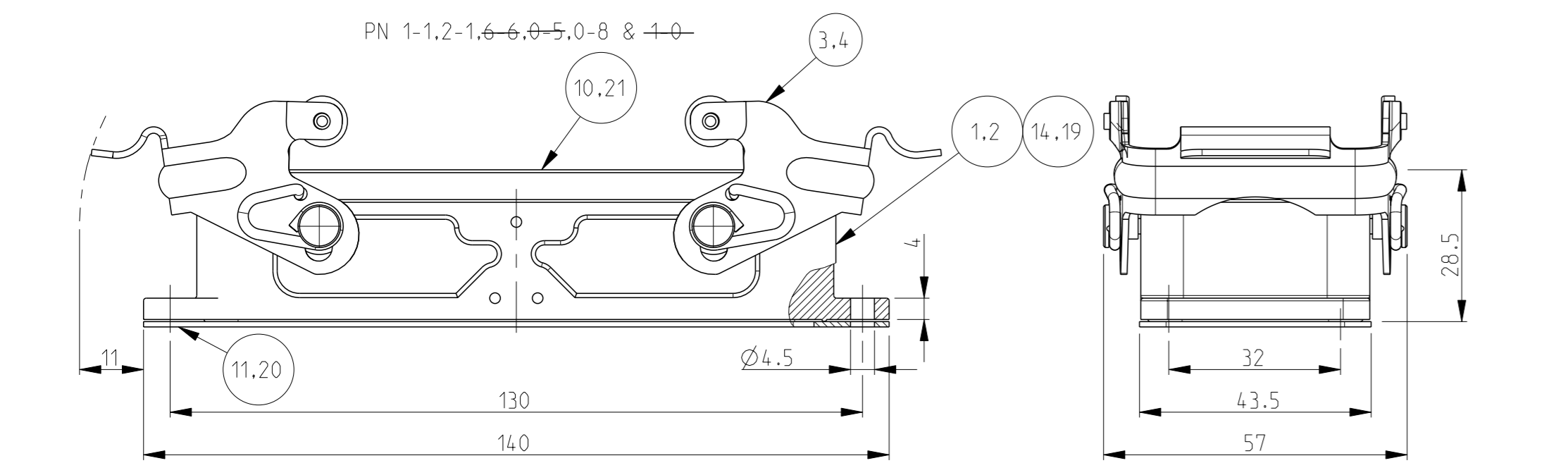


REVISIONS				
P	LYR	DESCRIPTION	DATE	OWN APVD
B12		ECR-15-012961	09SEP2015	GCM MKO
C		ECR-15-015721	18FEB2016	GCM JB
C1		ECR-16-015318	18AUG2017	GR MKO
C2		ECR-16-016768	15NOV2017	GR MKO

- NOTES
- Material : Housing : aluminium die casting alloy
Seals : Neoprene : Viton
 - Surface : Varnish - Grey
- Aluminium oxide
- Varnish black
 - Varnish on the inside is not necessary
 - Packaging
Quantity 5 pieces in a box



1-4	1-3	1-1	0-6	0-9	0-1	0-7	0-0	0-6	0-0	0-4	0-0	0-3	0-2	0-12	0-8	0-2	0-1	0-1	1-1	DESCRIPTION	MATERIAL	SURFACE	COLOR	ITEM NO	NOTES
																				Surface mounted housing side entry HB	Aluminium		Black	23	With diecast bolt
																				Profile seal	Neoprene		Black	22	Conductive
																				Flange seal	Neoprene		Black	21	Conductive
																				Surface mounted housing side entry HB	Aluminium	Chromit AL TCP passivation	Black RAL9005	20	
																				Surface mounted housing side entry HB	Aluminium		Grey RAL7001	19	Neutral
																				Flange seal	Neoprene		Black	18	2 mm thick
																				Surface mounted housing side entry HB	Aluminium		Grey RAL7001	17	Noses milled off
																				Surface mounted housing side entry HB	Aluminium		Grey	16	Without TE indication
																				Surface mounted housing side entry HB-K	Aluminium	Aluminium oxide	Blank	15	Without TE indication
																				Surface mounted housing side entry HB	Aluminium		Grey RAL7001	14	Elecon-logo
																				Flanged seal	Viton		Black	13	
																				Profile seal	Viton		Light grey	12	3 mm thick
																				Flange seal	Neoprene		Black	11	1 mm thick
																				Profile seal	Neoprene		Black	10	
																				VS-Clip bolt	Steel	Zinc plated	Blue	9	
																				ZB-Clip bolt	Stainless steel		Blank	8	
																				ZB-Clip bolt	Steel	Zinc plated	Blue	7	
																				LB-Side clip	Stainless steel		Blank	6	
																				LB-Side clip	Steel	Zinc plated	Blue	5	
																				VS-Locking clip	Stainless steel		Blank	4	
																				VS-Locking clip	Steel	Zinc plated	Blue	3	
																				Surface mounted housing side entry HB-K	Aluminium		Black RAL9005	2	
																				Surface mounted housing side entry HB	Aluminium		Grey RAL7001	1	

THIS DRAWING IS A CONTROLLED DOCUMENT. DWG: Schwaiger 23.07.1997
 CHK: Kramer 26.06.1998

STE TE Connectivity

DIMENSIONS: mm
 TOLERANCES UNLESS OTHERWISE SPECIFIED:
 0 PLC ±0.1
 1 PLC ±0.2
 2 PLC ±0.3
 3 PLC ±0.4
 4 PLC ±0.5
 ANGLES FINISH

PRODUCT SPEC: 108-74.001/74.003
 APPLICATION SPEC: 114-74.001/74.004/74.005

WEIGHT: -
 CUSTOMER DRAWING

NAME: Surface mounted housing bottom entry assy HB.24
 SIZE: A1
 CAGE CODE: 00779
 DRAWING NO: 1102291
 SHEET: 1 of 1
 SCALE: 1:1
 REV: C2

Mouser Electronics

Authorized Distributor

Click to View Pricing, Inventory, Delivery & Lifecycle Information:

[TE Connectivity:](#)

[2-1102291-2](#)