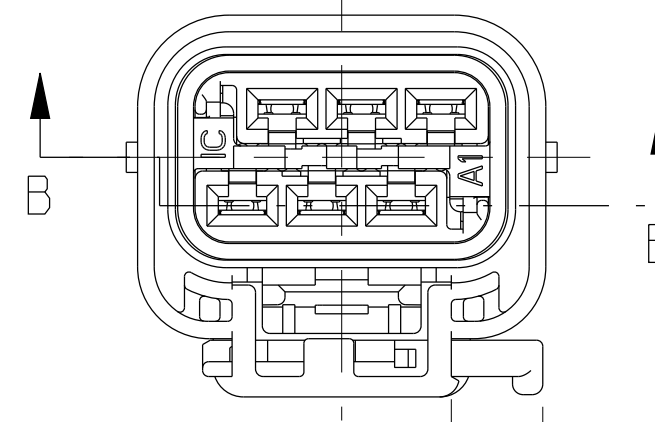
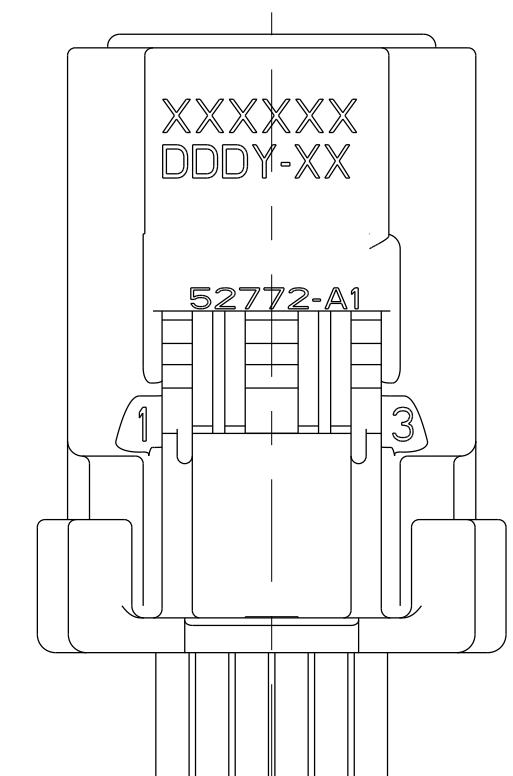


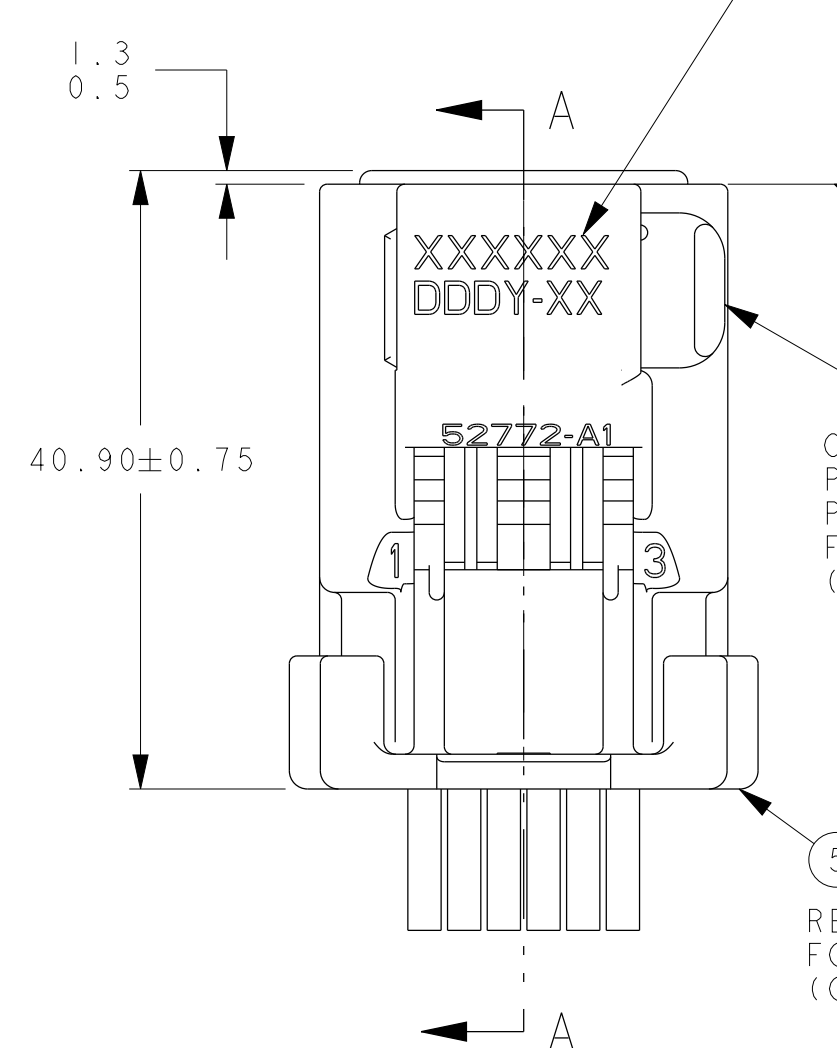
END VIEW W/O CPA



END VIEW W/ CPA



WITHOUT CPA SEE P/N CHART ALL DIMENSIONS SAME AS WITH CPA

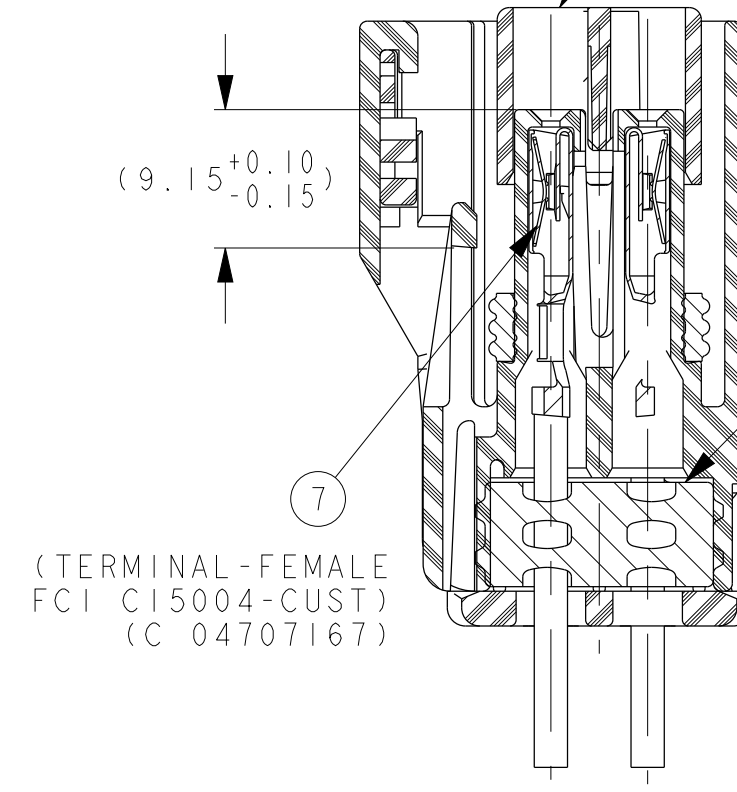


LAST 5 DIGITS OF 8 DIGIT P/N & PART CHANGE LEVEL (PCL) OR LAST 6 DIGITS OF 9 DIGIT P/N OR 10 DIGIT P/N & PART CHANGE LEVEL (PCL) MFG. DAILY DATE CODE & ASSY MACHINE NO. LETTERING MUST BE LEGIBLE OPTIONAL

WEDGE - FEMALE PRE-ASSEMBLED POSITION FCI 54200620 (C 04707305)

CPA PRE-ASSEMBLED POSITION FCI 54200003 (C 04687739)

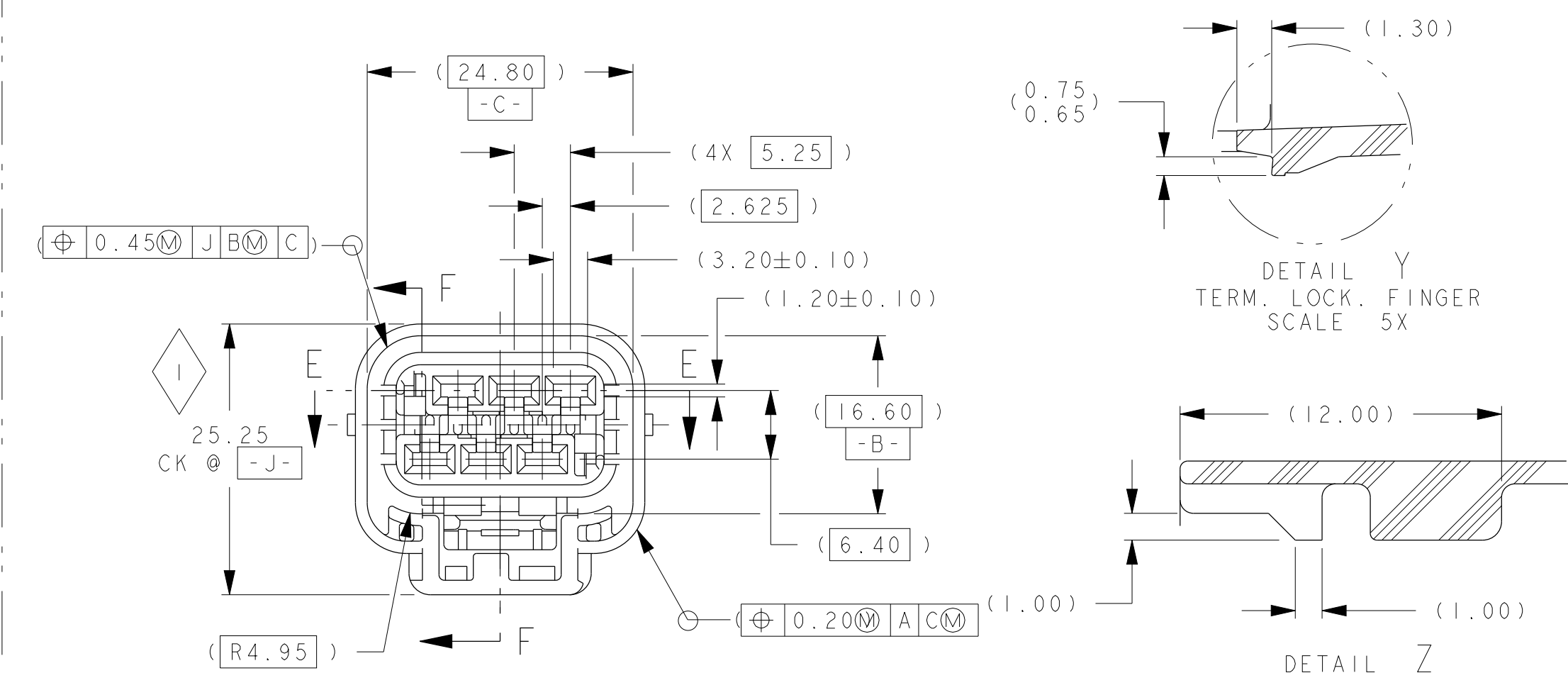
RETAINER FCI 54200651 (C 04707308)



(TERMINAL-FEMALE FCI C15004-CUST) (C 04707167)

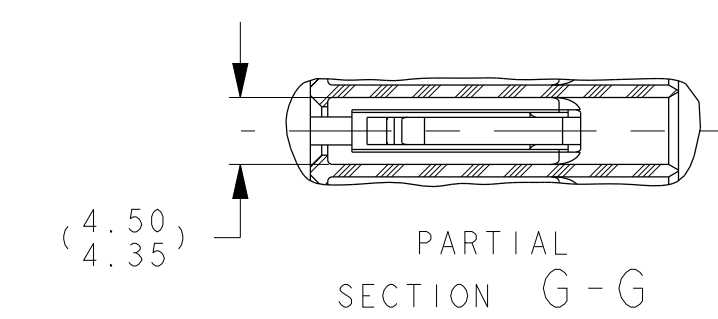
END-SEAL FCI 54200659 OR SEE CHART BELOW

SECTION A-A



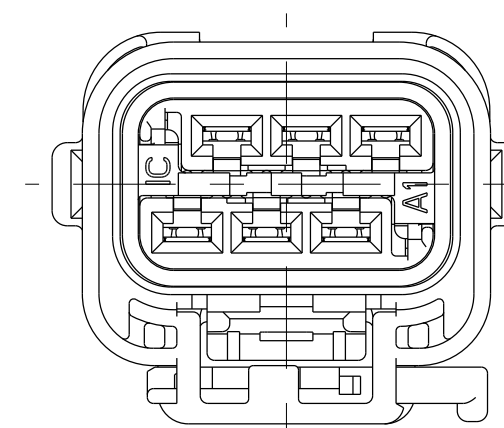
SECTION E-E

FOR REFERENCE ONLY INSULATOR VIEWS

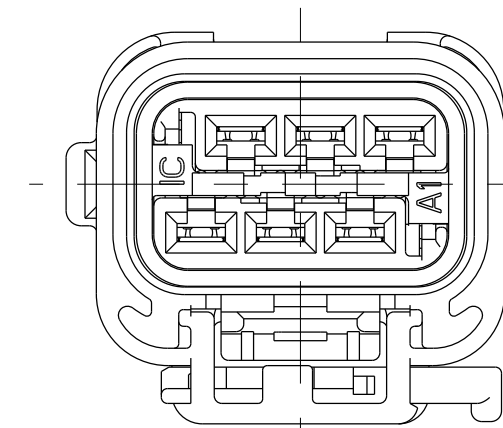


PARTIAL SECTION G-G

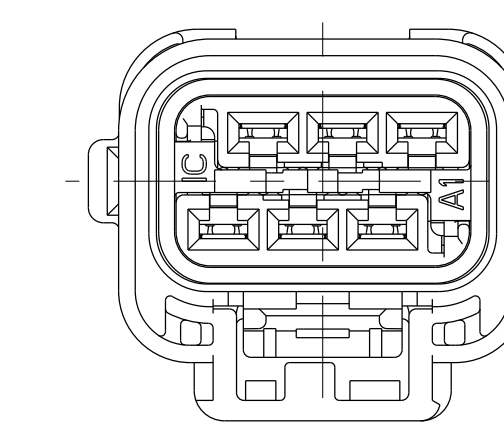
UNSEALED ASSEMBLY VIEW SEE PART NUMBER CHART



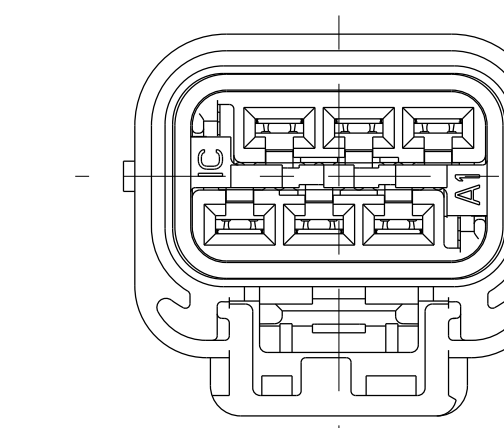
TYPE A



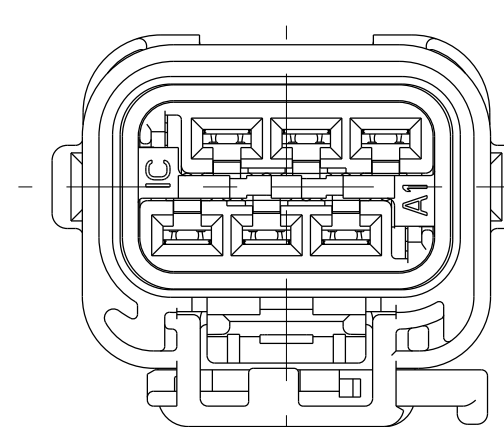
TYPE B



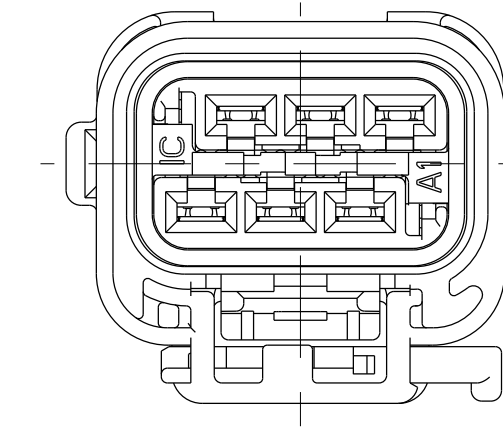
TYPE A



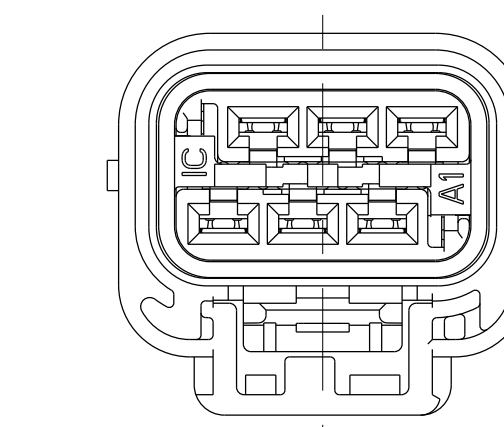
TYPE B



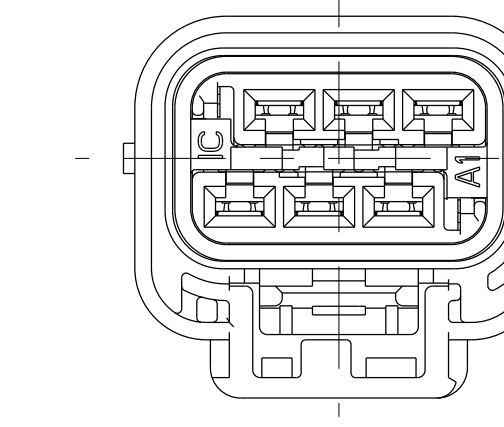
TYPE C



TYPE D



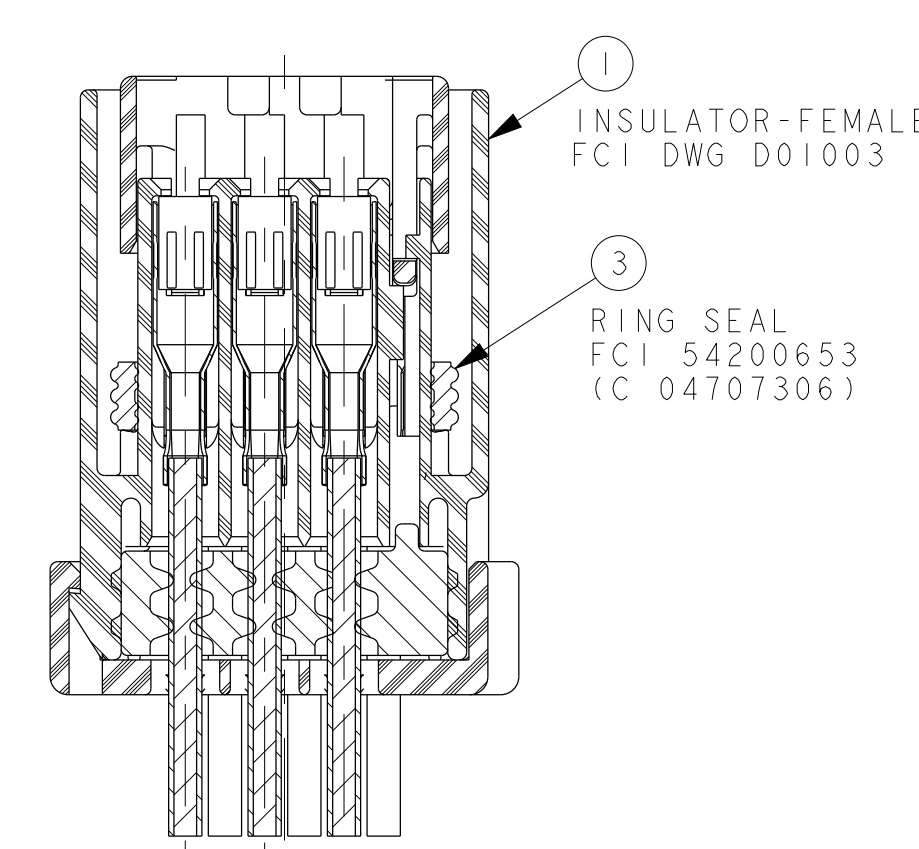
TYPE C



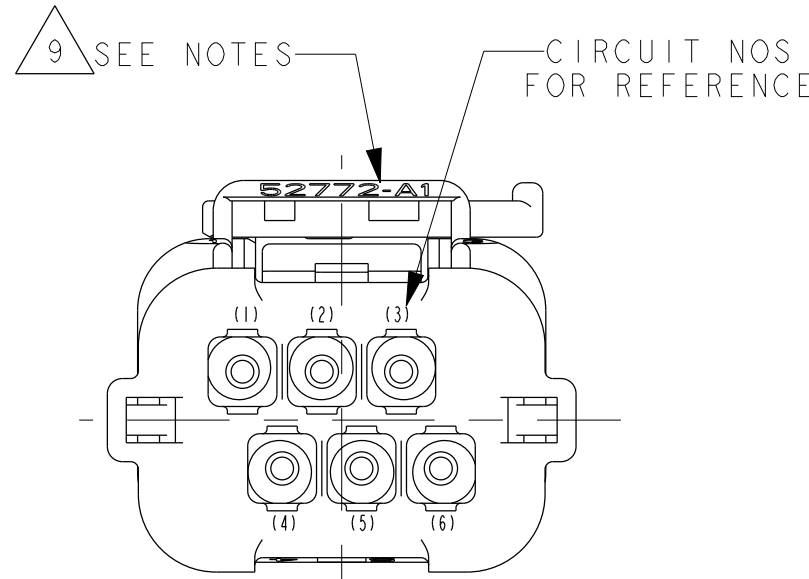
TYPE D

POLARIZATION OPTIONS FULL SIZE

POLARIZATION OPTIONS FULL SIZE



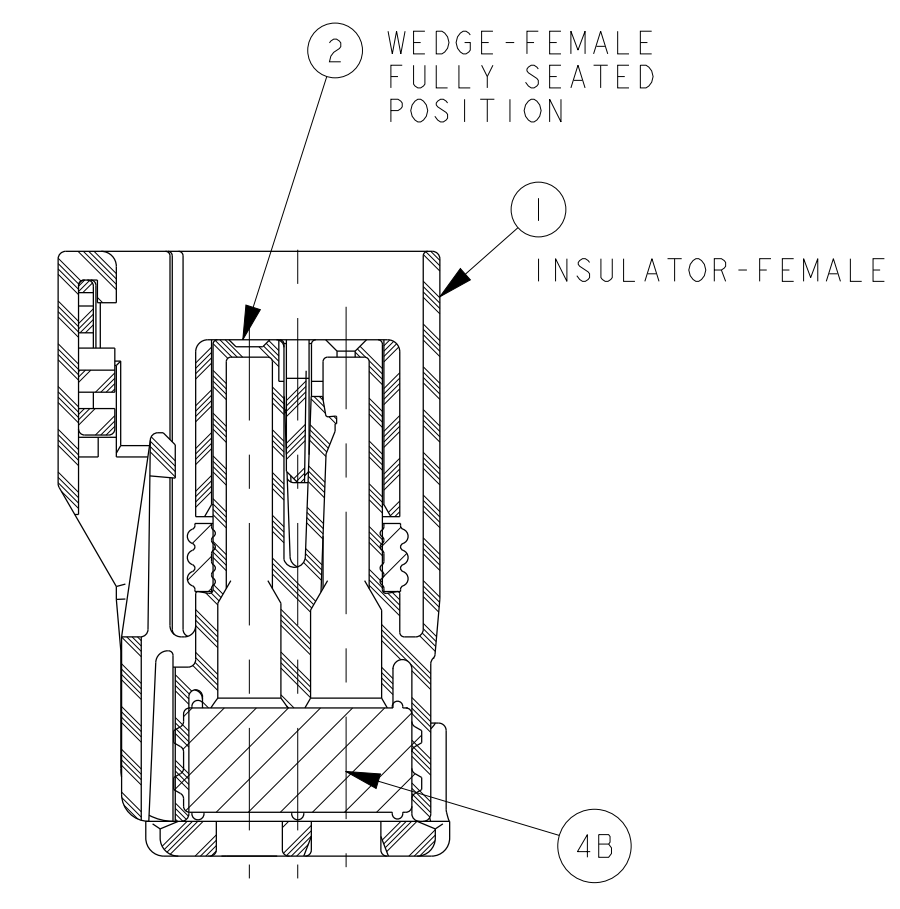
SECTION B-B



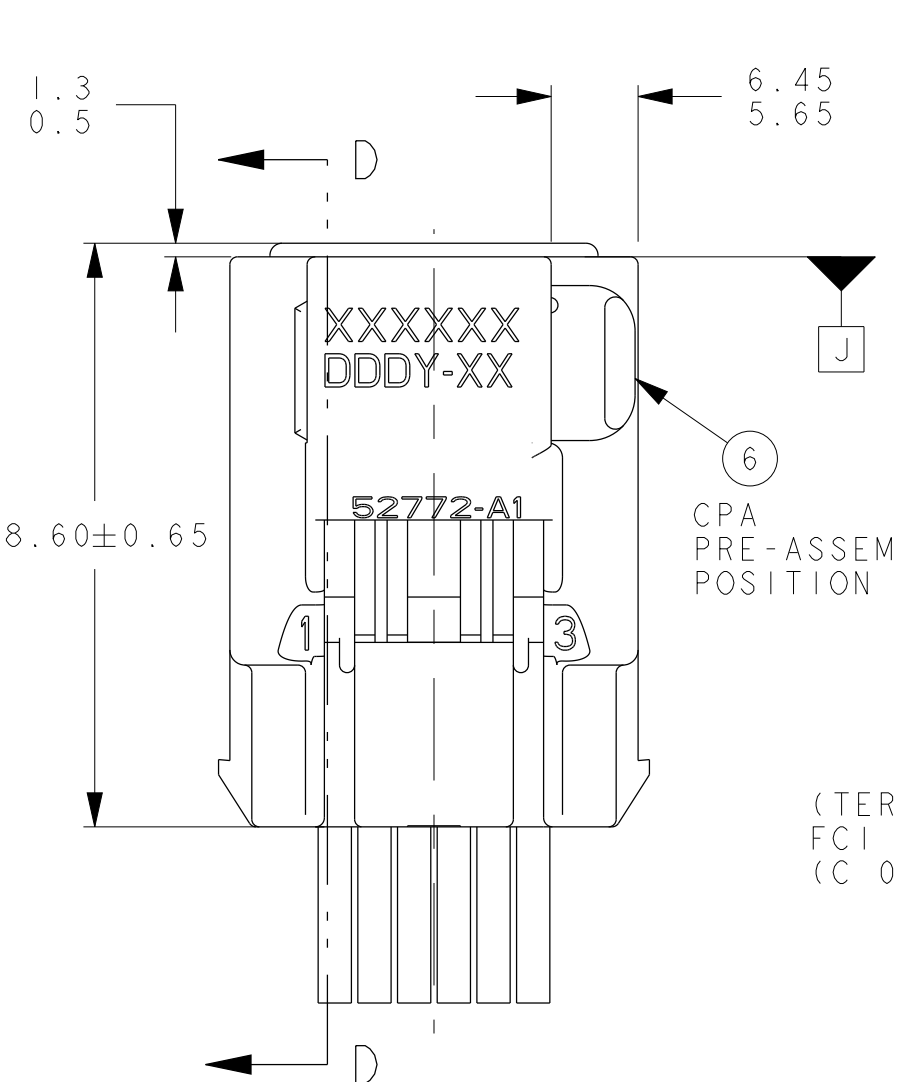
SEE NOTES

CIRCUIT NOS FOR REFERENCE

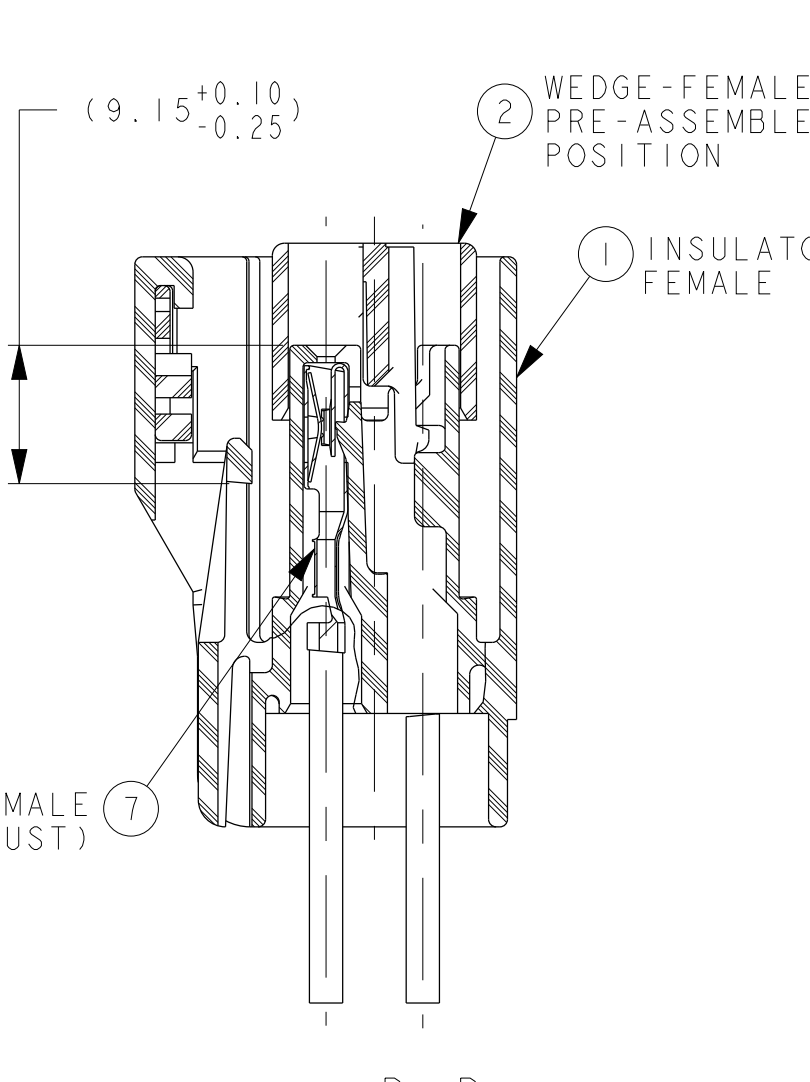
SEALED ASSEMBLY VIEWS SEE PART NUMBER CHART



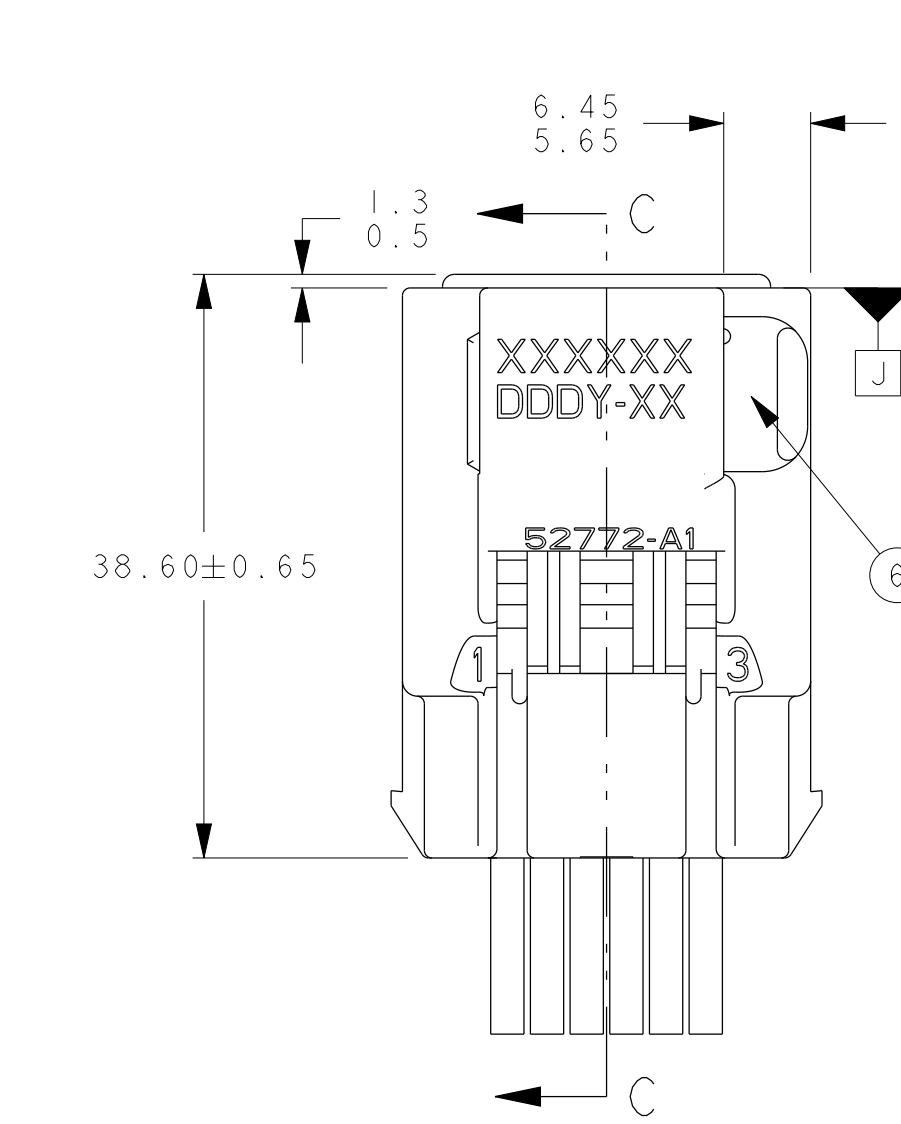
SECTION A-A P/N C56042583AA SEALED PLUG



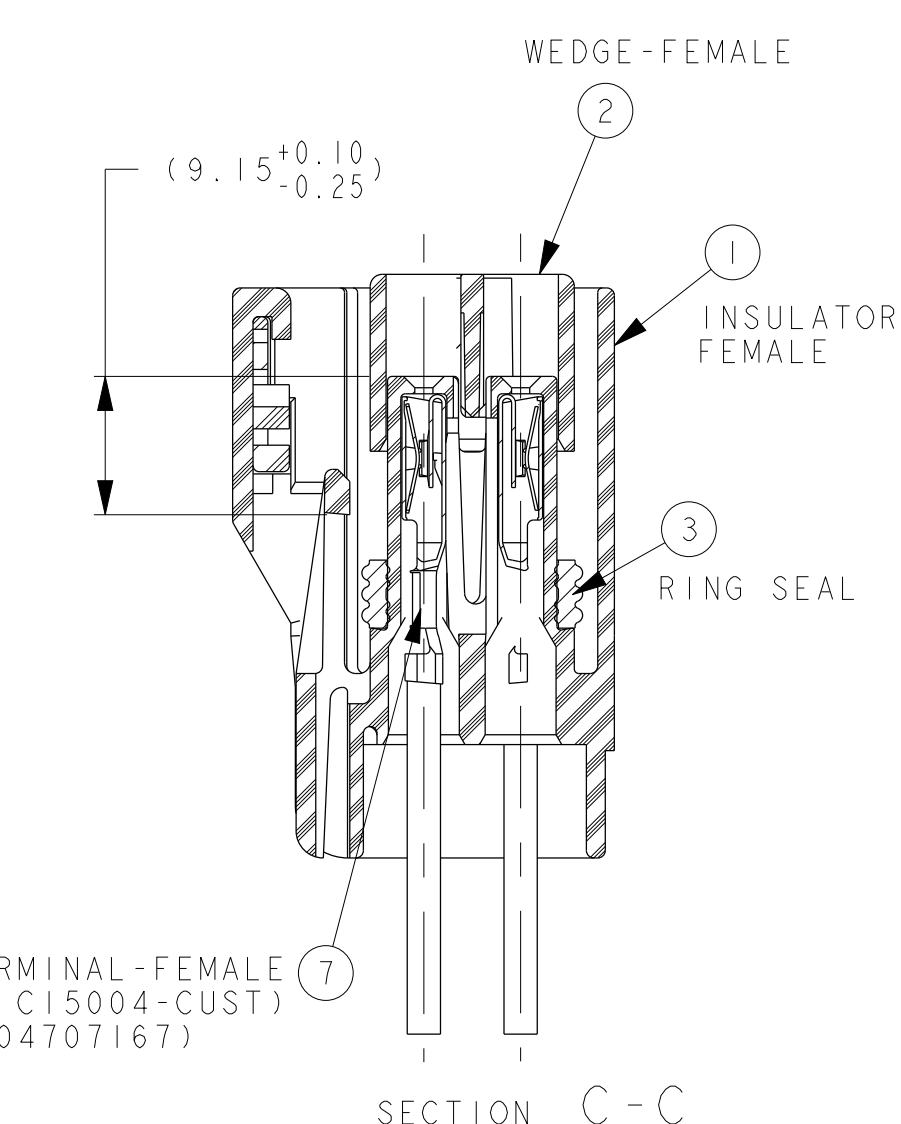
UNSEALED ASSEMBLY VIEW SEE PART NUMBER CHART



SECTION D-D



SEALED ASSEMBLY VIEW (PARTIALLY SEALED) SHIPPED WITHOUT END SEAL & RETAINER



SECTION C-C

NOTES:

- 1 QUALITY ASSURANCE REQUIREMENTS PER CHRYSLER PS-7300: 1 SPC DATA REQUIRED
2 ENGINEERING APPROVAL OF SUPPLIER SAMPLES IS REQUIRED PRIOR TO AUTHORIZATION OF PART PRODUCTION
3 CHANGES IN DESIGN COMPOSITION OR PROCESSING FROM THE PART PREVIOUSLY APPROVED FOR PART PRODUCTION REQUIRES PRIOR ENGINEERING APPROVAL
4 WIRING FABRICATORS MUST PURCHASE FROM SOURCES SHOWN
5 ALL THE SEALED APPLICATIONS WITH 54200654 AND 54200659 END SEALS MUST BE USED WITH CHRYSLER WIRE SPEC. MS-9298 OR MS-9502 THIN WALL X-LINK 20,18,16,14 & 12 GAGE WIRES ONLY AS SHOWN IN THE CHART (WIRE INSULATION RANGE Ø1.70 MIN TO Ø3.35 MAX) ISO THIN WALL EQUIVALENTS ALLOWED
6A P/N WITH C455900 END SEAL MUST BE USED WITH WIRE INSULATION RANGE FROM Ø1.90MIN TO Ø3.70MAX (18AWG TO 12AWG OR 1mm² TO 4mm² ISO THIN WALL)
6 MAX. INSULATION CRIMP WIDTH = 4.50
MAX. INSULATION CRIMP HEIGHT = 4.50
MAX. INSULATION DIA. = 4.09 (10 GA THIN WALL)
7 USE WITH CAVITY PLUG FCI P/N 54200005, (C) 56038308 WHEN REQ'D USE WITH 2.80MM APEX FEMALE TERMINAL PER C15004-CUST SYM ABOUT CENTERLINE. 180° ORIENTATION PERMISSIBLE
8 TEST METHOD PER CHRYSLER PERFORMANCE SPEC# SAE/USCAR-2 REV 5, CONNECTOR ENGAGE & DISENGAGE WITH LATCH DEPRESSIONED FORCE NOT TO EXCEED 90 N FOR THIS SYSTEM
CPA SEATING FORCES - 40 N MAX
WEDGE SEATING FORCES - 125 N MAX
9 SUPPLIER I.D. SIGNIFIES TOOL OWNERSHIP, FOR REFERENCE
10 ANNUAL QUALITY REQUIREMENTS: IT IS PERMISSIBLE TO PERFORM CONTINUOUS CONFORMANCE PER FCI SPECIFICATION #ADA-001 INSTEAD OF ANNUAL LAYOUT & ANNUAL PV REQUIREMENTS OF QS-9000 SECTION 2 & SAE/USCAR-2 REV 5
ALL NON-REFERENCE DIMENSIONS ARE REQUIRED
- USE INDEX A, BLACK SEALED AND UNSEALED FOR ALL AFFECTED INSULATOR CAVITIES
- CURRENT PRODUCTION TOOLING
- POINT OF LAST RUN
SERVICE TOOLING GUIDE INFORMATION PER APEX TRAINING MANUAL
11 MUST CONFORM TO THE FOLLOWING CHRYSLER/YNA STANDARDS: SAE/USCAR-2 REV 5, EXCEPT AS NOTED ABOVE
PS-7300 QUALITY ASSURANCE (CHRYSLER)
PS-4480-CEK-4 (CHRYSLER) PART I.D., (G-009-2 YNA)
PS-9065 REGRIND (CHRYSLER), (G-009-3 YNA)
PS-9227 DATA EXCHANGE (CHRYSLER), (G-009-7 YNA)
PS-10052 INFORMATION SECURITY (CHRYSLER)
12 THIS DRAWING (H59007) REPLACES CHRYSLER DRAWING NUMBER 04707299 LEVEL "K" CHRYSLER DRAWING IS FOR REFERENCE ONLY
13 FCI P/N WITH SUFFIX "N" DESIGNATES ASSEMBLIES W/O CPA

MATING PART NUMBER CHART table with columns for UNSEALED, SEALED, and various part numbers.

CHART-ASSEMBLY PART NUMBERS table with columns for UNSEALED and SEALED configurations.

Table with columns for FCI P/N, CUSTOMER P/N, PART NAME, and MATERIAL.

Legend table for FCI, VENDOR, and P/N information.

Legend table for INSULATOR-FEMALE, END-SEAL, and other components.

Legend table for WEDGE-FEMALE, RING SEAL, and other components.

Product specification table with columns for part number, description, and standards.



# Mouser Electronics

Authorized Distributor

Click to View Pricing, Inventory, Delivery & Lifecycle Information:

[Aptiv:](#)

[54200601N](#) [54200610](#) [54200611](#) [54200609-B](#) [54200610-B](#) [54200611-B](#) [54200600-B](#) [54200601N-B](#) [54200600](#)