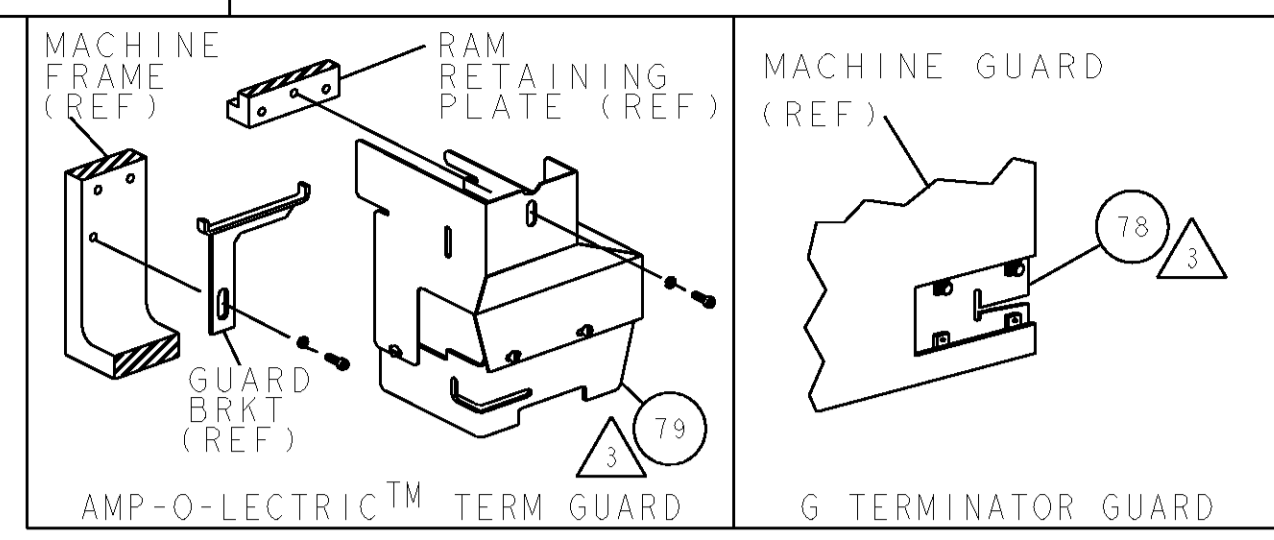


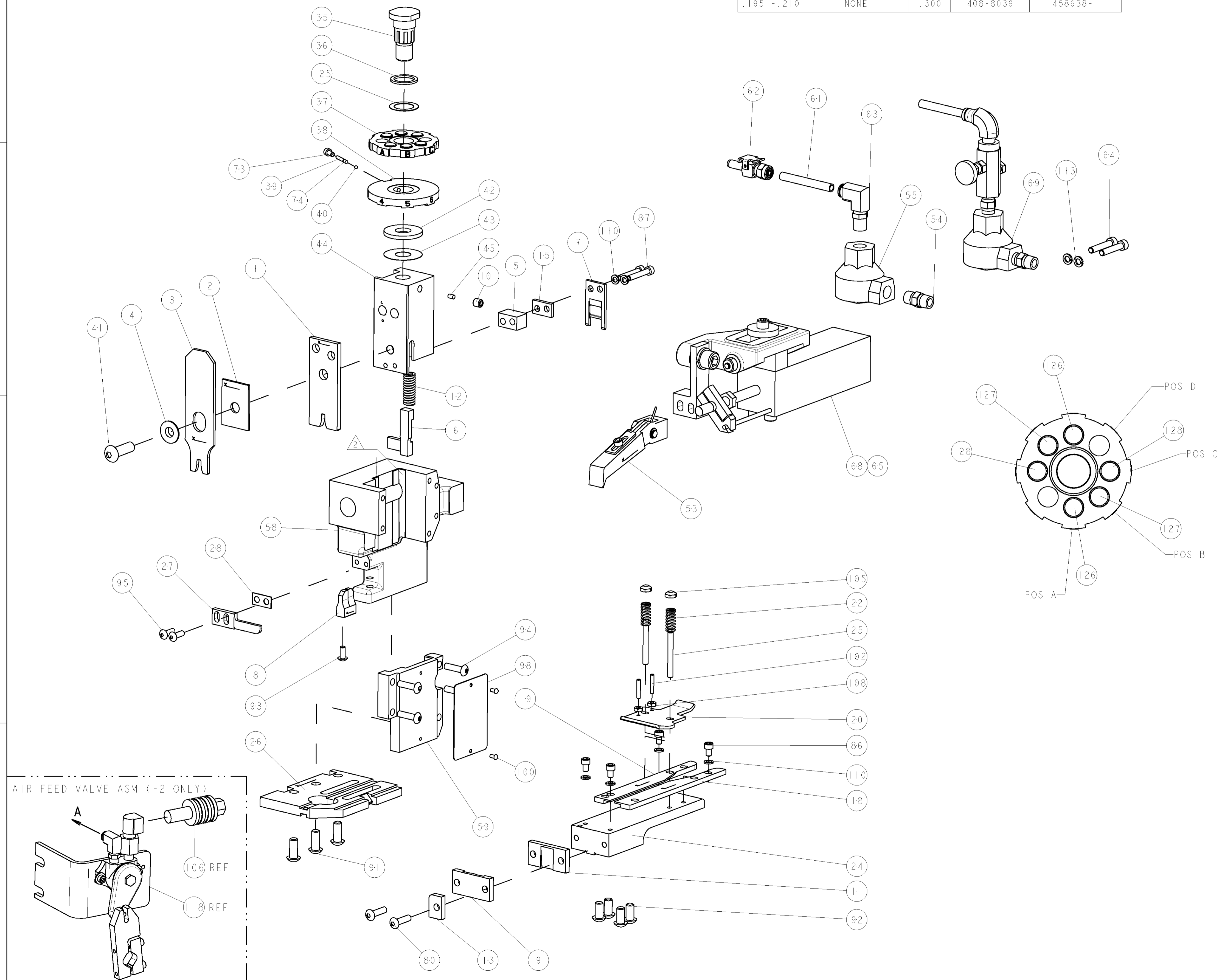
PART NUMBER	REV	FIRST USED	POWER UNIT	FEED TYPE
1852202-1	A	122500-1	LEADMAKER & BENCH MODEL G	AIR FEED
1852202-2	A	565435-5	BENCH MODEL K	AIR FEED
7-1852202-7	A	-	SPARE PARTS	-

- △ RECOMMENDED SPARE PARTS
- △ GREASE LIGHTLY
- △ GUARD MUST BE IN PLACE WHEN OPERATING APPLICATOR IN A BENCH MACHINE

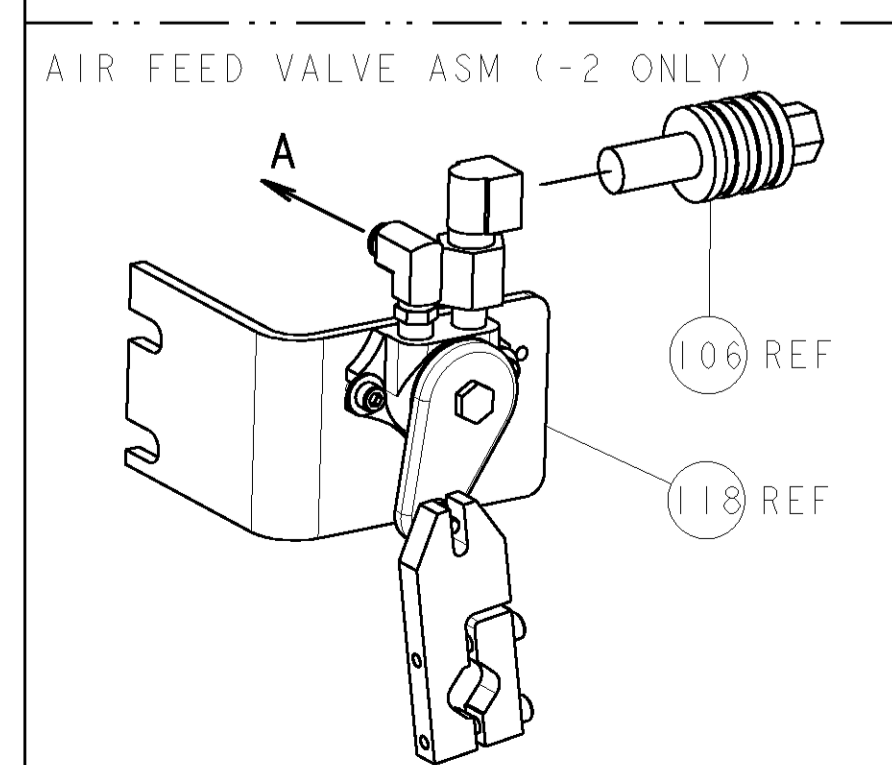


TE P/N		FCI P/N	FCI TERMINAL - TE CRIMP SPECS	
1572959	AFF-1434-37			
		PAD LTR	CRIMP HEIGHT	WIRE SIZE
		A	.105±.002 [2.67±0.05mm]	14AWG
		B	.097±.002 [2.46±0.05mm]	16AWG
		C	.092±.002 [2.34±0.05mm]	18AWG
		D	-	-
		CRIMP	SIZE	TYPE
		WIRE	.120 [3.05mm]	F
		INSUL	.160 [4.06mm]	F
				RANGE
				18-14 AWG
				∅.108 MAX
WIRE STRIP LENGTH	TERM APPL SPEC	FEED	APPL INSTRUCTIONS	SET UP GAGE
.195 - .210	NONE	1.300	408-8039	458638-1

LOC	DIST	REV	DESCRIPTION	DATE	DWN	APVD
A	66		RELEASED	21APR2009	RK	GB



-	2	2	-	5-354778-7	PIN, WIRE DISC, .2780	128
-	2	2	-	4-354778-7	PIN, WIRE DISC, .2730	127
-	2	2	-	3-354778-3	PIN, WIRE DISC, .2660	126
-	1	1	-	986950-1	WASHER, FLAT PRECISION	125
-	1	1	-	692655-6	AIR FEED VALVE ASSEMBY	118
-	2	2	-	21024-5	WASHER, SPRG LOCK, REG NO 10	113
-	6	6	-	21024-4	WASHER, SPRG LOCK, REG NO 8	110
-	2	2	-	21018-4	NUT, HEX, REG 4-40	108
-	1	1	-	24042-2	VALVE, SHUT-OFF	106
-	2	2	-	21022-2	NUT, LOCK, HEX, TORQUE, 8-32	105
-	2	2	-	2-21006-6	SCR, SET, CUP POINT 4-40 X .625	102
-	1	1	-	21009-2	SCR, SET, SELF LOCKING 1/4-20 X .250	101
-	2	2	-	21017-2	SCREW, DRIVE	100
-	1	1	-	461264-1	PLATE, IDENTIFICATION	98
-	2	2	-	2-21002-2	SCR, BTN SKT HD CAP 8-32 X .500	95
-	4	4	-	2-21002-9	SCR, BTN SKT HD CAP 10-32 X .750	94
-	1	1	-	22733-8	SCR, BHSC, SELF-LOCKING, 8-32 X .375	93
-	4	4	-	3-21002-3	SCR, BTN SKT HD CAP 1/4-20 X .500	92
-	3	3	-	2-22733-8	SCR, BHSC, SELF-LOCKING, 1/4-20 X .625	91
-	2	2	-	3-21000-1	SCR, SKT HD CAP 8-32 X 1.000	87
-	4	4	-	2-21000-5	SCR, SKT HD CAP 8-32 X .250	86
-	2	2	-	2-21002-9	SCR, BTN SKT HD CAP 10-32 X .750	80
△	REF			455745-1	GUARD WINDOW	79
△	REF			679532-1	INSERT, GUARD	78
-	1	1	-	690603-1	SPRING ASSIST AMP-O-MATOR APPLICATOR	74
-	1	1	-	23030-1	SCR, SKT HD CAP 6-32 X .25	73
-	1	1	-	217238-1	GENERAL INSTRUCTION PKG	72
-	1	1	-	4088039	EF APPL INST 408-8039	71
-	1	1	-	692655-5	AIR FEED VALVE ASSEMBLY	69
-	1	1	-	1-460277-9	AIR FEED ASSY	68
-	1	1	-	1-460277-5	AIR FEED ASSY	65
-	2	2	-	3-21000-9	SCR, SKT HD CAP 10-32 X 1.000	64
-	1	1	-	980285-2	CONNECTOR, ELBOW, 90°, MINI	63
-	1	1	-	23238-1	INSERT, COUPLING	62
-	12	IN	-	27319-4	TUBING, POLY-FLO, NATURAL	61
-	1	1	-	454220-1	CAP, RAM	59
-	1	1	-	453736-1	HOUSING, APPLICATOR	58
-	1	1	-	22374-7	VALVE, QUICK EXHAUST	55
-	1	1	-	22304-1	NIPPLE, HEX, PIPE FITTING	54
-	1	1	-	460680-1	FEED FINGER ASSEMBLY	53
-	1	1	-	690191-1	PLUG, NYLON	45
-	1	1	-	455674-1	RAM	44
-	1	1	-	690125-1	SHIM SUB-ASSY	43
-	1	1	-	690124-1	WASHER, RAM (.115)	42
-	1	1	-	7-21002-9	SCR, BTN SKT HD CAP 5/16-24 X 1.00	41
-	1	1	-	23241-6	BALL, STEEL	40
-	1	1	-	690170-1	SPRING, COMPRESSION	39
-	1	1	-	690142-1	DISC, INSULATION	38
-	1	1	-	354777-1	WIRE DISC, ASSEMBLY	37
-	1	1	-	22480-5	SPRING, COMPRESSION	36
-	1	1	-	690212-1	POST, RAM	35
-	1	1	-	1-690451-7	SPACER, STRIPPER	28
-	1	1	-	240639-1	STRIPPER (MACHINING)	27
-	1	1	-	455676-1	PLATE, BASE	26
-	2	2	-	22354-8	STUD, THREADED	25
-	1	1	-	455678-1	PLATE, STRIP GUIDE	24
-	2	2	-	4-22281-1	SPRING, DRAG	22
-	1	1	-	454177-1	DRAG	20
-	1	1	-	2-458030-8	STRIP GUIDE, REAR	19
-	1	1	-	2-458031-8	STRIP GUIDE, FRONT	18
-	1	1	-	5-240641-2	SPACER	15
-	1	1	-	690481-2	SPACER, HOLD DOWN	13
-	1	1	-	23846-1	SPRING, DIE	12
△	1	1	-	240644-1	PLATE, REAR SHEAR	11
-	1	1	-	-	-	10
△	1	1	-	690482-3	PLATE, FRONT SHEAR	9
△	1	1	-	1633248-6	ANVIL, COMBINATION	8
△	1	1	-	690474-3	BLADE, SLUG	7
-	1	1	-	3-455892-4	HOLD DOWN, TERMINAL	6
-	1	1	-	2-240641-6	SPACER	5
-	1	1	-	238009-4	BLOCK, FL CRIMPER SPACER	4
△	1	1	-	683453-1	CRIMPER, INSULATION PREMIUM	3
△	1	1	-	1-455888-6	SPACER, CRIMPER	2
△	1	1	-	456423-2	CRIMPER, WIRE PREMIUM	1



DIMENSIONS:		TOLERANCES UNLESS OTHERWISE SPECIFIED:		MATERIAL:		FINISH:		WEIGHT:		CUSTOMER DRAWING:	
INCHES	9 PLC	±									
	1 PLC	±0.1									
	3 PLC	±0.01									
	4 PLC	±0.001									
	ANGLES	±0.0001									

# Mouser Electronics

Authorized Distributor

Click to View Pricing, Inventory, Delivery & Lifecycle Information:

[TE Connectivity:](#)

[1852202-1](#)