

# Tippette

## Tippette®

### FULL SIZED ROCKER SWITCHES

The Tippette Series is a traditionally styled rocker switch, available in sealed or unsealed versions. These switches are appropriate for use in general purpose applications which may or may not require a modicum of environmental protection. The Tippette Series is available in both illuminated and non-illuminated versions and features a wide variety of circuits, actuator styles and bracket options. This versatile offering includes international agency certifications and ratings to 26 amps for select circuits.



#### Product Highlights:

- Ratings Up to 26 Amps 250 VAC
- Illuminated or Non-Illuminated
- Multiple Termination, Mounting and Rocker Options

#### Typical Applications:

- General Purpose Applications
- Commercial Food Equipment
- Recreational Vehicles



### Electrical

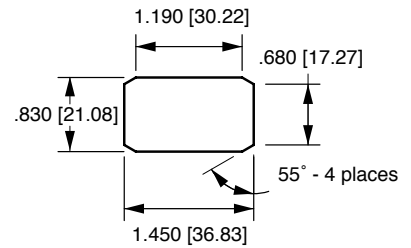
Contact Rating	15 amps, 125 VAC 10 amps, 250 VAC 3/4 HP 125-250 VAC 15 amps, 12-30 VDC
Life	25,000 cycles circuit dependent 50,000 cycles circuit dependent consult factory for applicable circuits.
Contacts	Fine silver, silver cad-oxide
Terminals	Brass or copper/silver plate 1/4" (6.3mm) Quick Connect terminations standard. Solder lug - Brass Tin Plated Wire Lead 16 gauge standard 105°C 600VAC Screw Terminals - Brass

### Physical

Lighted	Incandescent - rated 10,000 hours Neon - rated 25,000 hours
Seals	Bracket - Actuator WBL/MBL optional external gasket panel seal
Base	Phenolic (150°C)
Rocker/Bracket	Nylon 66 (105°C)

### Mounting

**MOUNTING HOLE**  
(Nylon Snap-in Brackets)  
Panel Thickness:  
.040 min. - .250 max.



\*Angled corners are suggested for optimum fit. Standard rectangular cutout is acceptable.

### Agency Certifications

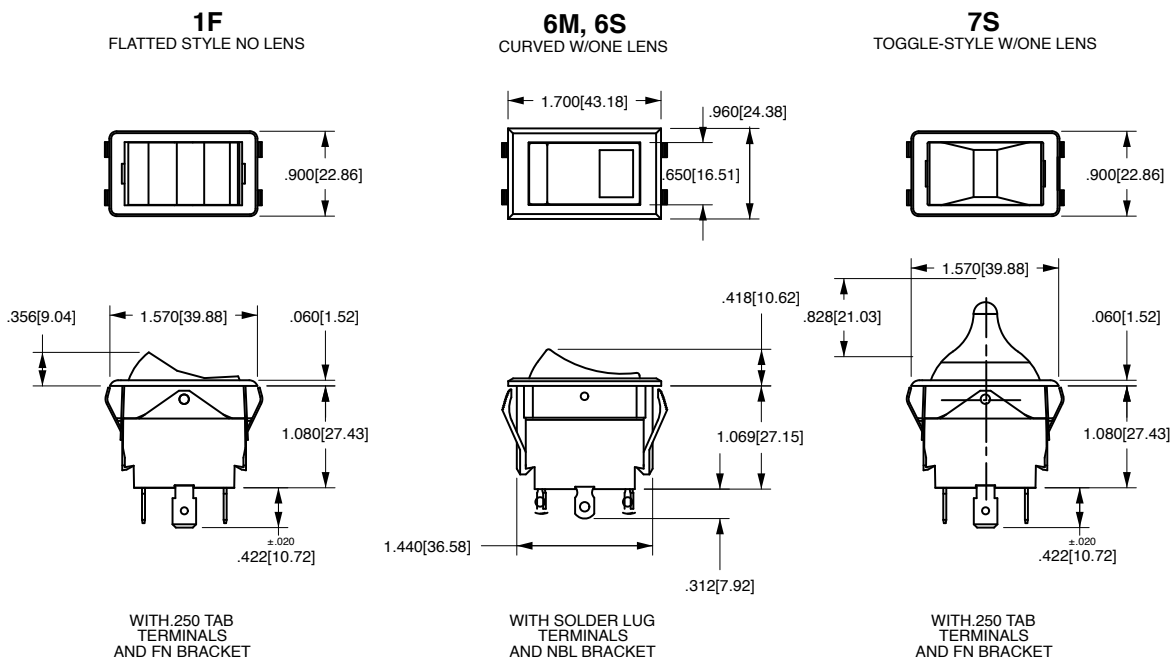
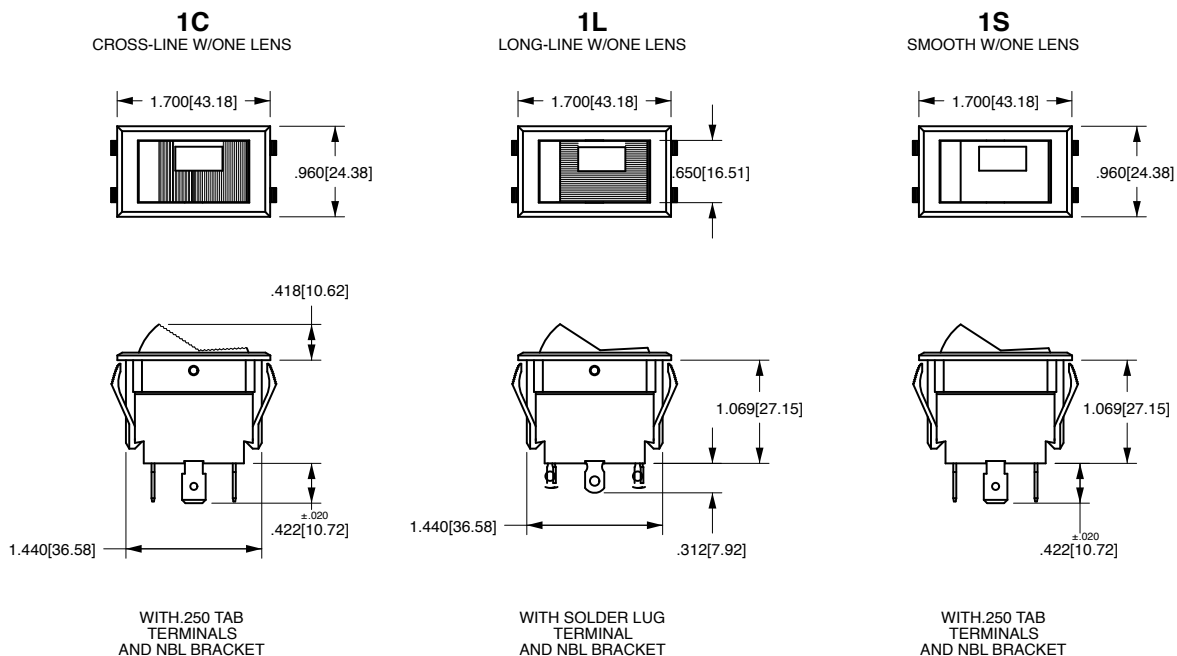


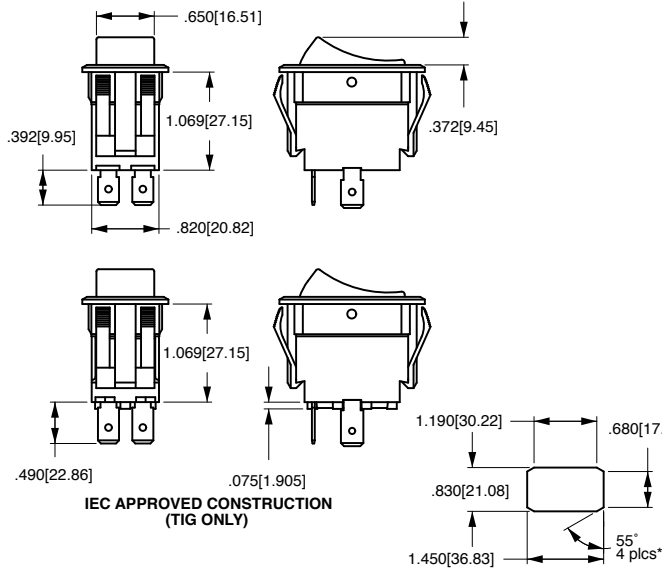
Select circuits and constructions with VDE/IEC approvals are available. Consult factory

\*Manufacturer reserves the right to change product specification without prior notice.



### Dimensional Specifications: in. [mm]

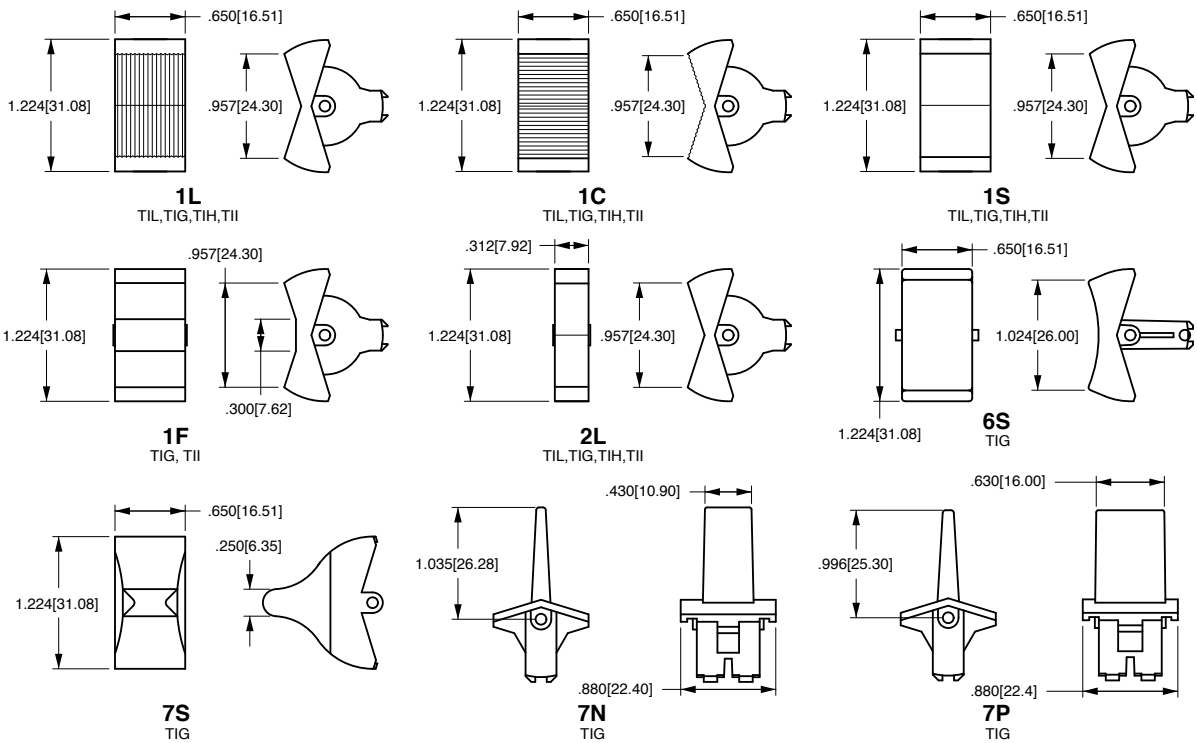




SOLDER LUG	.250 TAB (Q.C.)	.187 TAB (Q.C.)
<b>TERMINAL TYPE</b>		
SCREW (ASSEMBLED)	WIRE LEAD	PRINTED CIRCUIT

**MOUNTING HOLE**  
 (Nylon Snap-in Brackets)  
 Panel Thickness:  
 .030 min. - .250 max.  
 Switch should be mounted at 90°  
 for maximum water shedding  
 (45° to 90° acceptable)

\* Angled corners are suggested for optimum fit. Standard rectangular cutout is acceptable.

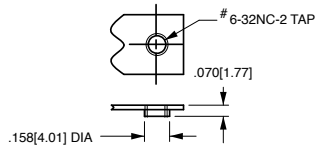


**SPECIAL CIRCUITS FOR TIPPETTE ROCKER SWITCHES**

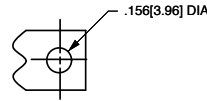
Circuit	Position 1	Position 2	Position 3
Progressive Two Circuit			
<b>GG</b>	BOTH CIRCUITS ON	ONE CIRCUIT ON	OFF
<b>GG</b>	BOTH CIRCUITS (ON)	ONE CIRCUIT ON	OFF
Single Pole Triple Throw			
<b>GE</b>	ON	ON	ON
Two Circuit			
<b>GH</b>	CIRCUIT 1 ON	BOTH CIRCUITS ON	CIRCUIT 2 ON
<b>GP</b>	CIRCUIT 2 ON	CIRCUIT 1 ON	OFF
Reversing Double Pole			
Double Throw			
<b>GO</b>	ON	OFF	ON
<b>GX</b>	ON	NONE	ON

( ) Indicates momentary function.

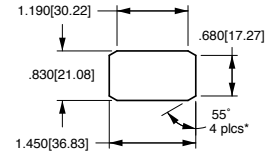
Dimensional Specifications: in. [mm]



**TAPPED HOLE**  
Standard with  
A & B Brackets



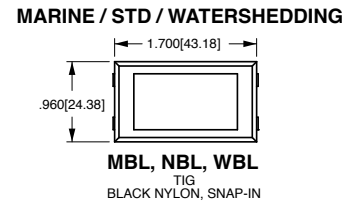
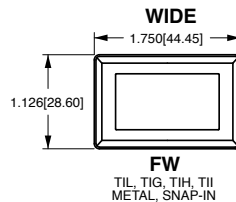
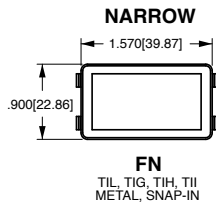
**CLEARANCE HOLE**  
Standard with  
C Bracket



**MOUNTING HOLE**  
(Nylon Snap-in Brackets)  
Panel Thickness:  
.030 min. - .250 max.

\* Angled corners are suggested for optimum fit. Standard rectangular cutout is acceptable.

TIL	TIG	TII	TIH
<p><b>A</b> TIL</p>	<p><b>A</b> TIG</p>	<p><b>A</b> TII</p>	<p><b>A</b> TIH</p>
<p><b>B</b> TIL</p>	<p><b>B</b> TIG</p>		
<p><b>CX</b> TIL</p>	<p><b>C</b> TIG</p>	<p><b>C</b> TIH, TII</p>	
	<p><b>H</b> TIG</p>		<p><b>GCP / GMP</b> GLOSS FINISH / MATTE FINISH <b>HOLE PLUG</b> FOR TIL, TIG, TIH &amp; TII</p>



## Authorized Sales Representatives and Distributors

Click on a region of the map below to find your local representatives and distributors or visit [www.carlingtech.com/findarep](http://www.carlingtech.com/findarep).



## About Carling

Founded in 1920, Carling Technologies is a leading manufacturer of electrical and electronic switches and assemblies, circuit breakers, electronic controls, power distribution units, and multiplexed power distribution systems. With four ISO registered manufacturing facilities and technical sales offices worldwide, Carling Technologies Sales, Service and Engineering teams do much more than manufacture electrical components, they engineer powerful solutions! To learn more about Carling please visit [www.carlingtech.com/company-profile](http://www.carlingtech.com/company-profile).

To view all of Carling's environmental, quality, health & safety certifications please visit [www.carlingtech.com/environmental-certifications](http://www.carlingtech.com/environmental-certifications)

## **Worldwide Headquarters**

Carling Technologies, Inc.  
60 Johnson Avenue, Plainville, CT 06062  
**Phone:** 860.793.9281 **Fax:** 860.793.9231  
**Email:** sales@carlingtech.com

**Northern Region Sales Office:** nrsm@carlingtech.com  
**Southeast Region Sales Office:** sersm@carlingtech.com  
**Midwest Region Sales Office:** mrrsm@carlingtech.com  
**West Region Sales Office:** wrsm@carlingtech.com  
**Latin America Sales Office:** larsm@carlingtech.com

## **Asia-Pacific Headquarters**

Carling Technologies, Asia-Pacific Ltd.,  
Suite 1607, 16/F Tower 2, The Gateway,  
Harbour City, 25 Canton Road,  
Tsimshatsui, Kowloon, Hong Kong  
**Phone:** Int + 852-2737-2277 **Fax:** Int + 852-2736-9332  
**Email:** sales@carlingtech.com.hk

**Shenzhen, China:** shenzhen@carlingtech.com  
**Shanghai, China:** shanghai@carlingtech.com  
**Pune, India:** india@carlingtech.com  
**Kaohsiung, Taiwan:** taiwan@carlingtech.com  
**Yokohama, Japan:** japan@carlingtech.com

## **Europe | Middle East | Africa Headquarters**

Carling Technologies LTD  
4 Airport Business Park, Exeter Airport,  
Clyst Honiton, Exeter, Devon, EX5 2UL, UK  
**Phone:** Int + 44 1392.364422 **Fax:** Int + 44 1392.364477  
**Email:** ltd.sales@carlingtech.com

**Germany:** gmbh@carlingtech.com  
**France:** sas@carlingtech.com



**Carling Technologies®**

Innovative Designs. Powerful Solutions.



# Mouser Electronics

Authorized Distributor

Click to View Pricing, Inventory, Delivery & Lifecycle Information:

## Carling Technologies:

[TIGC51-6S-BL-NBL](#) [LTILC5B-6S-BL-RC-NBL-12V](#) [LTILB5B-6S-BL-RC-NBL-12V](#) [LTILB51-6S-BL-RC-NBL-12V](#)  
[LTILC51-6S-BL-RC-NBL-12V](#) [TIGK5B-6S-BL-NBL](#) [TIGK5M-6S-BL-NBL](#) [TILA51-1L-BL-FN](#) [TIGL5B-6S-BL-NBL](#)  
[TIGL51-6S-BL-NBL](#) [TIGM51-6S-BL-NBL](#) [TIGM5B-6S-BL-NBL](#) [TIGM5M-6S-BL-NBL](#) [TILC6M-1L-WH-A](#) [TIGK51-6S-](#)  
[BL-NBL](#) [LITGM54-1L-BL-AM-FN/125N/INDP](#) [TIGA50-6S-BL-NBL](#) [TIGA51-6M-BL-MBL](#) [TIGA51-6S-BL-NBL](#) [TIGA54-](#)  
[6S-BL-WBL](#) [TIGA5B-6S-BL-NBL](#) [TIGA5M-6S-BL-NBL](#) [TIGB51-6S-BL-NBL](#) [TIGB51-6S-BL-WBL](#) [TIGB5B-6S-BL-NBL](#)  
[TIGC5B-6S-BL-NBL](#) [TIGC5M-6S-BL-NBL](#) [TIGC5M-6S-BL-WBL](#) [TIGH51-6S-BL-NBL](#) [TIGK50-6S-BL-NBL](#) [TIGK51-](#)  
[6S-WH-NBL](#) [TIGK54-6S-BL-WBL](#) [TIGK720-6M-BL-NBL](#) [TIGK721-6S-BL-NBL](#) [TIGK721-6S-BL-WBL](#) [TIGM51-6S-WH-](#)  
[NBL](#) [TIGM5M-6S-WH-NBL](#) [TIGM721-6S-BL-NBL](#) [TILB50-1L-BL-FN](#) [TILC61-1L-BL-FN](#) [LTILC5M-6S-BL-RC-NBL-12V](#)  
[TILA50-1L-BL-A](#) [LTILC5M-6S-BL-RC-NBL/125N](#) [LTILC5L-6S-BL-GN/AM-NBL-12V](#) [LTILC5M-1L-BL-GN-NBL/12V](#)  
[TIGG5E-1S-WH-FN](#) [LTILB51-6S-BL-RC-NBL/125N](#) [TIGL51-6M-BL-WBL](#) [TIGP5E-6S-BL-NBL](#) [TIGE51-6S-BL-WBL](#)  
[TIGM6B-1L-BL-A](#) [TIGP51-6M-BL-MBL-XJC3](#) [TIGK51-6S-WH-NBL/ON-OFF](#) [TIGA5B-6S-BL-MBL](#) [TIGK54-1S-RD-B](#)  
[TIGL5E-1L-WH-FN](#) [LTIGK51-6S-WH-AM-NBL/125N](#) [TIGM5B6SBLMBLXSW1](#) [TIGM5M-6S-BL-MBLXSW1](#)  
[TIGL542CDIBLXCE1](#) [TIGM5M6SWHWBLXBC1](#) [TIHM5M-1S-BL-FN](#) [TIGG5B-6S-BL-NBL](#) [TIGK51-1C-BL-FN](#)  
[TIGB51-7S-BL-NBL](#) [TIGC51-6S-BL-WBL](#) [TIGC51-6S-WH-NBL](#) [TIGC54-6S-BL-NBL](#) [TIGC5M-6S-BL-MBL](#) [TIGC5S-](#)  
[6S-BL-WBL](#) [TIGC721-7S-BL-NBL](#) [TIGE5M-6S-BL-NBL](#) [TIGG51-6S-BL-NBL](#) [TIGA51-6S-BL-MBL](#) [TIGA51-6S-BL-](#)  
[WBL](#) [TIGA51-6S-WH-NBL](#) [TIGA5E-6S-BL-NBL](#) [TIGB51-6S-BL-MBL](#) [TIGM51-6M-BL-NBL](#) [TIGM51-6S-BL-WBL](#)  
[TIGL51-6S-BL-WBL](#) [TIGM5M-6M-BL-MBL](#) [TIGM51-6S-BL-MBL](#) [TIGM51-1L-BL-A](#) [TIGM51-6M-BL-MBL](#) [TIGC5L-6M-](#)  
[BL-WBL](#) [TIGA6M-6S-BL-NBL](#) [TIGC54-6S-BL-MBL](#) [TIGA60-6M-BL-WBL](#) [TIGA54-7S-BL-NBL](#) [TIGB54-6S-BL-NBL](#)  
[TIHK63-1S-BL-FN](#) [TIGK50-1C-BL-NBL](#) [TIHL61-1S-BL-FN](#) [TIGA91-6S-BL-NBL](#) [TIGC721-6M-BL-WBL](#) [TIHM51-1L-](#)  
[BL-FW](#) [TIGC5R-6S-BL-WBL](#) [TIGC51-1C-BL-A](#) [TIHK51-1S-BL-FW](#)